



## Specifications for "F" Connectors

F style connectors are the least expensive, general purpose connectors with non-constant impedance for use at 500 volts or less, and for use with low frequencies to 500Mhz. These coaxial connectors are widely used in Cable TV, MATV, CCTV, and related consumer television products. They are available in a limited selection to fit various cable sizes. **NOTE: See V-Bite 861V509ER6 -40dB @ 2.3GHz**

### MATERIALS

Connector Parts	Material
Connector Body and Parts	Brass
Male Contact Pin	Brass
Insulators	Polypropylene
Plating	Nickel
Ferrule	Annealed Copper

### ELECTRICAL

Requirement	Performance
Impedance	Non Constant
Frequency Range	0-500MHz ***
VSWR	1.5 Max.
Working Voltage (At Sea level)	500V rms
Insulation Resistance	5000 Megohm Min.
Contact Resistance	3 mW Max.
Test Voltage	1000V r.m.s

\*\*\* See V-Bite 861V509ER6 -40dB @ 2.3GHz

### MECHANICAL & ENVIRONMENTAL

Requirement	Performance
Durability	500 Matings
Shock	30 G
Cable Retention	40 Lbs. Min.
Temperature Range	-40 to +65°C.
Moisture Range	Continuous Test

## "F" Connectors

### Plugs, Jacks, Adapters

F type plugs are available in three different crimp styles: two piece with separate ferrules, one piece crimp with a short crimp body and a one piece crimp with a long body. Also, a twist-on type for tool-less installations. Jacks for bulkhead, inline, or PC board, and a variety of adapters are all machined brass construction.

Part Number	Description	RG/U Cable	Fig. No.							
810A209A	2 Piece Crimp Plug, Short Ferrule	6	117							
810A209D	2 Piece Crimp Plug, Short Ferrule	11	117							
810A209G	2 Piece Crimp Plug, Short Ferrule	59	117							
810B209G	2 Piece Crimp Plug, Long Ferrule	59	118							
810D209A	2 Piece Crimp Plug, Short Ferrule	6	119							
810A209MV	4 Pc Crimp Mini Coax. Uses BD11007 Tool	174	117A							
810D209D	1 Piece Crimp Plug, Short Ferrule	11	119							
810D209G	1 Piece Crimp Plug, Short Ferrule	59	119							
810E209A	1 Piece Crimp Plug, Long Ferrule	6	120							
810E209D	1 Piece Crimp Plug, Long Ferrule	11	120							
810E209G	1 Piece Crimp Plug, Long Ferrule	59	120							
810A409A	Twist-On	6	121							
810A409G	Twist-On	59	121							
810P209A	Push-On	6	122							
810P209G	Push-On	59	122							
816B519	Male Bulkhead Receptacle. 3/8-32 THD I.D.	Any	130A							
826B519	Bulkhead Jack, Solder Tab	Any	123							
832A519N	Inline Female/Female W/Nut & Washer	N/A	124							
830A509	Inline, Male/Male	N/A	125							
831B509	Inline Female/Male Push-On	N/A	125A							
832A519	Inline Female/Female	N/A	126							
843A509	"T" Adapter, Female/Male/Female	N/A	127							
845A509	"T" Adapter, Female/Female/Female	N/A </tr <tr> <td>851A509</td> <td>Right Angle Adapter, Male/Female</td> <td>N/A</td> <td>129</td> </tr> <tr> <td>F0884</td> <td>75 Ohm Male Terminator</td> <td>N/A</td> <td>130</td> </tr>	851A509	Right Angle Adapter, Male/Female	N/A	129	F0884	75 Ohm Male Terminator	N/A	130
851A509	Right Angle Adapter, Male/Female	N/A	129							
F0884	75 Ohm Male Terminator	N/A	130							

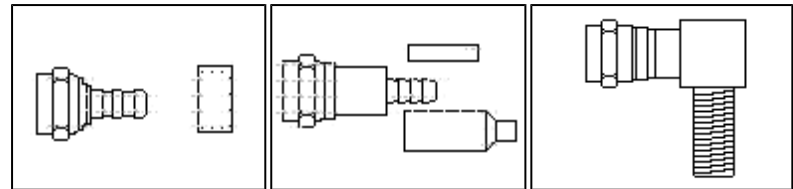


Fig. 117

Fig. 117A

Fig. 118

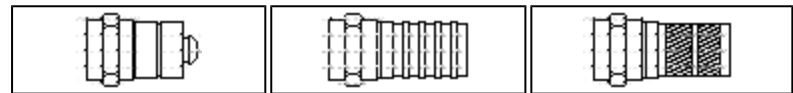


Fig. 119

Fig. 120

Fig. 121

Also See Push-EZ™ Next Page

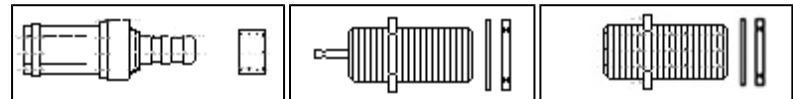


Fig. 122

Fig. 123

Fig. 124

### Adapters & Terminators

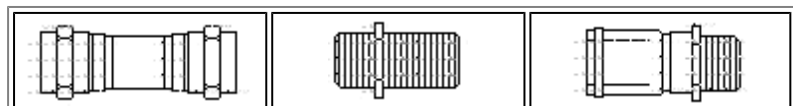


Fig. 125

Fig. 126

Fig. 125A

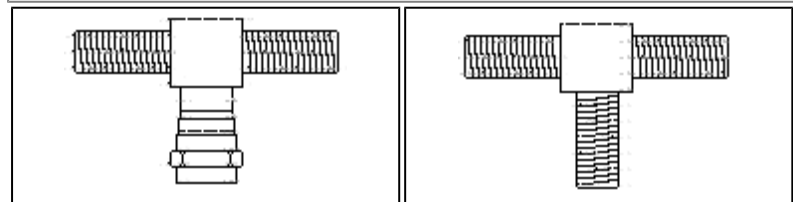
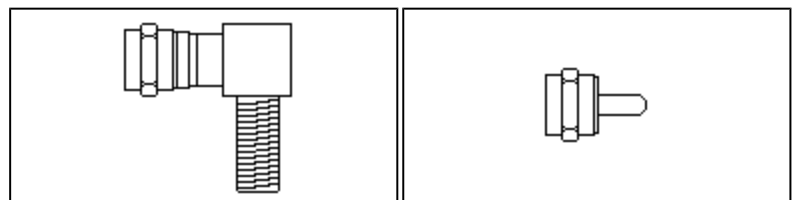


Fig. 127

Fig. 128

This recessed male acts as a jack & allows for a replaceable female end by using a 832A519 adapter. Also, this can be used to accommodate any adapter with a female F interface on one side. The other end can be BNC, TNC, or any style available. (See adapter pages)



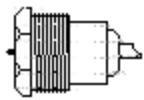
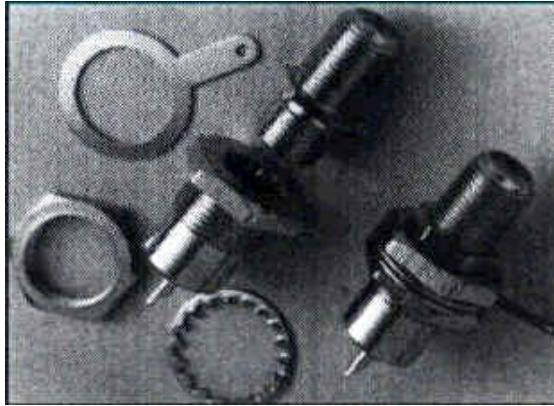


Fig. 130A2

3/8 - 32 Internal Thd. 1/2 - External Thd.



FOR TECHNICAL SUPPORT: PHONE 973-347-4040 / FAX 973-347-2111

[back to index](#)

## Push EZ™ “F” Plugs With LIFT™

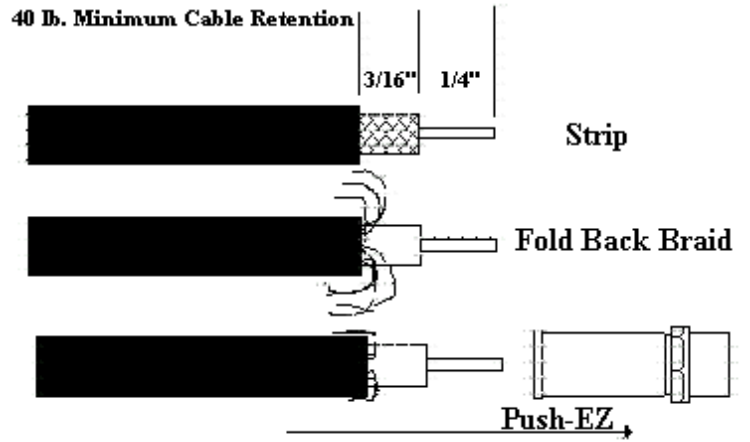
Bomar’s exclusive LIFT® Technology (Low Insertion Force Termination) is used in the patented Push-EZ™ connector. It installs by simply stripping the cable and inserting it into the connector. That’s it. And it will not pull out.

**No crimp tooling required.**



Part Number	Description	RG/U Cable	Body Plating
810PE209A	Push-EZ™ Plug with LIFT® Technology	6	Nickel

810PE209G	Push-EZ™ Plug with LIFT® Technology	59	Nickel
810PE205A	Push-EZ™ Plug with LIFT® Technology	6	Gold
810PE205G	Push-EZ™ Plug with LIFT® Technology	59	Gold



## PC Board Connectors

Part Number	Description	RG/U	Fig. Cable No.
861A509	PC Board Jack, Vertical	N/A	131
861V509E	V-Bite™ Edge Mount PC Jack	N/A	131V
861V509ER	V-Bite™ Reflow Type w/ TFE Insulator RG59	N/A	131V
861V509ER6	V-Bite™ Reflow Type w/ TFE Insulator RG6/59	N/A	----
864B509	PC Board Jack, Right Angle, Long	N/A	132
864B509S	PC Board Jack, Right Angle, Short	N/A	133
866B509	PC Board Male, Right Angle The Eliminator™	N/A	136B

Fig. 135F



Fig. 131



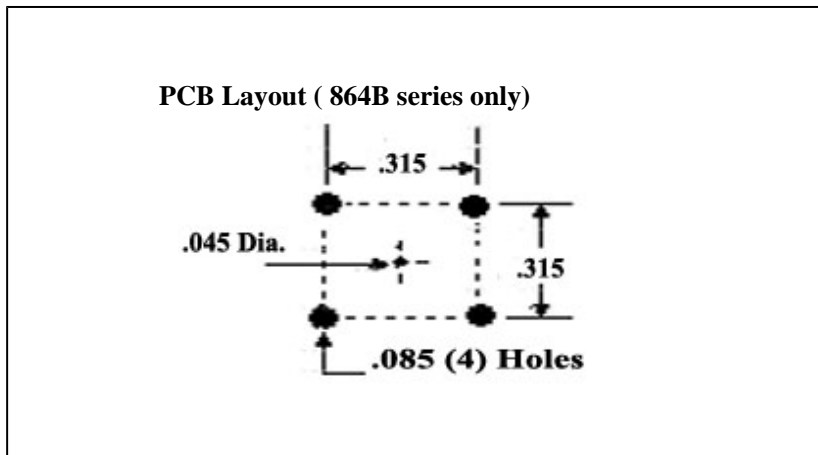
Fig. 132



Fig. 133

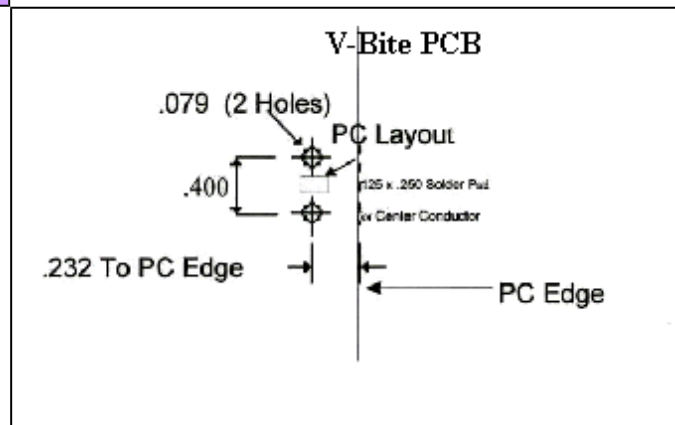


Fig. 135B



## The V-Bite™

V-Bite™ Mounts on the PC board edge and is extremely anti-rotational. It locks into the board for soldering. Available in reflow soldering version.



2737

FOR TECHNICAL SUPPORT: PHONE 973-347-4040 / FAX 973-347-2111

[back to index](#)

26