

Timers for mounting installation plan 25x32 Variable timing, 0,1 to 15 s Positive output Part number 81503710

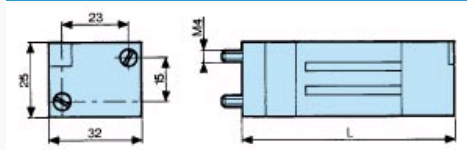

■ xxx

	Type	Code
81503540	Fixed timing, Positive output	81503540
81503710	Variable timing, 0,1 to 15 s Positive output	81503710
81506710	Variable timing, 0,1 to 15 s Negative output	81506710
81503720	Variable timing, Positive output 0,1 to 30 s	81503720
81506720	Variable timing Negative output 0.1 to 30 s	81506720

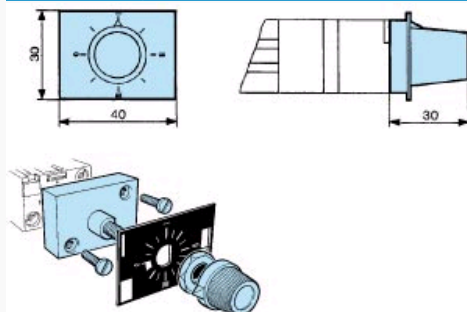
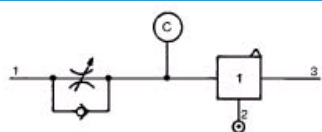
Symbol

Operating pressure (bar)	2 →8
Flow at 6 bars NI/min	170
Orifice diameter mm	2,7
Accuracy %	±5
Reset min. time S	<0,1
Operating temperature (° C)	-5 +50
Connection - Sub-base	■
Mechanical life (operations)	>10 ⁷
Weight (g)	90

Panel mounting adaptor	Weight (g)
79451698	53

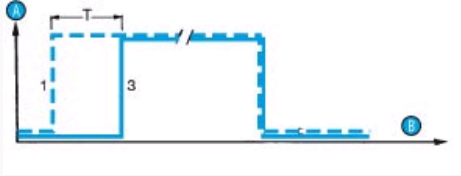
Dimension Diagram :


References	L max. (mm)
81 503 710	78

Dimension Diagram : Adaptor 79 451...

: Timing by charging of reservoir


The reservoir fills via the flow restrictor until the switching pair of the timer output is reached (positive or negative).
The non-return valve allows the reservoir to be emptied rapidly for the next timing.

Curves : *** TRADUCTION MANQUANTE ***



N°	Legend
----	--------

- A
- B