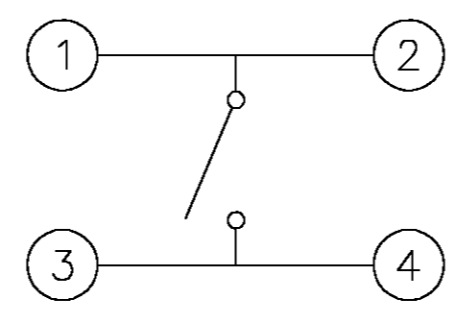
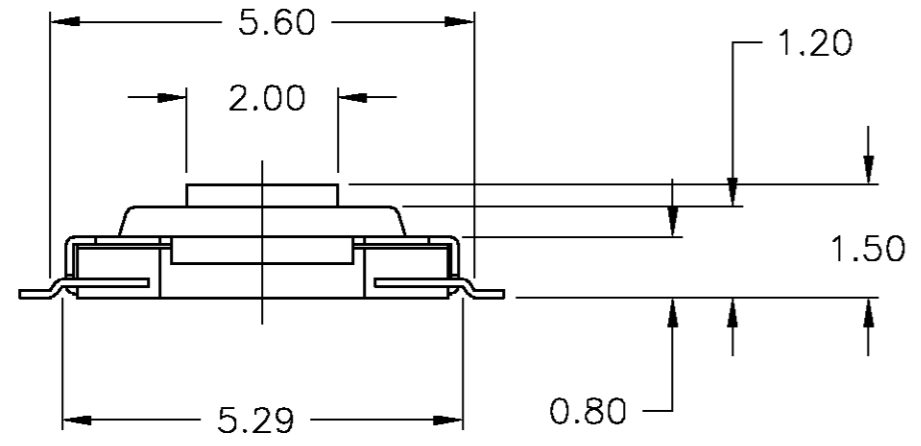
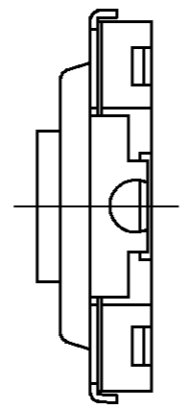
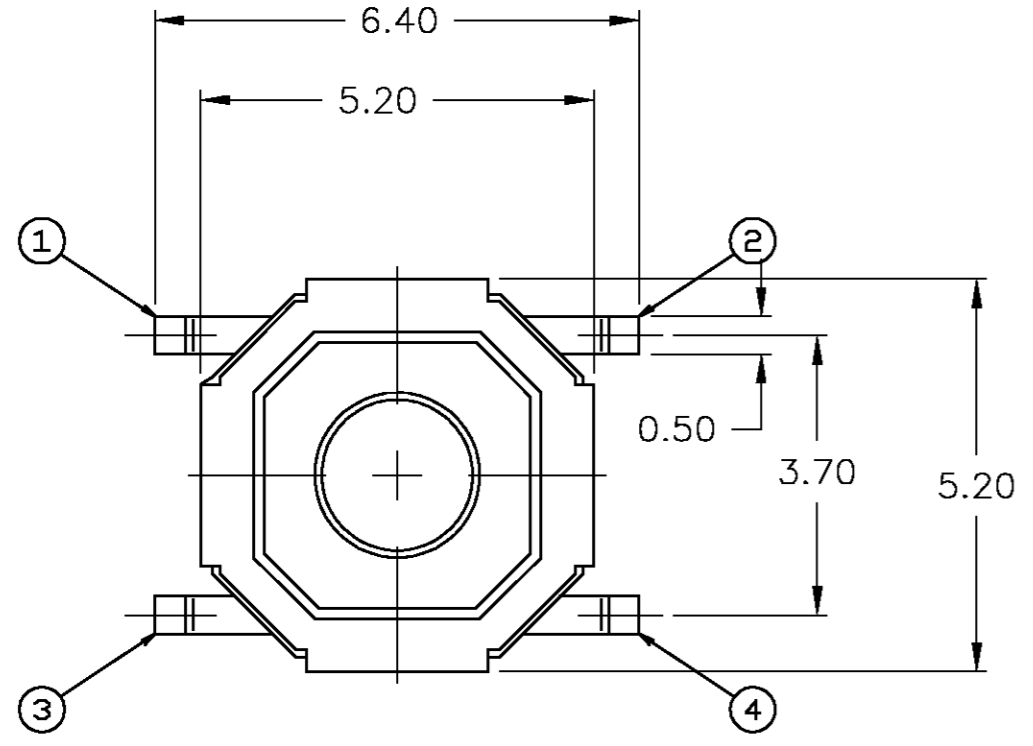
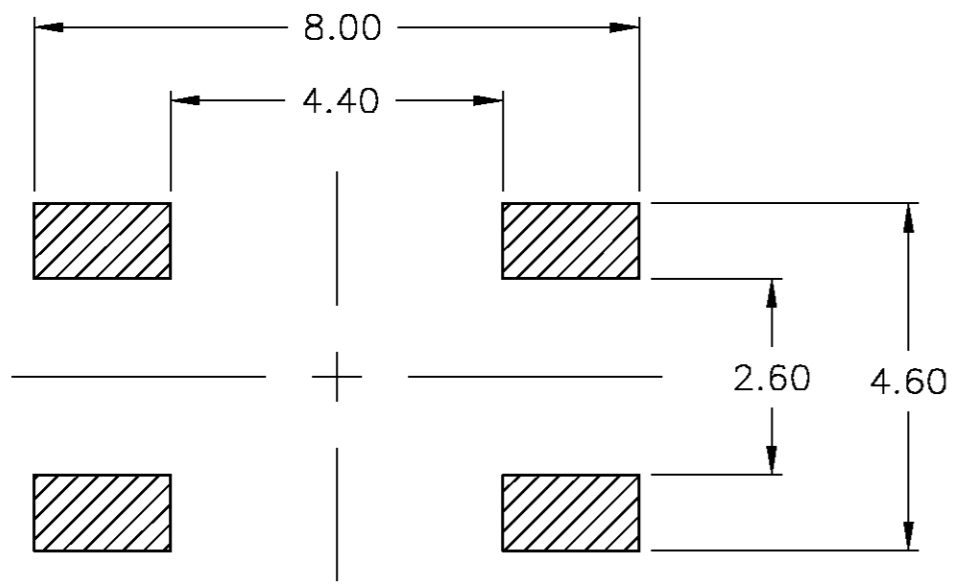


THIS DRAWING IS UNPUBLISHED. RELEASED FOR PUBLICATION
 © COPYRIGHT BY TYCO ELECTRONICS CORPORATION. ALL RIGHTS RESERVED.

LOC		DIST		REVISIONS			
P	LTR	DESCRIPTION		DATE	DWN	APVD	
E		REV PER EC 0G3C-547-03		23MAR04	MB	MS	



CIRCUIT DIAGRAM



P.C. BOARD LAYOUT

MATERIALS:

CASE: NYLON- 4/6 UL94V-0, COLOR- SEE CHART
 COVER: STAINLESS STEEL
 ACTUATOR BUTTON: COPPER ALLOY
 MOVING CONTACT: STAINLESS STEEL, SILVER CLAD/ NICKEL
 FIXED CONTACT/TERMIAL: COPPER ALLOY, SILVER/NICKEL PLATE

ELECTRICAL:

CONTACT RATING: 20mA @ 15 VDC
 INITIAL CONTACT RESITANCE: 100 MILLIOHMS MAX
 INSULATION RESISTANCE: 100 MEGAOHMS @ 100 VDC MIN
 DIELECTRIC STRENGTH: 500 VDC
 LIFE EXPECTANCY: SEE TABLE

MECHANICAL:

ACTUATION FORCE: SEE TABLE
 ACTUATION TRAVEL: 0.25 +0.1/-0.2

ENVIROMENTAL:

OPERATING TEMPERATURE: -4°F TO 158°F (-20°C TO 85°C)
 STORAGE TEMPERATURE: -22°F TO 176°F (-30°C TO 80°C)

1. TAPE AND REEL PER EIA 481
 3,000 PCS, PER REEL, TAPE WIDTH 12.00MM, PITCH 8.00MM

UP TO 500,000	FSMCTATR	260±50gf	BLACK	8-1437565-1
UP TO 1,000,000	FSMCTTR	160±50gf	IVORY	8-1437565-0
LIFE CYCLES	FORMER T&B PART	ACTUATION FORCE	CASE COLOR	PART NUMBER
THIS DRAWING IS A CONTROLLED DOCUMENT.		DWN M.BINNER 18MAR04	Tyco Electronics Corporation Harrisburg, Pa 17105-3608	
DIMENSIONS: mm		CHK M.SARVER 23MAR04	NAME MICRO MINIATURE PUSHBUTTON SWITCH	
TOLERANCES UNLESS OTHERWISE SPECIFIED:		APVD M.SARVER 23MAR04	SIZE CAGE CODE DRAWING NO RESTRICTED TO	
0 PLC ± -		PRODUCT SPEC	A2 00779 C=8-1437565-0	
1 PLC ± -		APPLICATION SPEC	SCALE 1:1 SHEET 1 OF 1 REV E	
2 PLC ± .20				
3 PLC ± -				
4 PLC ± -				
ANGLES ± 1°				
FINISH		WEIGHT -		
		CUSTOMER DRAWING		

8-1437565-0

A