

# 1 ROCKER SWITCHES

## General Purpose Rockette Switches — AC Rated

### DESCRIPTION

These rocker switches offer the widest selection of features available, providing the design flexibility needed to fill the requirements of a variety of applications. They are available in two versions: standard and sealed.

The Sealed Rockette features a silicone rubber seal that protects contacts and mechanisms. All switches resist contaminants such as sand, dust and moisture with both a base-to-frame seal and an actuator seal. Non-illuminated and illuminated versions are available. For Sealed Rockette Selection Table, see page 1.24.

### SPECIFICATIONS

See selection tables.

### Circuits:

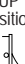
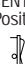
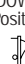
See selection tables.

### HOW TO ORDER — STANDARD ROCKETTE SWITCHES

To determine your Complete Catalog Number, you must start with the appropriate Base Circuit Number and add the appropriate Code Letters and/or Numbers as in the example below:

Start with this Base Circuit Number	...add each appropriate Code Number or Letter...				...to get to your Complete Catalog Number
Base Circuit Catalog Number	Mounting Frame	Rocker or Paddle Style	Rocker or Paddle Color	Terminal Type	Complete Catalog Number
8134K21	A	1	M	50	8134K21A1M50

### STANDARD ROCKETTE SWITCHES SELECTION TABLE (BOLD FACE TYPE INDICATES ITEMS NORMALLY IN DISTRIBUTOR STOCK)

Rating	Poles and Throw	Circuit with Rocker in			CIRCUIT NUMBER SEE PAGE 4.28	BASE CIRCUIT NUMBER ❶	CODE LETTERS AND NUMBERS — ADD TO BASE CIRCUIT NUMBER							
		UP Position	CENTER Position	DOWN Position			Mounting Frame Type		Rocker or Paddle Style		Rocker or Paddle Color		Terminal Type	
							Frame Type	Code	Style	Code	Color	Code	Type	Code
6A, 125V ac 3A, 250V ac	1 P.S.T.	ON ON*	NONE NONE	OFF OFF	A	8134K21 ❷ 8135K21	See Frame Type On Pages 1.22-1.23	A B C X	See Style On Page 1.23	1 2 ❸ 5 ❸ 19 ❸ 26 ❸	White Red Black	M T V	Screw Solder Lug .250" Spade	50 51 52
15A, 125V ac 10A, 250V ac 3/4 Hp, 250V ac	1 P.S.T.	ON ON*	NONE NONE	OFF OFF	A	8144K21 8145K21								
	1 P.D.T.	ON ON*	OFF NONE OFF	ON ON ON*	B	8144K20 8144K22 8146K20								
1000W, 125V ac 10A, 250V ac	1 P.D.T.	ON	OFF	ON	B	8151K20								
6A, 125V ac 3A, 250V ac	2 P.S.T.	ON	NONE	OFF	C	8132K21 ❹								
	2 P.D.T.	ON ON ON*	OFF NONE OFF	ON ON ON*	D	8132K20 ❹ 8132K22 ❹ 8138K20 8138K30								
15A, 125V ac 10A, 250V ac 3/4 Hp, 250V ac	2 P.S.T.	ON ON*	NONE NONE	OFF OFF	C	8142K21 8147K21								
	2 P.D.T.	ON ON ON*	OFF NONE OFF	ON ON ON*	D	8142K20 8142K22 8148K20 8148K30								
1000W, 125V ac 10A, 250V ac	2 P.S.T.	ON	NONE	OFF	C	8150K21								
	2 P.S.T.	ON	NONE	OFF	C	8155K21								
20A, 250V ac	2 P.D.T.	ON ON	OFF NONE	ON ON	D	8155K20 8155K22								
	4 P.D.T.	ON	OFF	ON	F	8130K20 ❺								
6A, 125V ac 3A, 250V ac	4 P.S.T.	ON	NONE	OFF	E	8140K21								
15A, 125V ac 10A, 250V ac ❷ 3/4 Hp, 250V ac	4 P.D.T.	ON ON	OFF NONE	ON ON	F	8140K20 8140K22								

\*Momentary contact.

❶ Add code letters and numbers for mounting frame, rocker style and color and terminal construction.

❷ These switches also have marked rating of 7A, at 277V ac and 3/4 Hp at 277V ac.

❸ Also rated 3/4 Hp at 125V ac.

❹ Recommended for use with snap-in mounting.

❺ Can not be used with snap-in mounting bezel.

❻ Also rated 2A, 277V ac; 2.5A, 125V ac.

❼ Also rated 2.5A, 125V ac; 1/4 Hp, 125V ac.

**Contact Mechanism:**

Slow-make/Slow-break contact mechanism.

Butt action contact mechanism designed specifically for use on ac and low voltage dc applications

**Contact Material:**

*3-6A Rated:*

Movable — Silver plated copper.

Stationary — Silver plated copper.

*10-15A Rated:*

Movable — Silver-plated copper with fine or coin silver contact face button.

Stationary — Copper with fine or coin silver contact face button.

*20A Rated:*

Movable — Silver plated copper with cad-oxide contact face button.

Stationary — Copper with cad-oxide contact face button.

*1000W Rated:*

Movable — Checon SK015B contact material welded to contactor.

Stationary — Copper with cad-oxide contact face button.

**Terminal Types:**

Screw Terminals — Brass designed to accept #6-32 x 3/16 binding head screws (Cat. No. 811-2) Furnished unassembled.

**Solder Lug:**

6.35mm (.250") spade.

**Termination Material:**

Screw and Spade — Brass.

Solder — Tintillate plated brass.

**Lamps (Sealed Only):**

**Voltages:**

110V ac neon, 14V dc and 28V dc.

On illuminated version, the lamp is wired to operate in conjunction with the switch on single throw circuit; on double throw circuits, the lamp is independent of the switch.

**Mounting:**

Flush (two screws), sub-panel and snap-in mounting.

**Snap-In Mounting**

- Convenient front panel or sub-panel snap-in mounting.
- Available in one and two pole non-illuminated or in one pole illuminated Rockette switches. Contact your Eaton Sales Representative for three and four pole circuits.
- Unless otherwise noted, all switches with Snap-in Mounting are UL Recognized and CSA Certified.

**Dielectric Withstand:**

1000V RMS minimum.

**Options:**

**Standard and sealed**

- Additional colors of rockers and bezels are available.
- Hot stamped or pad printed legends on rocker and bezel.
- Paddle actuators.
- Single rocker operator on two and three pole circuits.
- Dry circuits capabilities.
- Special ratings.
- Reversing jumpers.
- Dead back cover (two pole base) with wire leads.
- Special circuits.
- Printed circuit terminals and other terminals types.
- Metal Snap-in bezels.
- Foam dust seal.

**Sealed only**

- Special voltage bulbs.
- Industry standard connector available.
- Two pole illuminated circuit.

**Agency Approvals:**

UL Recognized.  
CSA Certified.



8144K21H1V52  
Standard Rockette



8132K21F7N52  
Standard Rockette



8132K21Z37V52  
Standard Rockette with Snap-In Mounting



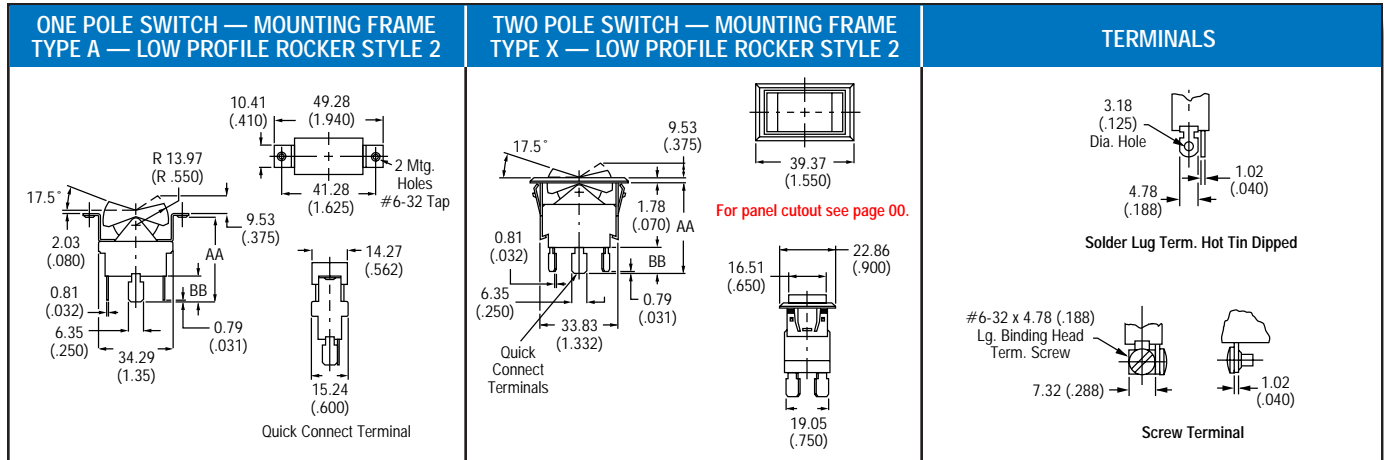
8057K23Z18V2  
Sealed Rockette

# 1 ROCKER SWITCHES

## General Purpose Rockette Switches — AC Rated (continued)

**BASE SWITCH DIMENSIONS** APPROXIMATE IN MM (INCHES). FOR "AA" AND "BB" DIMENSIONS SEE REFERENCE TABLES BELOW.

\*ADDITIONAL MOUNTING FRAME TYPES AND ROCKER STYLES ARE SHOWN ON PAGE 1.23



### REFERENCE DIMENSION "AA" — TOP OF FRAME TO BOTTOM OF TERMINAL

(FROM BOTTOM OF FRAME TO BOTTOM OF TERMINAL ON SNAP-IN-FRAME TYPES)

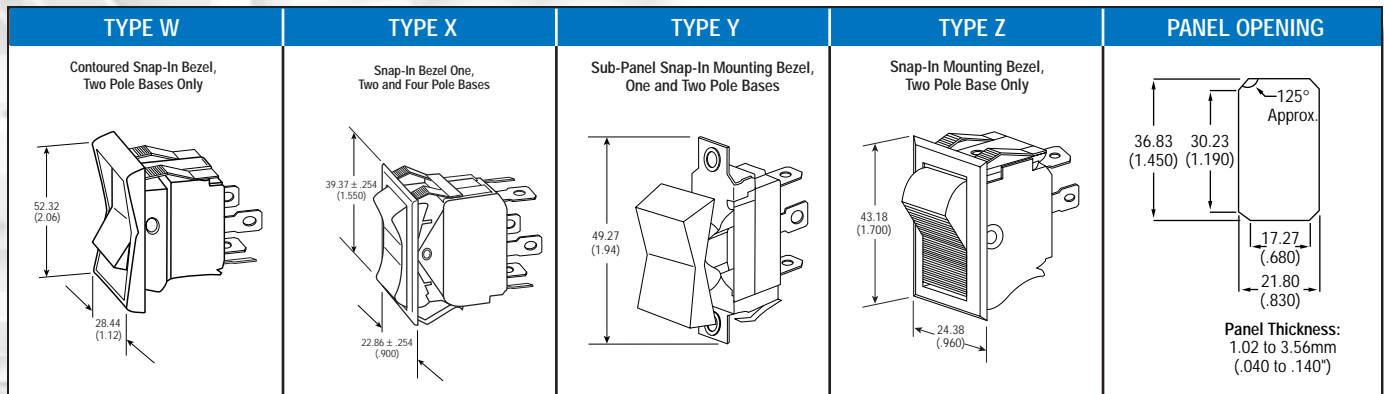
Terminal Type	Dimension "AA" — mm (inches)			
	Frame Style			
	ONE POLE			
	A	B	C	X
Screw	35.74 (1.407)	24.23 (.954)	24.23 (.954)	36.83 (1.450)
Solder Lug	34.54 (1.360)	23.04 (.907)	23.04 (.907)	33.78 (1.330)
.250" Spade	38.89 (1.531)	27.38 (1.078)	27.38 (1.078)	38.35 (1.510)
	TWO POLE			
	E	F	G	W
Screw	35.31 (1.390)	26.62 (1.048)	26.62 (1.048)	34.82 (1.371)
Solder Lug	34.54 (1.360)	25.86 (1.018)	25.86 (1.018)	34.06 (1.341)
.250" Spade	38.86 (1.530)	30.18 (1.188)	30.18 (1.188)	38.38 (1.511)
	TWO POLE			FOUR POLE
	X	Y ①	Z	H
Screw	35.31 (1.390)	24.23 (.954)	34.82 (1.371)	35.74 (1.407)
Solder Lug	34.54 (1.360)	23.47 (.924)	34.06 (1.341)	34.54 (1.360)
.250" Spade	38.86 (1.530)	27.79 (1.094)	38.38 (1.511)	38.89 (1.531)

### REFERENCE DIMENSION "BB" — BOTTOM OF BASE TO BOTTOM OF TERMINAL

Terminal Type	Dimension "BB" mm (inches)	
	TERMINAL TYPE	
Screw	7.62 (.300)	
Solder Lug	6.86 (.270)	
.250" Spade	11.18 (.440)	

① The "AA" dimension on frame style Y is measured from the bottom of the frame rivet head to the bottom of the center terminal.

### SNAP-IN MOUNTING DIMENSIONS APPROXIMATE IN MM (INCHES)



**DIMENSIONS** APPROXIMATE IN MM (INCHES)  
**FRAME TYPES AND ROCKER/PADDLE STYLES FOR STANDARD SWITCHES — NON-ILLUMINATED**

1

ONE POLE MOUNTING FRAME TYPES				
<b>TYPE A</b> 		<b>TYPE B</b> 		<b>TYPE C</b> 
ONE POLE ROCKER STYLES				
<b>STYLE 1</b> 	<b>STYLE 2</b> 	<b>STYLE 5</b> 	<b>STYLE 19</b> 	<b>STYLE 26</b> 

TWO POLE MOUNTING FRAME TYPES			
<b>TYPE E</b> 	<b>TYPE F</b> 	<b>TYPE G</b> 	<b>STYLE 37 WITH TYPE X</b> <p>Mounting type recommended with this style</p>
TWO POLE ROCKER STYLES			
<b>STYLE 6</b> 	<b>STYLE 7</b> 	<b>STYLE 20</b> 	

FOUR POLE MOUNTING FRAME TYPE	FOUR POLE ROCKER STYLE
<b>TYPE H</b> 	<b>STYLE 14</b> 

**REFERENCE DIMENSION "CC" — TOP OF FRAME TO ROCKER OR PADDLE FACE** APPROXIMATE IN MM (INCHES)

Mounting Frame Type												
Rocker Style	ONE POLE				Recommended Panel Opening	TWO POLE				Recommended Panel Opening	FOUR POLE	
	A	B	C	Rocker Style		E	F	G	Rocker Style		H	Recommended Panel Opening
1	2.03 (.080)	13.46 (.530)	13.46 (.530)	17.53 x 31.75 (.690 x 1.250)	6	2.03 (.080)	10.67 (.420)	10.67 (.420)	17.53 x 31.75 (.690 x 1.250)	14	2.03 (.080)	34.04 x 31.75 (1.340 x 1.250)
2	2.03 (.080)	13.46 (.530)	13.46 (.530)	15.24 x 28.96 (.600 x 1.140)	7	2.03 (.080)	10.67 (.420)	10.67 (.420)	17.53 x 31.75 (.690 x 1.250)			
5	4.32 (.170)	15.75 (.620)	15.75 (.620)	17.53 x 31.75 (.690 x 1.250)	20	N/A	10.67 (.420)	10.67 (.420)	N/A			
19	N/A	12.70 (.500)	12.70 (.500)	N/A	37	N/A	N/A	N/A	N/A			
26	N/A	12.70 (.500)	12.70 (.500)	N/A								

N/A = Not Applicable.

# 1 ROCKER SWITCHES

## General Purpose Rockette Switches — AC Rated (continued) Sealed Rockette

### HOW TO ORDER — SEALED ROCKETTE SWITCHES

To determine your **Complete Catalog Number**, you must start with the appropriate **Base Circuit Number** and add the appropriate **Code Letters** and/or **Numbers** as in the example below:

Start with this <b>Base Circuit Number</b>	...add each appropriate <b>Code Number or Letter...</b>					...to get to your <b>Complete Catalog Number</b>
Base Circuit Catalog Number	Mounting Frame	Bulb Voltage	Rocker Style	Rocker Color	Lens Color	Complete Catalog Number
<b>8055K20</b>	<b>X</b>	<b>3</b>	<b>5</b>	<b>M</b>	<b>1</b>	<b>8055K20X35M1</b>

### SEALED ROCKETTE SWITCHES SELECTION TABLE (BOLD FACE TYPE INDICATES ITEMS NORMALLY IN DISTRIBUTOR STOCK)

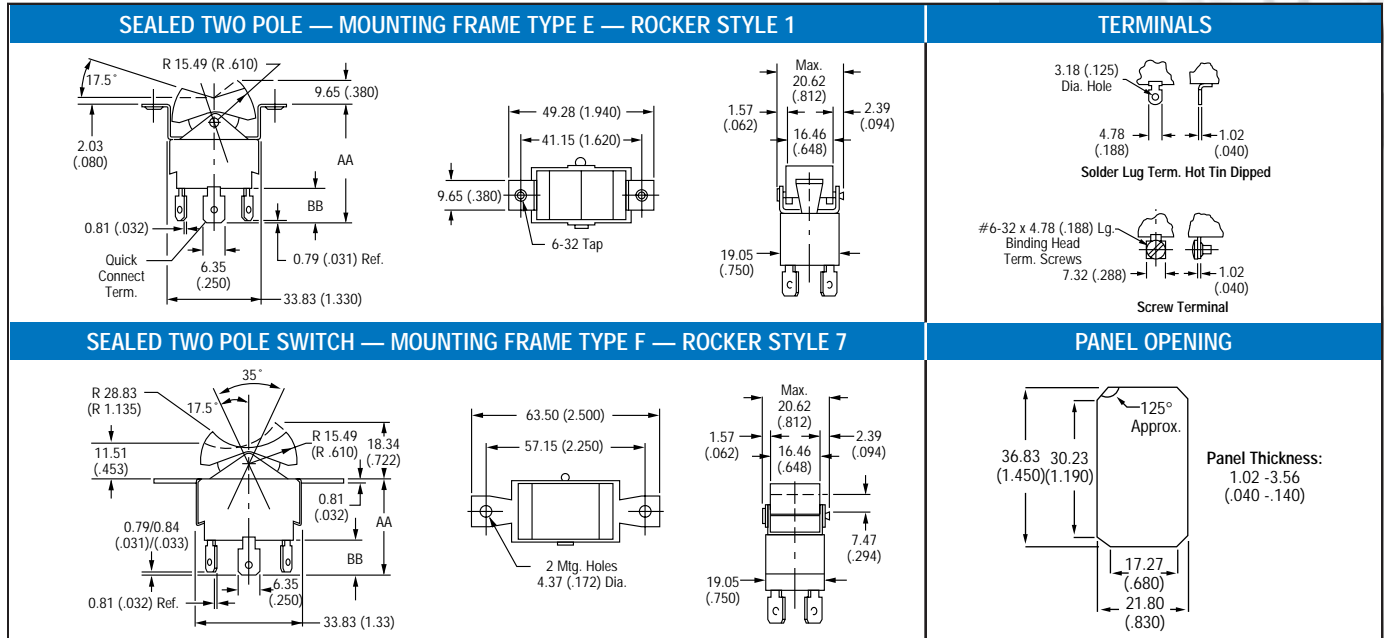
Rating	Poles and Throw	Circuit with Rocker in			CIRCUIT NUMBER SEE PAGE 4.28	BASE CIRCUIT			CODE LETTERS AND NUMBERS — ADD TO BASE CIRCUIT NUMBER																	
		UP Position	CENTER Position	DOWN Position		Termination Type			Mounting Frame		Bulb Voltage		Rocker Style ①		Rocker Color		Lens Color									
						.250" Spade Terminal	Solder Lugs	Screw Terminal	Frame	Code	Voltage Type	Code	Type	Code	Color	Code	Color	Code								
<b>NON-ILLUMINATED</b>																										
15A, 125V ac 10A, 250V ac 3/4 Hp, 250V ac	1 P.S.T.	ON	NONE	OFF	A	<b>8055K23</b>	8055K24	8055K25	See Frame Type On Pages 1.25-1.26	E	N/A	N/A	Two Face Serrated	1	White	M	N/A	N/A								
	1 P.D.T.	ON ON* ON*	OFF NONE OFF	ON ON ON*	B	8055K20 8055K26 8055K29 8055K32	8055K21 8055K27 8055K30 8055K33	8055K22 8055K28 8055K31 8055K34		F L																
15A, 125V ac 10A, 250V ac 3/4 Hp, 250V ac	2 P.S.T.	ON	NONE	OFF	C	<b>8055K43</b>	8055K44	8055K45		X									N/A	N/A	Three Face Smooth	2	Black	V	N/A	N/A
	2 P.D.T.	ON ON* ON*	OFF NONE OFF	ON ON ON*	D	8055K40 8055K46 8055K49 8055K52	8055K41 8055K47 8055K50 8055K53	8055K42 8055K48 8055K51 8055K54		W Z																
<b>ILLUMINATED</b>																										
15A, 125V ac 10A, 250V ac	1 P.S.T.	ON	NONE	OFF	G	<b>8057K23</b>	8057K24	8057K25		See Frame Type On Pages 1.25-1.26									E	Neon 110V	1	Serrated w/1 Lens	3	White	M	Clear
	1 P.D.T.	ON*	OFF	ON	H	8057K29	8057K30	8057K31	F		14V dc Filament	3	Smooth w/1 Lens	5	Black	V	Amber	4								
									X		28V dc Filament	4	Concave w/1 Lens	8					Blue			5				
									W Z																	

\*Momentary contact.

① See page 1.26.

## BASE SWITCH DIMENSIONS

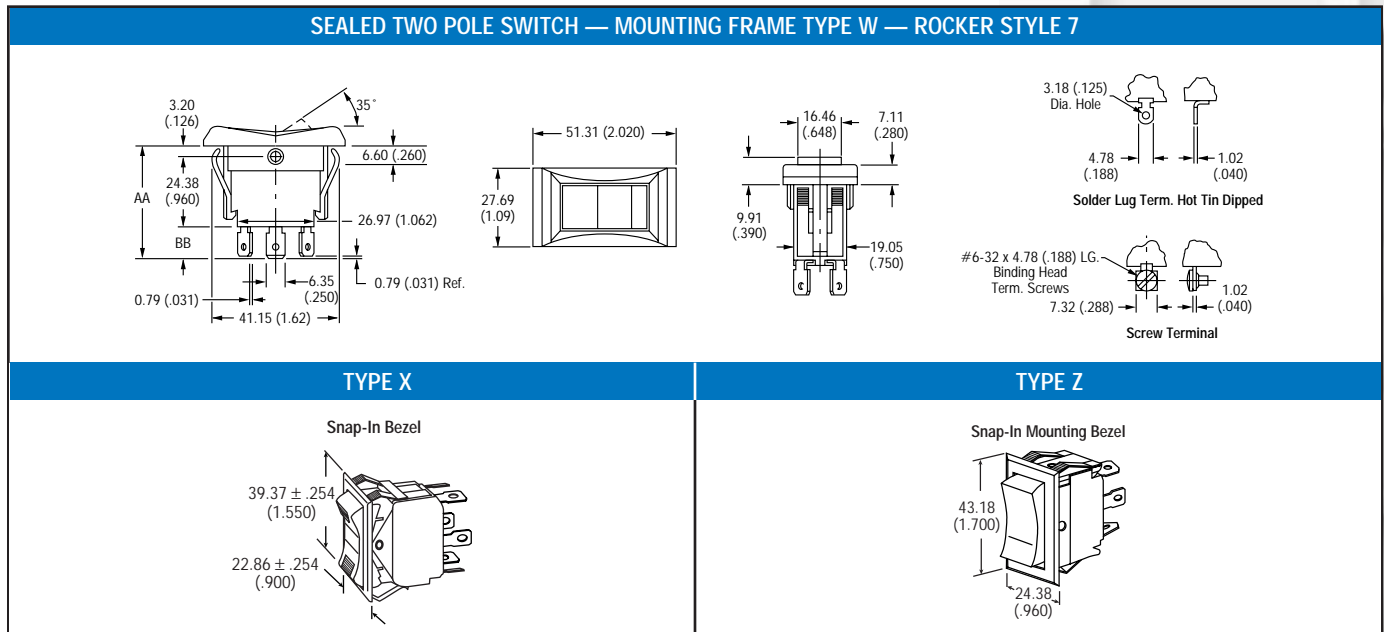
APPROXIMATE IN MM (INCHES) \*ADDITIONAL MOUNTING FRAME TYPES AND ROCKER STYLES ARE SHOWN ON PAGE 1.26.



1

## SNAP-IN MOUNTING FRAME DIMENSIONS

APPROXIMATE IN MM (INCHES) \*ADDITIONAL ROCKER STYLES ARE SHOWN ON PAGE 1.26.



## REFERENCE DIMENSIONS "AA" AND "BB"

APPROXIMATE IN MM (INCHES); FROM BOTTOM OF FRAME TO BOTTOM OF TERMINAL ON SNAP-IN-FRAME TYPES  
 DIMENSION "AA" — TOP OF FRAME TO BOTTOM OF TERMINAL; DIMENSION "BB" — FROM BOTTOM OF BASE TO BOTTOM OF TERMINAL

Terminal Type	DIMENSION "AA" (TWO POLE)						DIMENSION "BB"	
	E Frame	F Frame	L Frame	W Frame	X Frame	Z Frame	Terminal Type	All Frames
Screw	35.33 (1.391)	26.62 (1.048)	35.33 (1.391)	34.82 (1.371)	35.31 (1.391)	34.82 (1.371)	Screw	7.62 (.300)
Solder Lug	34.57 (1.361)	25.86 (1.018)	34.57 (1.361)	34.06 (1.341)	34.54 (1.361)	34.06 (1.341)	Solder Lug	6.86 (.270)
.250" Spade	38.89 (1.531)	30.18 (1.188)	38.89 (1.531)	38.38 (1.511)	38.89 (1.531)	38.38 (1.511)	.250" Spade	11.18 (.440)

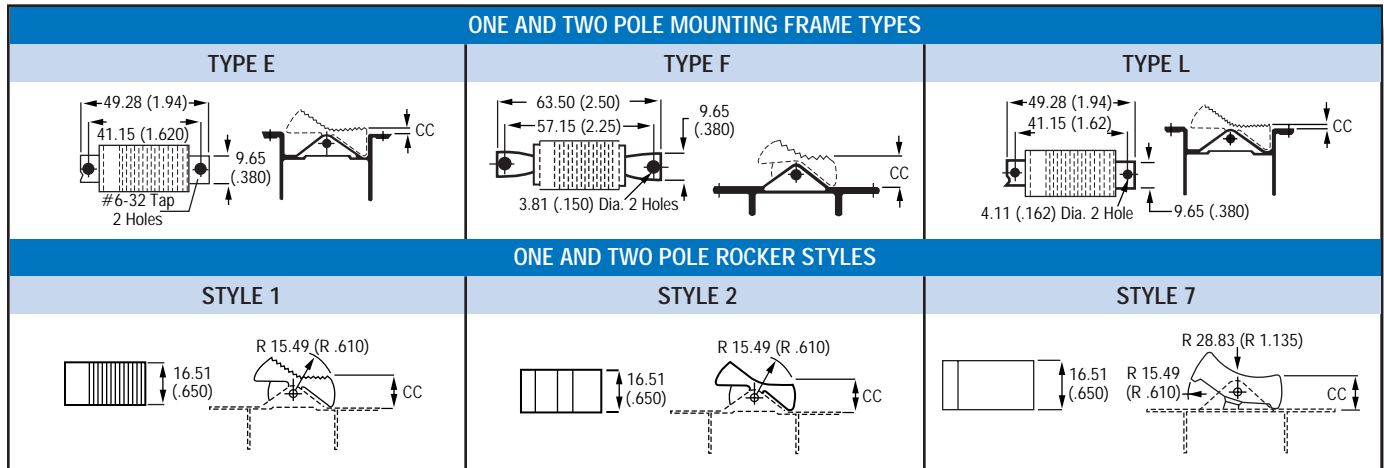


# 1 ROCKER SWITCHES

## General Purpose Rockette Switches — AC Rated (continued)

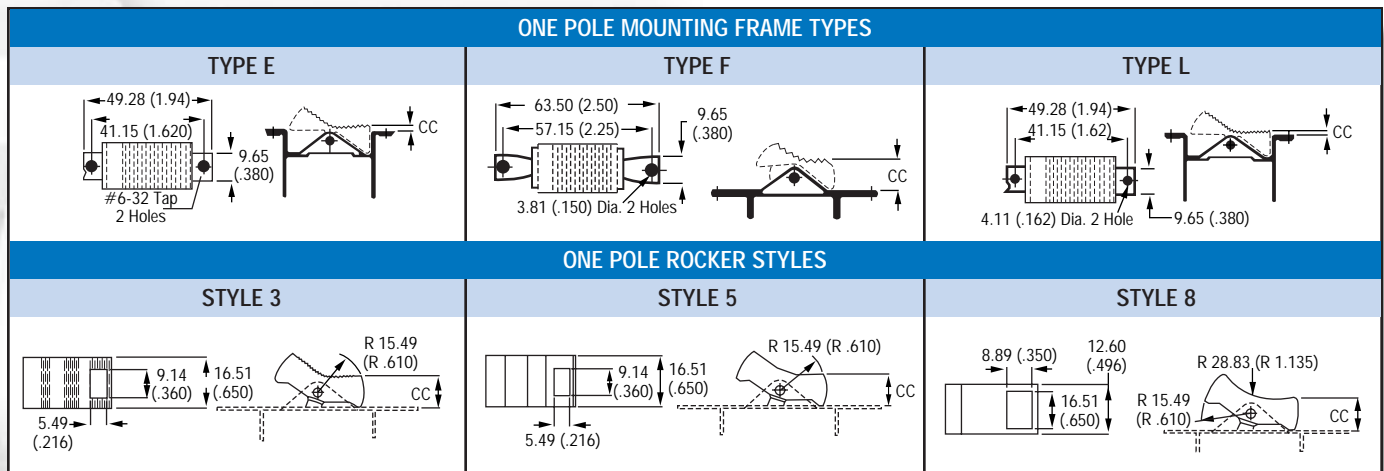
**DIMENSIONS** APPROXIMATE IN MM (INCHES)

### FRAME TYPES AND ROCKER STYLES FOR SEALED SWITCHES — NON-ILLUMINATED



**DIMENSIONS** APPROXIMATE IN MM (INCHES)

### FRAME TYPES AND ROCKER STYLES FOR SEALED SWITCHES — ILLUMINATED



**REFERENCE DIMENSION "CC"** APPROXIMATE IN MM (INCHES)

### TOP OF FRAME TO ROCKER FACE

Rocker Style	Mounting Frame Type				Rocker Style	Mounting Frame Type			
	ONE AND TWO POLE (NON-ILLUMINATED)					ONE POLE (ILLUMINATED)			
	E	F	L	Recommended Panel Opening	E	F	L	Recommended Panel Opening	
1	2.03 (.080)	10.67 (.420)	2.03 (.080)	17.53 x 31.75 (.690 x 1.250)	3	2.03 (.080)	10.67 (.420)	2.03 (.080)	17.53 x 31.75 (.690 x 1.250)
2	2.03 (.080)	10.67 (.420)	2.03 (.080)	17.53 x 31.75 (.690 x 1.250)	5	2.03 (.080)	10.67 (.420)	2.03 (.080)	17.53 x 31.75 (.690 x 1.250)
7	2.79 (.110)	11.43 (.450)	2.79 (.110)	17.53 x 31.75 (.690 x 1.250)	8	2.79 (.110)	11.43 (.450)	2.79 (.110)	17.53 x 31.75 (.690 x 1.250)