

Series 805 Mighty Mouse Triple-Start Plug Connector Ordering Information

805-001 and 805-002



Two Shell Styles: Integral platform for direct shield attachment using BAND-IT[®] termination system, or accessory thread for attaching a strain relief.

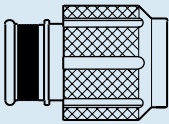
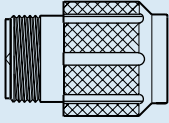
EMI Ground Spring provides low shell-to-shell resistance. This nickel-plated beryllium copper spring enables the Series 805 to meet greater than 60 dB shielding effectiveness from 100 MHz to 15 GHz.

Ratchet Mechanism for Secure Coupling:

Series 805 connectors feature a spring mechanism in the coupling nut that locks into radial teeth on the plug barrel. This feature allows the Series 805 to stay mated even when under high vibration, without the need for safety wire or torque tools.

HOW TO ORDER

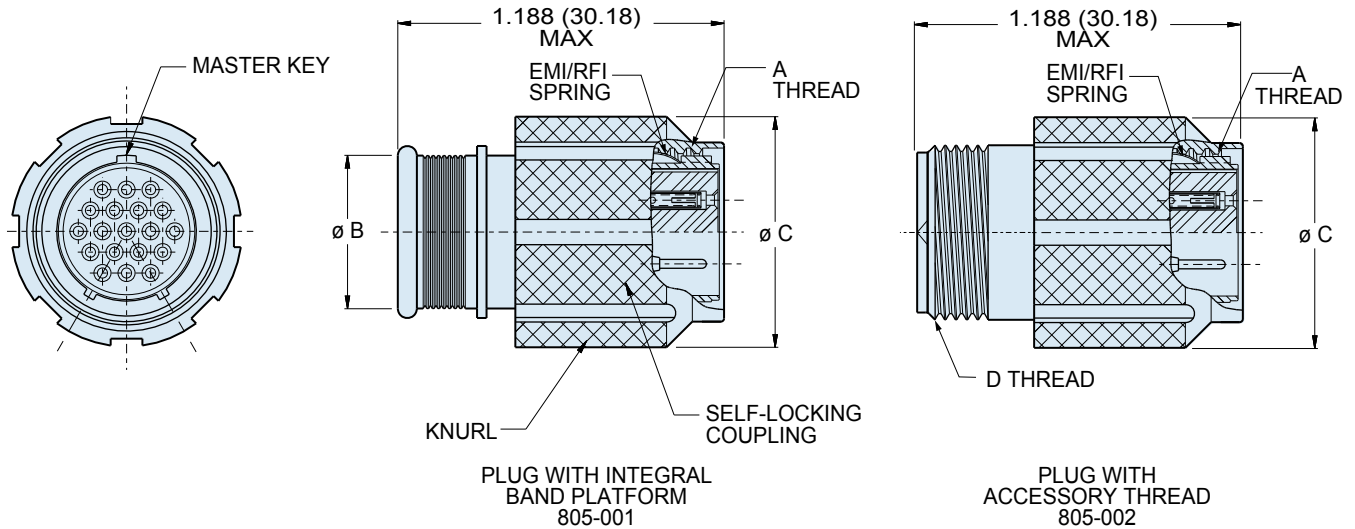
Sample Part Number

| 805-002 | -16 | M | 8-4 | P | A |
|---|--|--|---|---|---|
| Series | Shell Style | Shell Material / Finish | Shell Size- Insert Arrangement | Contact Type | Shell Key Position |
|  <p>805-001 Plug with Banding Platform</p> | <p>-16 Plug Connector with Ratcheting Anti-Decoupling Mechanism</p> | <p>C Aluminum / Black Anodize (Non-Conductive) RoHS Compliant</p> | <p>SEE CONTACT ARRANGEMENTS PAGE H-2</p> | <p>Connector supplied with contacts</p> | <p>A Position A (Normal)</p> |
|  <p>805-002 Plug with Accessory Thread</p> | | <p>M Aluminum / Electroless Nickel RoHS Compliant</p> | | <p>P Pin</p> | <p>B Position B</p> |
| | | <p>NF Aluminum / Cadmium with Olive Drab Chromate</p> | | <p>S Socket</p> | <p>C Position C</p> |
| | | <p>ZN Aluminum / Zinc-Nickel with Olive Drab Chromate</p> | | <p>Connector supplied without contacts</p> | <p>D Position D</p> |
| | | <p>ZNU Aluminum / Zinc-Nickel with Black Chromate</p> | | <p>A Pin Connector, less contacts</p> | |
| | | <p>MT Aluminum / Nickel-PTFE RoHS Compliant</p> | | <p>B Socket Connector, less contacts</p> | |
| | | <p>Z1 Stainless Steel / Passivated RoHS Compliant</p> | | <p>Connectors with contacts are supplied with signal and/or power crimp contacts. These contacts are not installed.</p> | |
| | | | | <p>Coaxial contacts and non-standard signal contacts are ordered separately.</p> | |

Dimensions in inches (millimeters) and are subject to change without notice.

Series 805 Mighty Mouse Triple-Start Plug Connector Dimensions

805-001-16 and 805-002-16



DIMENSIONS

| Shell Size | A Threads | Ø B | | Ø C | | D Threads Accessory |
|------------|----------------------|-------|-------|-------|-------|------------------------|
| | | In. | mm. | In. | mm. | |
| 8 | .5000-.1P-.3L-TS-2B | .317 | 8.05 | .691 | 17.55 | .3750-32 UNEF-2A |
| 9 | .5625-.1P-.3L-TS-2B | .397 | 10.08 | .787 | 19.99 | .4375-28 UNEF-2A |
| 10 | .6250-.1P-.3L-TS-2B | .473 | 12.01 | .826 | 20.98 | .5000-28 UNEF-2A |
| 11 | .6875-.1P-.3L-TS-2B | .519 | 13.18 | .916 | 23.27 | .5625-24 UNEF-2A |
| 12 | .7500-.1P-.3L-TS-2B | .585 | 14.86 | .982 | 24.94 | .6250-24 UNEF-2A |
| 15 | .9375-.1P-.3L-TS-2B | .687 | 17.45 | 1.097 | 27.86 | .7500-20 UNEF-2A |
| 18 | 1.1250-.1P-.3L-TS-2B | .884 | 22.45 | 1.290 | 32.77 | .9375-20 UNEF-2A |
| 19 | 1.1875-.1P-.3L-TS-2B | .884 | 22.45 | 1.310 | 33.27 | .9375-20 UNEF-2A |
| 23 | 1.4375-.1P-.3L-TS-2B | 1.135 | 28.83 | 1.562 | 39.67 | 1.1875-18 UNEF-2A |

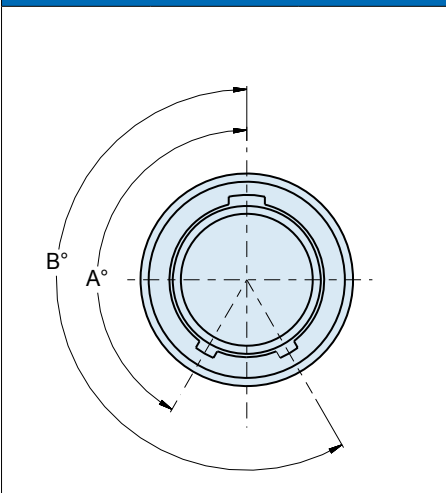
PERFORMANCE SPECIFICATIONS

| | |
|-----------------------|--|
| DWV | #23 500 VAC Sea level, #20HD 750 VAC, #12 AND #16 1800 VAC |
| Insulation Resistance | 5000 Megohms Minimum |
| Operating Temperature | -55° C. to +150° C. |
| Immersion, Mated | MIL-STD-810 Method 512. One Meter for One Hour. |
| EMI | 65 dB Minimum from 1 GHz. to 10 GHz. |

MATERIALS AND FINISHES

| | |
|-----------------------|---|
| Connector Shell | Aluminum or Stainless Steel |
| Insulator | Liquid Crystal Polymer (LCP) |
| Seals | Fluorosilicone Rubber, Blue |
| Pin Contact | Copper Alloy, Gold over Nickel Plating |
| Socket Contact | Copper Alloy, Gold over Nickel Plating, with SST Hood |
| Contact Retainer Clip | Beryllium Copper, Unplated |

SERIES 805 KEY POSITIONS



| Key Position | Key Rotation | |
|--------------|--------------|------|
| | A | B |
| Normal (A) | 150° | 210° |
| B | 75° | 210° |
| C | 95° | 230° |
| D | 140° | 275° |

Dimensions in inches (millimeters) and are subject to change without notice.