

**Series 804 Push-Pull Mighty Mouse  
PCB or Solder Cup Receptacle Ordering Information  
804-005, 804-020**



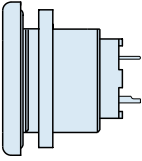
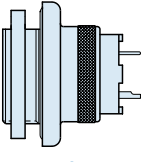
**Series 804 Printed  
Circuit Board Receptacle**

**Panel Mount Receptacles** feature factory-installed non-removable contacts. Choose solder cup or printed circuit board terminals. Available in front or rear panel mount versions.

**Water Immersion, Unmated**

Specify **8040-005** connectors for applications where open face water immersion is not a requirement. For MIL-STD-810 Method 512G immersion requirements, specify **804-020** watertight connectors. These 804-020 connectors are specially sealed ("MOD-518") and are 100% tested to maintain a helium leak rate of  $1 \times 10^{-4}$  cc/second at one atmosphere pressure differential from -40C to +70C.

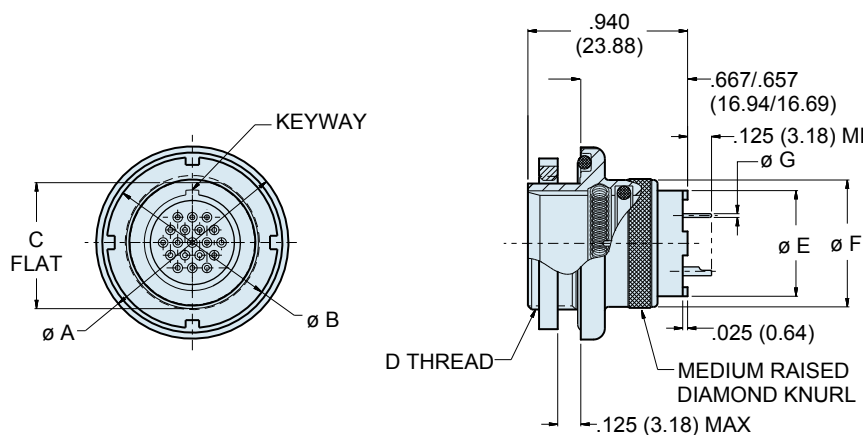
**HOW TO ORDER SERIES 804 PRINTED CIRCUIT BOARD RECEPTACLES**

Sample Part Number					
804-005	-07	NF	9-4	E	
Series	Shell Style	Shell Material / Finish	Shell Size- Insert Arrangement	Contact Type	Shell Key Position
<p><b>804-005</b> Receptacle for Solder Cup or PCB Termination, With Standard Epoxy Potting</p> <p><b>804-020</b> Receptacle for Solder Cup or PCB Termination, With Special "MOD-518" Sealing For Open Face (unmated) Water Immersion Requirements. 100% Leak Tested.</p>	 <p align="center"><b>- 00</b> Jam Nut, Front Panel</p>  <p align="center"><b>- 07</b> Jam Nut, Rear Panel</p>	<p align="center"><b>C</b> Aluminum / Black Anodize (Non-Conductive) RoHS Compliant</p> <p align="center"><b>M</b> Aluminum / Electroless Nickel RoHS Compliant</p> <p align="center"><b>NF</b> Aluminum / Cadmium with Olive Drab Chromate</p> <p align="center"><b>ZN</b> Aluminum / Zinc-Nickel with Olive Drab Chromate</p> <p align="center"><b>ZNU</b> Aluminum / Zinc-Nickel with Black Chromate</p> <p align="center"><b>MT</b> Aluminum / Nickel-PTFE RoHS Compliant</p> <p align="center"><b>Z1</b> Stainless Steel / Passivated RoHS Compliant</p>	<p>SEE <b>CONTACT ARRANGEMENTS</b> PAGE G-2</p>	<p align="center"><b>P</b> Pin, PC Tail</p> <p align="center"><b>S</b> Socket, PC Tail</p> <p align="center"><b>E</b> Pin, Solder Cup</p> <p align="center"><b>F</b> Socket, Solder Cup</p>	<p align="center"><b>Omit</b> for Single Master Key</p> <p align="center"><b>A</b> Pos. A (Normal)</p> <p align="center"><b>B</b> Pos. B</p> <p align="center"><b>C</b> Pos. C</p> <p align="center"><b>D</b> Pos. D</p>

Dimensions in inches (millimeters) and are subject to change without notice.

# Series 804 Push-Pull Mighty Mouse Rear Panel Jam Nut Receptacle Dimensions

804-005-07, 804-020-007



**Rear Panel Jam Nut**  
804-005-07

## DIMENSIONS

Shell Size	Ø A		Ø B		C Flat		D Threads	Ø E		Ø F		Ø G Tail Dia.
	In.	mm.	In.	mm.	In.	mm.		In.	mm.	In.	mm.	
5	.730	18.54	.562	14.27	.415	10.54	.4375-32 UN-2A	.275	6.98	.435	11.05	#23 .018/.022 (0.46/0.56)
6	.730	18.54	.625	15.87	.467	14.40	.5000-32 UN-2A	.330	8.38	.483	12.27	
7	.910	23.11	.750	19.05	.594	15.09	.6250-28 UN-2A	.432	10.97	.570	14.48	#20 .024/.028 (0.61/0.71)
8	.955	24.26	.750	19.05	.594	15.09	.6250-28 UN-2A	.493	12.52	.593	15.06	
9	1.000	25.40	.812	20.62	.655	16.64	.6875-28 UN-2A	.551	14.00	.685	17.40	#16 .060/.064 (1.52/1.63)
10	1.085	27.48	.875	22.22	.721	18.31	.7500-28 UN-2A	.620	15.75	.725	18.42	
12	1.190	30.23	1.000	25.40	.843	21.41	.8750-28 UN-2A	.703	17.86	.850	21.59	#12 .092/.096 (2.34/2.44)
14	1.325	33.66	1.125	28.57	.968	24.59	1.0000-28 UN-2A	.863	21.92	.973	24.71	

## ALTERNATE KEY POSITIONS

Pos.	A°	B°
A	150°	210°
B	75°	210°
C	95°	230°
D	140°	275°
E	75°	275°
F	95°	210°

## JAM NUT PANEL CUTOUT

Shell Size	A Flat		Ø B	
	In. ± .002	mm. ± 0.05	In. ± .005	mm. ± 0.13
5	.423	10.74	.448	11.38
6	.475	12.07	.510	12.95
7	.588	14.94	.635	16.13
8	.602	15.29	.635	16.13
9	.663	16.84	.698	17.73
10	.729	18.82	.760	19.30
12	.851	21.62	.885	22.48
14	.976	24.79	1.010	25.65

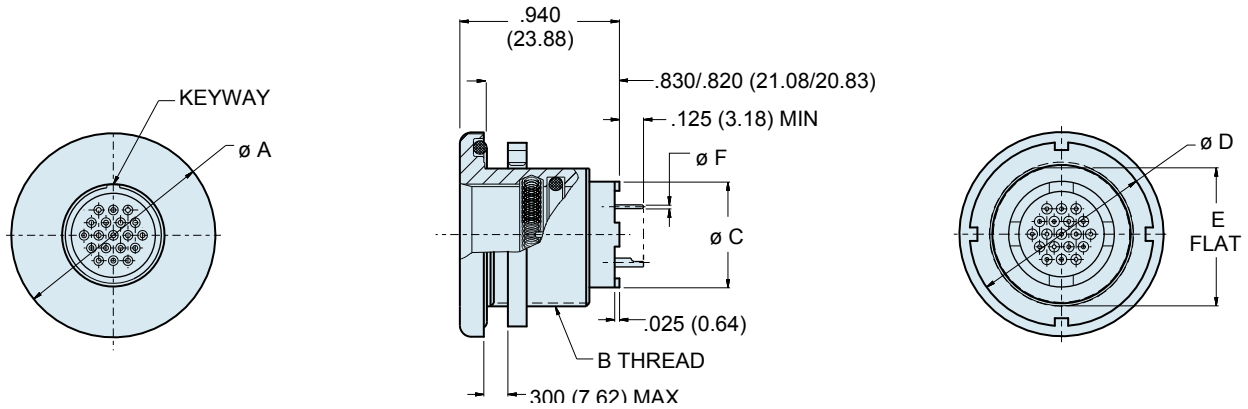
Dimensions in inches (millimeters) and are subject to change without notice.

# Series 804 Push-Pull Mighty Mouse Front Panel Jam Nut Receptacle Dimensions

804-005-00, 804-020-00



Series 804



**Front Panel Jam Nut**  
804-005-00

DIMENSIONS										
Shell Size	Ø A		B Threads	Ø C		Ø D		E Flat		Ø F Tail Dia.
	In.	mm.		In.	mm.	In.	mm.	In.	mm.	
<b>5</b>	.830	21.08	.5000-32 UN-2A	.275	6.98	.625	15.87	.470	11.94	#23 .018/.022 (0.46/0.56)
<b>6</b>	.885	22.48	.5625-28 UN-2A	.330	8.38	.688	17.47	.530	13.46	
<b>7</b>	.995	25.27	.6875-28 UN-2A	.432	10.97	.812	20.62	.663	16.84	#20 .024/.028 (0.61/0.71)
<b>8</b>	.995	25.27	.6875-28 UN-2A	.493	12.52	.812	20.62	.663	16.84	
<b>9</b>	1.075	27.31	.7500-28 UN-2A	.551	14.00	.875	22.22	.720	18.29	#16 .060/.064 (1.52/1.63)
<b>10</b>	1.140	28.95	.8125-28 UN-2A	.620	15.75	.938	23.82	.788	20.02	
<b>12</b>	1.340	34.04	1.0000-28 UN-2A	.703	17.86	1.125	28.57	.970	24.64	#12 .092/.096 (2.34/2.44)
<b>14</b>	1.390	35.31	1.0625-20 UN-2A	.863	21.92	1.188	30.18	1.020	25.91	

### ALTERNATE KEY POSITIONS

Pos.	A°	B°
	A	150°
B	75°	210°
C	95°	230°
D	140°	275°
E	75°	275°
F	95°	210°

### JAM NUT PANEL CUTOUT

Shell Size	A Flat		Ø B	
	In. ± .002	mm. ± 0.05	In. ± .005	mm. ± 0.13
<b>5</b>	.423	10.74	.448	11.38
<b>6</b>	.475	12.07	.510	12.95
<b>7</b>	.588	14.94	.635	16.13
<b>8</b>	.602	15.29	.635	16.13
<b>9</b>	.663	16.84	.698	17.73
<b>10</b>	.729	18.82	.760	19.30
<b>12</b>	.851	21.62	.885	22.48
<b>14</b>	.976	24.79	1.010	25.65

Dimensions in inches (millimeters) and are subject to change without notice.