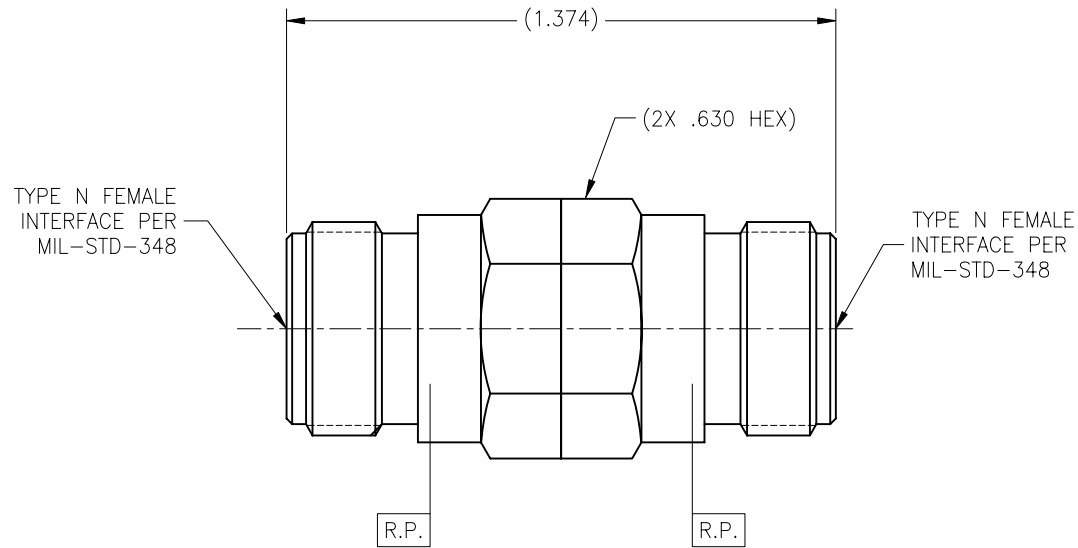


REVISIONS				
ZONE	REV	DESCRIPTION	DATE	BY
—	—	—	—	—



DRAWING NO.	8037CCSF	REV.	—
-------------	----------	------	---

NOTES(S):

1. MATERIAL(S):
 - 1.1 BODY: 303 SST PER ASTM A-582.
 - 1.2 CENTER CONDUCTOR: BeCu ALLOY C173 PER ASTM B-196.
 - 1.3 INSULATOR: PTFE PER ASTM D-1710.
 - 1.4 EPOXY: SIGMA VF TYPE HV
2. FINISH(ES):
 - 2.1 BODY: PASSIVATED PER ASTM A-967.
 - 2.2 CENTER CONDUCTOR: GOLD PLATE PER ASTM B-488 OVER NICKEL PLATE PER AMS-QQ-N-290.
 - 2.3 INSULATOR & EPOXY: NONE
3. ELECTRICAL PERFORMANCE:
 - 3.1 FREQUENCY: DC - 18 GHz
 - 3.2 VSWR: 1.09+.008 \sqrt{f} GHz

NOTICE
 THIS DRAWING EMBODIES A CONFIDENTIAL PROPRIETARY DESIGN ORIGINATED BY TENSOLITE COMPANY AND ALL DESIGN, MANUFACTURING, REPRODUCTION, USE AND SALE RIGHTS REGARDING THE SAME ARE EXPRESSLY RESERVED. IT IS SUBMITTED UNDER A CONFIDENTIAL RELATIONSHIP FOR A SPECIFIED PURPOSE AND THE RECIPIENT AGREES BY ACCEPTING THIS DRAWING NOT TO SUPPLY OR DISCLOSE ANY INFORMATION REGARDING IT TO ANY UNAUTHORIZED PERSON TO INCORPORATE IN OTHER PROJECTS ANY SPECIAL FEATURES PECULIAR TO THIS DESIGN. ALL PATENT RIGHTS HERETO ARE EXPRESSLY RESERVED BY TENSOLITE COMPANY, LONG BEACH, CALIFORNIA 90815.

TOLERANCES AND NOTES EXCEPT AS NOTED
 DIMENSIONS ARE IN INCHES.
 LINEAR .XX ±.015 .XXX ±.005 ANGULAR ± 1/2°
 FRACTION ± 1/32

1. MACHINE FINISH: \sqrt{RMS}
2. BREAK ALL SHARP EDGES .003 MAX.
3. MACHINED FILLETS .005 MAX.
4. MACHINED SURFACES SQUARE TO RESPECTIVE AXIS WITHIN .005 INCHES PER INCH.
5. MACHINED DIAMETERS CONCENTRIC WITHIN .002 T.I.R.
6. DIMENSIONS TO BE MET BEFORE PLATING.
7. CHAMFER ALL THREADS 45°.
8. THREADS PER H-28
9. REMOVE FRADED EDGES ON TEFLON.
10. REMOVE ALL BURRS.

SEE NOTES		—	SEE NOTES	—
MATERIAL		SIZE	SPECIFICATION	PROCUREMENT
NEXT ASSY		Tensolite HIGH PERFORMANCE CABLES & INTERCONNECT SYSTEMS Long Beach, California 90815		
APPROVAL INITIALS	DATE	TITLE		
DRAWN BY: DKN	02.19.03	TYPE N FEMALE TO TYPE N FEMALE ADAPTER		
CHECKED		SCALE	SUB-DIRECTORY/FILENAME	
QUALITY		NONE	OL	SHEET 1 OF 1
ENGINEERING: ATV	02.20.03	SIZE: C	CAGE CODE: 30990	DRAWING NO.: 8037CCSF
				REV.: —