



Series 801 Mighty Mouse Double-Start ACME Threads Plug Connector Ordering Information

801-007 and 801-008



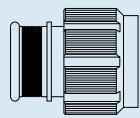
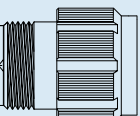
Series 801 Plug Connector

Glenair's Series 801 Mighty Mouse connector features a double-start modified stub ACME mating thread for improved protection against cross-mating and thread damage. Connector shells are machined aluminum or stainless steel. Supplied with crimp contacts, packaged separately. Terminate contacts with standard M22520 tools. Metal clips inside the connector body lock contact into place. Contacts are removable. Fluorosilicone seals and rear grommet protect connector from water ingress. Choose hex or knurled coupling nut. Terminate cable shield directly to connector body with BAND-IT strap, or choose rear accessory thread to attach optional cable clamp or backshell. Available in shell sizes 5 through 21 in 43 contact arrangements.

D

HOW TO ORDER

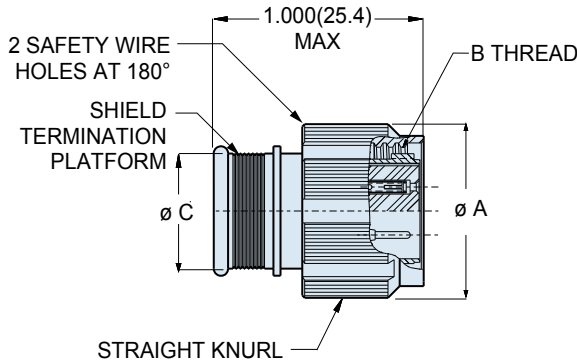
Sample Part Number

| 801-007 | -16 | M | 7-10 | P | A |
|--|---|--|---|---|--|
| Series | Shell Style | Shell Material / Finish | Shell Size- Insert Arrangement | Contact Type | Shell Key Position |
|  <p>801-007 Banding Platform</p>  <p>801-008 Rear Accessory Thread</p> | <p style="text-align: center;">-16 Plug with Anti-Decoupling Spring</p> <p style="text-align: center;">-26 Self-Locking Plug with Ratchet Mechanism (the "Clicker")</p> | <p style="text-align: center;">C Aluminum / Black Anodize (Non-Conductive) RoHS Compliant</p> <p style="text-align: center;">M Aluminum / Electroless Nickel RoHS Compliant</p> <p style="text-align: center;">NF Aluminum / Cadmium with Olive Drab Chromate</p> <p style="text-align: center;">ZN Aluminum / Zinc-Nickel with Olive Drab Chromate</p> <p style="text-align: center;">ZNU Aluminum / Zinc-Nickel with Black Chromate</p> <p style="text-align: center;">MT Aluminum / Nickel-PTFE RoHS Compliant</p> <p style="text-align: center;">Z1 Stainless Steel / Passivated RoHS Compliant</p> | <p>SEE CONTACT ARRANGEMENTS PAGE D-2</p> | <p>Connector supplied with contacts</p> <p style="text-align: center;">P Pin</p> <p style="text-align: center;">S Socket</p> <p>Connector supplied without contacts</p> <p style="text-align: center;">A Pin</p> <p style="text-align: center;">B Socket Connector</p> <p>Connectors with contacts are supplied with signal and/or power crimp contacts. These contacts are not installed.</p> <p>Coaxial contacts and non-standard signal contacts are ordered separately.</p> | <p style="text-align: center;">A Normal</p> <p>Alternate Key Positions:</p> <p style="text-align: center;">B C D E F</p> |

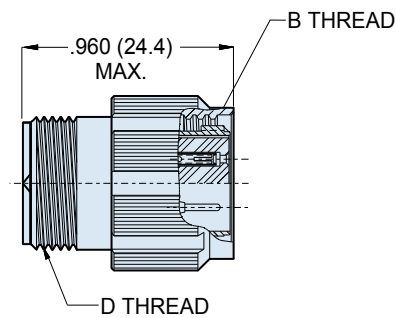
Dimensions in inches (millimeters) and are subject to change without notice.

Series 801 Mighty Mouse Double-Start ACME Threads Plug Connector Dimensions

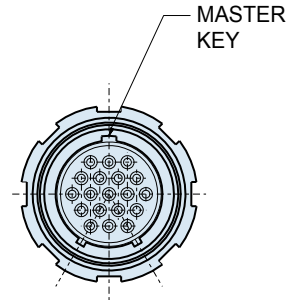
801-007 and 801-008



Integral Band Platform
801-007



Accessory Thread
801-008



| DIMENSIONS | | | | | | | | | |
|------------|----------|-------|----------|-------|-------------------|-------|-------|------------------|--|
| Shell Size | Style 16 | | Style 26 | | B Thread | Ø C | | D Thread UNEF-2A | |
| | Ø A | | Ø A | | | In. | mm. | | |
| | In. | mm. | In. | mm. | | | | | |
| 5 | .540 | 13.72 | .640 | 16.26 | .3125-.05P-1L-2B | .245 | 6.22 | .250-32 | |
| 6 | .600 | 15.24 | .700 | 17.78 | .375-.05P-1L-2B | .290 | 7.37 | .3125-32 | |
| 7 | .680 | 17.27 | .780 | 19.81 | .4375-.05P-1L-2B | .390 | 9.91 | .4375-28 | |
| 8 | .750 | 19.05 | .850 | 21.59 | .5000-.05P-1L-2B | .445 | 11.30 | .5000-28 | |
| 9 | .810 | 20.57 | .910 | 23.11 | .5625-.05P-1L-2B | .500 | 12.70 | .5625-24 | |
| 10 | .880 | 22.35 | .980 | 24.89 | .6250-.05P-1L-2B | .560 | 14.22 | .6250-24 | |
| 13 | 1.050 | 26.67 | 1.150 | 29.21 | .8125-.1P-.2L-2B | .650 | 16.51 | .6875-24 | |
| 16 | 1.240 | 31.50 | 1.340 | 34.04 | 1.000-.1P-.2L-2B | .805 | 20.45 | .9375-20 | |
| 17 | 1.300 | 33.02 | 1.400 | 35.56 | 1.062-.1P-.2L-2B | .850 | 21.59 | .9375-20 | |
| 21 | 1.550 | 39.37 | 1.650 | 41.91 | 1.3125-.1P-.2L-2B | 1.110 | 28.19 | 1.1875-18 | |

| PLUG KEY POSITIONS | | |
|--------------------|------|------|
| | A° | B° |
| A | 150° | 210° |
| B | 75° | 210° |
| C | 95° | 230° |
| D | 140° | 275° |
| E | 75° | 275° |
| F | 95° | 210° |

Dimensions in inches (millimeters) and are subject to change without notice.