

**Eaton®**  
Commercial Controls Division

**EATON**

## Vehicle Controls



**The Power of Reliability**

# The Power of Reliability

### Reliability: a global concern.

Eaton Corporation manufactures highly engineered products that serve industrial, vehicle, construction, commercial and semiconductor markets from 145 manufacturing sites in 28 countries. Eaton Commercial Controls Division (CCD) leverages Eaton's resources and expertise to compete as a global leader. With this support, CCD maintains a position as a leading supplier of reliable controls, switches and circuit breakers.

### Reliability: begins with a commitment to quality.

Eaton Corporation has embraced total quality management to continually improve products, service and overall customer satisfaction. At the heart of the quality initiative are robust processes, rigorous measurements and strong leadership. Robust processes provide the capability for excellence. Rigorous



measurements validate our progress toward excellence. And strong leaders continue to raise the bar. Our success with the quality initiative is reflected in ISO9001 and QS9000 certifications at CCD.



A variety of programs are used to promote improvement of overall company performance. Two key programs that underly the majority of these initiatives are The Eaton Philosophy and the Eaton Quality Award.

#### *The Eaton Philosophy: Excellence Through People*

Eaton's success depends on the superior performance of each Eaton employee in support of

our customers. Sustained high performance occurs when employees share certain key beliefs and become committed to the goals of the organization. The Eaton Philosophy sets out these shared beliefs and describes a culture in which employees make exceptional contributions.



#### *Eaton Quality Award*

Using Malcolm Baldrige criteria, CCD annually conducts a

self-assessment to measure performance on a wide range of business performance indicators. Cross-divisional teams at Eaton review the assessments and recognize areas of excellence as well as areas needing improvement. CCD is benchmarked against the rest of Eaton and best practices are shared across the organization.

### Reliability: a critical design component.

Our primary design strategy is platform engineering — adapting products developed on a standard platform to meet specific needs of individual customers. By investing in a common platform, CCD can provide a higher return on customer investments.



3-D design software is used in the Design Center to improve initial design concepts and reduce development cycles. Electronic drawings are also readily available to our customers.

The Eaton Innovation Center is a full service research and development facility focused on control products and system controls. World-class expertise at the Innovation Center is used by CCD to generate advanced product concepts and investigate new technologies.

### Reliability: built into every product.

We employ a wide variety of manufacturing operations to ensure conformance to quality standards, including:

- Precision metal stamping.
- Plastic injection molding.
- Fully and semi-automated assembly.
- Electronic assembly.
- Custom harness assembly.
- Welding and soldering.
- Legend engraving and pad printing.
- Laser marking.
- In house tool production and maintenance.
- Integrated testing.

### Reliability: a product of teamwork.

Customer satisfaction is the prime concern. So we engage customers early in the development process to define product roadmaps and confirm new product specifications. Customers participate in concept and design reviews on a regular basis. Rigorous analysis by our customers helps to ensure the product works the first time. Every time.

## Our Philosophy

- We expect the best of ourselves and each other.
- We are committed to attracting, developing, and keeping a diverse work force that reflects the nature of our global business.
- Our communications with one another are open, honest, and timely.
- We strive for the active involvement of every employee in our continued success and growth.
- We accept the challenge of lifelong learning.
- We do our work with a sense of urgency.
- We are accountable for our commitments and expect that our performance will be measured.
- Compensation at Eaton is fair and competitive for performance that contributes to the success of the business.
- We value employees' ideas, and we purposefully build an environment in which new ideas will flourish.

## TABLE OF CONTENTS

Page

<b>Introduction</b> .....	2-3
Table of Contents .....	3
<b>1 Dimmer/Wiper</b> .....	4-7
Paddle & Slide Controls .....	4-5
Rotary Wiper .....	6-7
<b>2 Rocker Switches</b> .....	8-33
EURO/SR .....	8-9
Full Size Euro .....	10-11
ESPORT .....	12-15
NGR .....	16-31
Accessories .....	32-33

## Catalog Number Reference

( ) denotes a base catalog number or prefix

Catalog No.	Page	Catalog No.	Page
DP_____	4-5	28-3426 .....	32
DS_____	4-5	28-5148_____	11
NGR_____	18-23	28-5415_____	9
NGR Rocker Buttons .....	24-25	28-5555 .....	13
RW200_____	6-7	28-5555-2 .....	13
WP_____	4-5	28-5558 .....	32
WS_____	4-5	28-5637-2 .....	32
2CAP_____	27	28-5863_____	27
2N_____	26	28-5907 .....	17
3CAP_____	27	28-5909 .....	17
3N_____	26	28-5940 .....	32
6CAP_____	27	53-3318 .....	33
6N_____	26	8004_____	10-11
17-19263 .....	33	8005_____	10-11
17-19264 .....	33	8006_____	8-9
17-19544-2 .....	33	8007_____	8-9
17-21159 .....	33	8064_____	12-13
17-21160 .....	33	8065_____	12-13
17-21543 .....	33	811-2 .....	11
28-3425_____	11		

# 1 DIMMER AND WIPER CONTROLS

## Paddle and Slide Controls

### DESCRIPTION

Eaton's unique family of dimmer and wiper controls are field proven to be the market's most dependable controls. Although originally designed for the heavy truck market, applications in various other types of vehicles exist. Paddle and slide versions are available and both have the look, feel and durability associated with our controls. Bezels and actuators are molded in a soft matte finish. Illuminated and non-illuminated versions are available. Board mounted LED's located behind a laser etched

panel provide illumination.

Customized light panel lettering and custom pad printed bezels are also available. Both dimmer and wiper controls are designed to fit in the NGR gang mount system to compliment the NGR family of switches.

### SPECIFICATIONS

#### Ratings (Dimmer Only):

4, 6, 8, 10A @ 14V dc.

2, 3, 4, 5A @ 28V dc.

#### Mechanical Life:

100,000 Operations, Maximum.

#### Operating Temperature Range:

-40°C to +85°C.

#### Base Material:

High Grade Thermoplastic Molding Material.

#### Mounting Means:

Snap- in Mounting with Plastic Bezel.

#### Mounting Hole:

Rectangular Panel Cutout.  
44 x 22mm.  
(1.734 x .867").

#### Panel Thickness:

.762 x 4.8mm.  
(.03 to .19").

#### Approximate Weight:

1.5 oz.

### HOW TO ORDER — PADDLE AND SLIDE CONTROLS

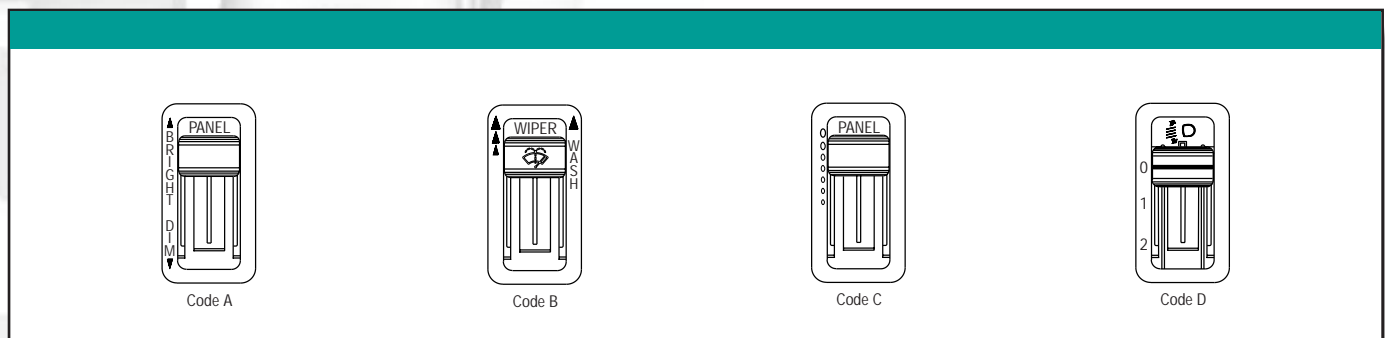
To determine your **Complete Catalog Number**, you must start with the appropriate **Control Type** and add the appropriate **Code Letters** and/or **Numbers** as in the example below:

Add each appropriate Number or Letter...								...to get to your Complete Catalog Number
Control Type	Actuator Type	Application Voltage	Amperage Rating	Bezel Print Style	Connector Type	Circuit Board	LED Color	Complete Catalog Number
D	P	12	4	A	A	L	G	DP124AALG

### PADDLE AND SLIDE CONTROLS SELECTION TABLE

CODE LETTERS AND NUMBERS																	
Control Type	Code	Actuator Type	Code	Application Voltage	Code	Amperage Rating ②	Code	Bezel Print Style	Code	Connector Type Packard No.	Code	Circuit Board ③	Code	LED Color	Code		
Dimmer	D	Paddle	P	12 Volts	12	4	4	Style A	A	12020398	A	18 Sec Max Nominal Dwell	L	Green	G		
						6	6							12015345	B	Yellow	Y
						8	8							174930-1	C	10 Sec Max Nominal Dwell	S
Wiper	W	Slide	S	24 Volts	24	10	10	Style C	C	12034295	D	10 Sec Max Nominal Dwell	S	Red	R		
						Wiper	W									Style D	D

### BEZEL PRINT STYLE ①

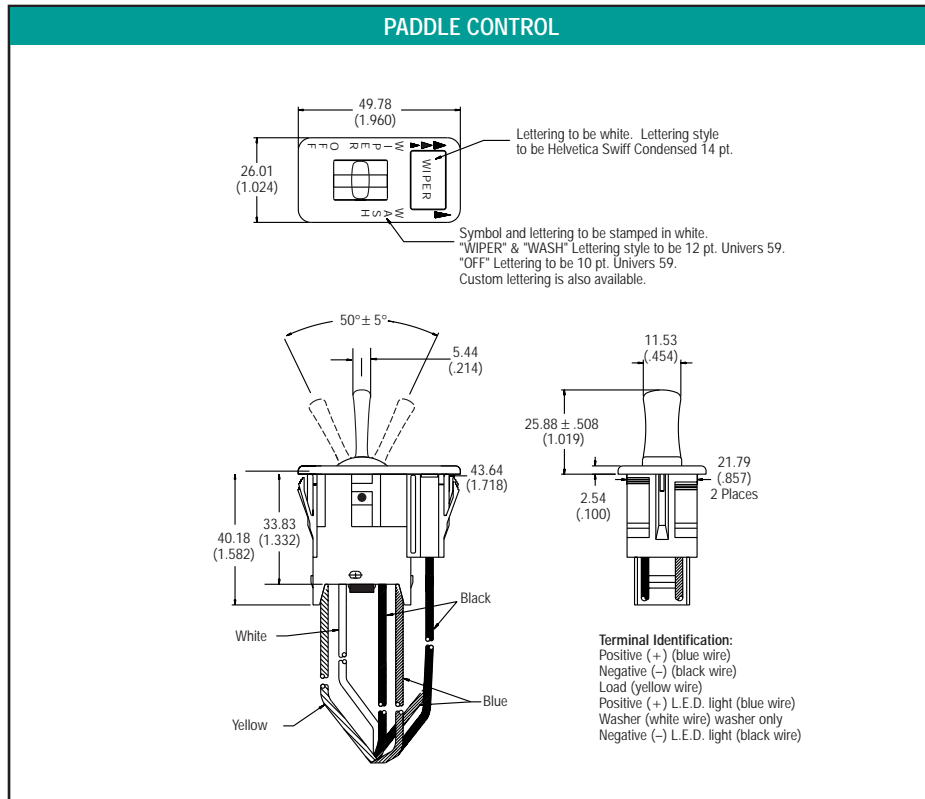


① Custom Pad print available for bezel or button.

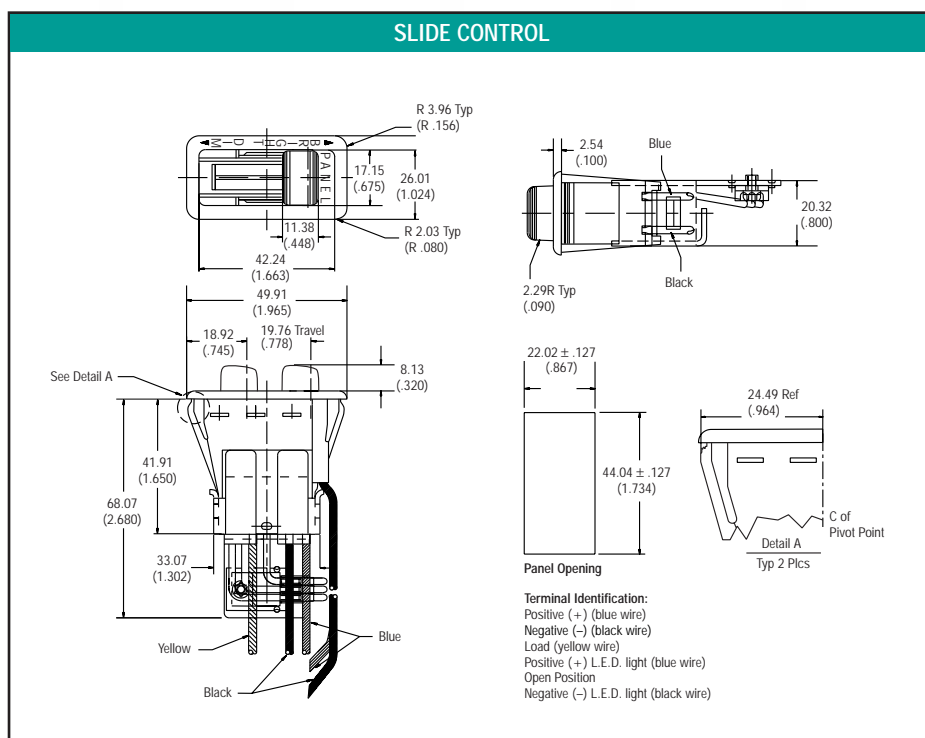
② Amperage ratings for dimmers only.

③ Maximum dwell time describes the average time constant for delayed wiper activation.

**DIMENSIONS** APPROXIMATE IN MM (INCHES)



**DIMENSIONS** APPROXIMATE IN MM (INCHES)



1



**DS126AEDY**  
Dimmer Slide Control



**DP124AEDY**  
Dimmer Paddle Control



**WS12WBESY**  
Wiper Slide Control



**WP124AEDY**  
Wiper Paddle Control

5

# 1 DIMMER AND WIPER CONTROLS

## RW 200 Series Rotary Wiper

### DESCRIPTION

The Rotary Wiper has been designed to be a highly durable rotary wiper control for the transportation industry. The RW200 series wiper has four wiper control positions via a rotating knob: Off, Intermittent, Continuous Low Speed and Continuous High Speed. The device has a washer function that operates the washer pump and wiper while the knob is depressed.

Meets SAE standards J1455, J1944 and J1988.

### SPECIFICATIONS

**Operating Voltage Range**  
9V dc to 16V dc.

### Continuous Load Rating

17A from -40°C to 23°C.

Derated to 5A @ 85°C.

### Wiper Electromechanical Life

50,000 Cycles.

### Electrical Cycle Life

250,000 Cycles in the Intermittent Position.

300,000 Cycles combined in the Low and High Positions.

### Operating Temperature

-40°C to 85°C.

### Humidity Rating

Device will operate properly at 98% humidity between -40°C to 38°C.

### Mechanical Shock

The switch will withstand a three foot drop on concrete.

### Vibration

The device will operate properly while being exposed to 133 hours of 1 G RMS vibration along all 3 axis, sweeping from 5 Hz to 1500 Hz at 1 octave per minute.

### Load Dump Protection

The switch will withstand a 120 Volt Load Dump per SAE J1455.

### Reverse Voltage Protection.

The device shall not be damaged when exposed to 12V dc for 5 minutes.

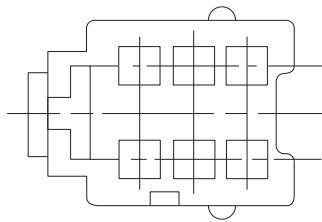
### Options

- Variable bushing length.
- Variable spindle length.
- Choice of connectors.
- Pad printing on knob.

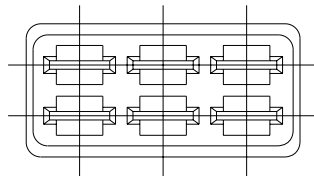
ROTARY WIPER SELECTION TABLE

Series	Voltage	Packard Connectors	Bushing Length	Catalog Number
RW	12V dc	12064752	.261"	RW20012AA
		12064752	.424"	RW20012AB
		12977042	.261"	RW20012BA
		12977042	.424"	RW20012BB
		6288538	.261"	RW20012CA
		6288538	.424"	RW20012CB
		6294544 & 2977048	.261"	RW20012DA
		6294544 & 2977048	.424"	RW20012DB

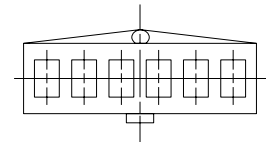
### CONNECTOR DRAWINGS



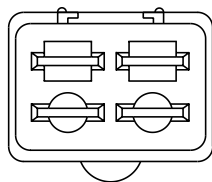
12064752



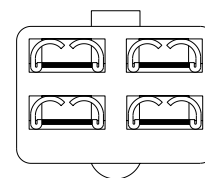
12977042



6288538

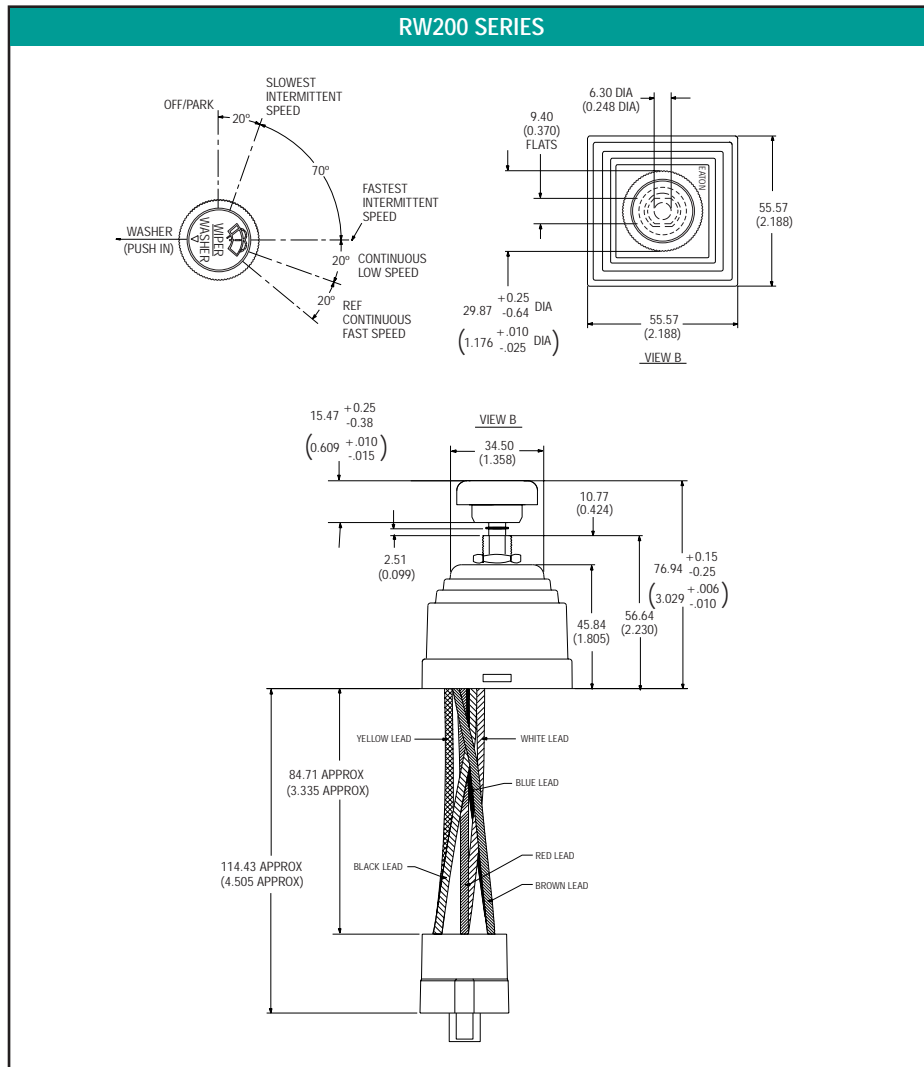


6294544



2977048

## DIMENSIONS APPROXIMATE IN MM (INCHES)



Rotary Wiper

### CIRCUIT CONTINUITY

SWITCH POSITION	CIRCUIT CONTINUITY
Off	Open
Intermittent	Yellow – Red and Black
Low Speed	Yellow
High Speed	White
Washer	Brown
	Red – Positive
	Black – Negative

### WIRE TERMINATIONS

WIRE COLOR	SWITCH CONNECTIONS
Yellow	Motor Low Speed Terminal
White	Motor High Speed Terminal
Blue	Motor Park Terminal
Black	Ground
Brown	Washer Pump

# 2 ROCKER SWITCHES

## EURO/SR Standard Size Euro-Style Rocker Switches

### DESCRIPTION

Field-proven in America's roughest off-road applications, the standard size EURO/SR is one tough and reliable rocker switch. Available with the complete range of rugged one and two-pole, illuminated or non-illuminated circuits. The EURO/SR Series offers snap-in mounting and can be provided with a durable silicone seal which resists dust and moisture. All EURO/SR switches are molded in an aesthetically pleasing matte finish and operate with a crisp tactile feel allowing

for easy actuation. The EURO/SR will accept loads up to 15A. Terminal numbers are stamped on base for easy identification.

### SPECIFICATIONS

**Ratings:**  
 15A @ 125V ac.  
 10A @ 250V ac.  
 3/4 Hp @ 250V ac.  
 (Hp rating does not apply to lighted switches.)  
 CUR marked.  
 Recommended up to 15A @ 28V dc.

### Circuits:

SPST, SPDT, DPST, and DPDT. Maintained and momentary action.

### Contact Mechanism:

Slow-make/slow-break contact mechanism. Butt action contact mechanism designed specifically for use on ac and low voltage dc applications.

### Mechanical Life:

Maintained — 100,000 operations, minimum.  
 Momentary — 25,000 operations, minimum.

### HOW TO ORDER — EURO/SR

To determine your Complete Catalog Number, you must start with the appropriate Base Catalog Number and add the appropriate Suffix Letters and/or Numbers as in the example below:

Start with this Base Circuit Number	...add each appropriate Suffix Number or Letter...							...to get to your Complete Catalog Number
Base Circuit Catalog Number	Mounting Frame	Bulb Voltage	Lamp Wiring	Rocker Style	Rocker Color	Lens Color	Seal Option	Complete Catalog Number
8007K20	N	3	1	4	V	3	2	8007K20N314V32

### EURO/SR SELECTION TABLE

Rating	Poles and Throw	Circuit w/Rocker in			BASE CIRCUIT			CODE LETTERS AND NUMBERS — ADD TO BASE CIRCUIT NUMBER													
		UP Position	CENTER Position	DOWN Position	Termination Type			Mounting Frame	Bulb Voltage		Lamp Wiring		Rocker Style		Rocker Color		Lens Color		Seal Option		
					0.250" Spade Terminal	Solder Lugs	Screw Terminal		Color	Code	Voltage Type	Code	Type	Code	Type	Code	Color	Code	Color	Code	Type
<b>NON-ILLUMINATED</b>																					
10A 250V ac	1 P.S.T.	2-3	NONE	OFF	8006K23	8006K24	8006K25	Black	N	N/A	N/A	N/A	N/A	Two Face	1	White	M	N/A	N/A	Non-Sealed	1
		2-3*			8006K35	8006K36	8006K37														
	1 P.D.T.	2-3	OFF	2-1	8006K20	8006K21	8006K22														
		2-3	NONE	2-1	8006K26	8006K27	8006K28														
		2-3*	OFF	2-1	8006K29	8006K30	8006K31														
		2-3*	OFF	2-1*	8006K32	8006K33	8006K34														
15A 125V ac	2 P.S.T.	2-3, 5-6	NONE	OFF	8006K43	8006K44	8006K45	Black	N	N/A	N/A	N/A	N/A	Two Face	1	Red	T	N/A	N/A	Sealed	2
		2-3, 5-6*			8006K55	8006K56	8006K57														
15A 28V dc	2 P.D.T.	2-3, 5-6	OFF	2-1, 5-4	8006K40	8006K41	8006K42	Black	N	N/A	N/A	N/A	N/A	Two Face	1	Black	V	N/A	N/A	Sealed	2
		2-3, 5-6	NONE	2-1, 5-4	8006K46	8006K47	8006K48														
	2-3, 5-6*	OFF	2-1, 5-4	8006K49	8006K50	8006K51															
	2-3, 5-6*	OFF	2-1, 5-4*	8006K52	8006K53	8006K54															
2 P.D.T.Ⓢ	2 P.D.T.Ⓣ	2-3, 5-6	2-3	OFF	8006K58	8006K59	8006K60	Black	N	N/A	N/A	N/A	N/A	Two Face	1	Red	T	N/A	N/A	Sealed	2
		5-6	5-3	5-1	8006K61	8006K62	8006K63														
<b>ILLUMINATED</b>																					
10A 250V ac	1 P.S.T.	2-3	OFF	OFF	8007K23	8007K24	8007K25	Black	N	14V dc	3	Dependent on Circuit	1	Two Face w/1 Lens	3	White	M	White	1	Non-Sealed	1
		2-3*	NONE	NONE	8007K35	8007K36	8007K37														
	1 P.D.T.	2-3	OFF	2-1	8007K20	8007K21	8007K22														
		2-3	NONE	2-1	8007K26	8007K27	8007K28														
		2-3*	OFF	2-1	8007K29	8007K30	8007K31														
		2-3*	OFF	2-1*	8007K32	8007K33	8007K34														
15A 125V ac	2 P.S.T.	2-3, 5-6	NONE	OFF	8007K43	8007K44	8007K45	Black	N	28V dc	4	Independent of Circuit	2	Two Face w/2 Lenses	4	Red	T	Amber	4	Sealed	2
		2-3, 5-6*	OFF	NONE	8007K55	8007K56	8007K57														
15A 28V dc	2 P.D.T.Ⓢ	2-3, 5-6	OFF	2-1, 5-4	8007K40	8007K41	8007K42	Black	N	250V Neon	2	Independent of Circuit	2	Two Face w/2 Lenses	4	Black	V	No Lens	5	Sealed	2
		2-3, 5-6	NONE	2-1, 5-4	8007K46	8007K47	8007K48														
	2-3, 5-6*	OFF	2-1, 5-4	8007K49	8007K50	8007K51															
	2-3, 5-6*	OFF	2-1, 5-4*	8007K52	8007K53	8007K54															

\*Momentary Contact.

Ⓢ 3A @ 250V ac, 6A @ 125V ac.

Ⓣ 1/4 Hp @ 125-250V ac.

Ⓢ Not available with lamp wired independent of circuit and provided with (2) lamps and (2) lens only (use only rocker styles 4 and 9). Note: All double throw circuits both 1 pole and 2 pole require (2) lamps and (2) lens when lamp wired dependent on circuit. When lamp wired independent of circuit for 1PDT switches: device is supplied with 1 lamp and (2) lens (lamp centered in open pole of base).



**Electrical Life:**

25,000 Operations min. at full load.

**Terminal Types:**

Standard 6.35 mm (.250") spade — brass.

Screw — brass

(terminal screws provided unassembled).

Solder — tinned plated brass.

**Base Material:**

Thermoset molding material.

**Rocker Material:**

Thermoplastic rocker actuators. Different colors are available. Rocker and bezel are a high grade nylon supplied with matte finish.

**Lamps:**

Five lamp voltages, 14V dc, 18V dc, 28V dc, 125V ac neon, and 250V ac neon are offered as standard. For additional lamp voltages, please consult your customer service representative.

**Dielectric:**

1,000V RMS, minimum.

**Operating Temperature:**

-40° to 85°C.

**Mounting Means:**

Snap-in mounting with plastic bezel.

**Seal:**

Available in sealed and non-sealed versions. Sealed devices are furnished with silicone rubber seal providing moisture and dust resistance.

**Lens Part Numbers**

(if ordered separately):

- Green . . . . . 28-5415
- Amber . . . . . 28-5415-2
- Red . . . . . 28-5415-3
- Blue . . . . . 28-5415-4
- White . . . . . 28-5415-5

**Options:**

- Additional colors of rockers and bezels are available.
- Special circuits.
- Special ratings.
- Pad-printed legends on rocker and bezel.
- Special voltage bulbs.
- Dry circuit capabilities.
- Foam dust seal.
- Reversing jumpers.
- Printed circuit terminals and other terminal types.
- Wire leads.
- Dead back cover.
- Industry standard connector: 28-3426. See page 32.
- EURO/SR panel plug: 53-3318. See page 33.

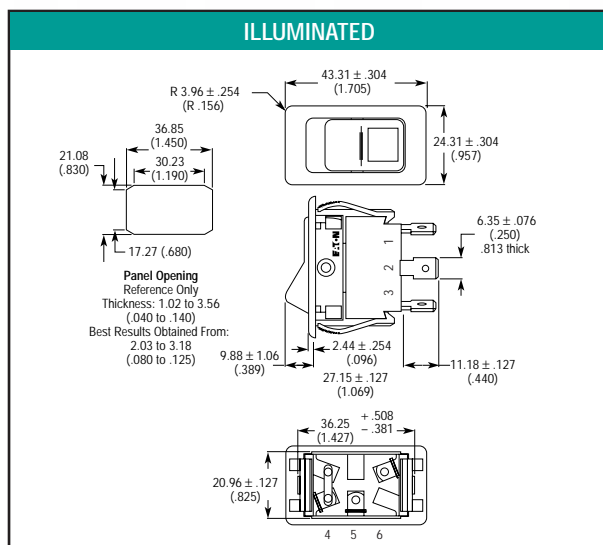
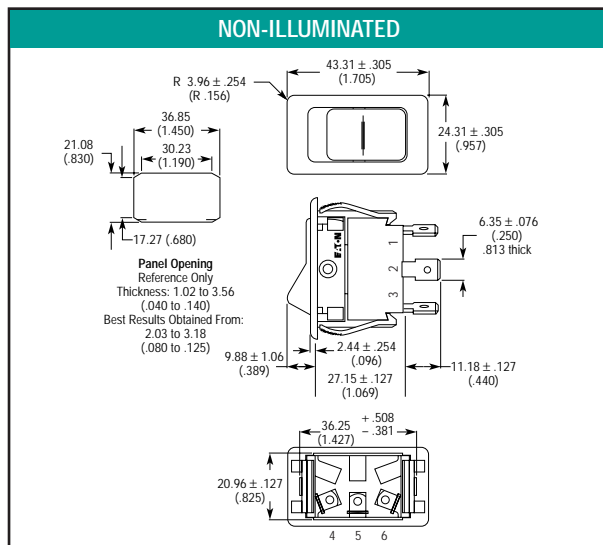
For information on optional features, contact your Eaton Sales Representative.

**Approvals:**

UL recognized and recognized component for Canada (CUR marked): File E2702.



**DIMENSIONS** APPROXIMATE IN MM (INCHES)



8006K22N1M2  
EURO/SR



8007K40N314032  
EURO/SR



8007K23N313V11  
EURO/SR



8007K24N323V42  
EURO/SR

# 2 ROCKER SWITCHES

## Full Size Euro-Look Rocker Switches

### DESCRIPTION

Eaton's **8004 and 8005 Euro-Look Series** features matte finish European styling and snap-in mounting. These durable switches, field-tested in the most demanding truck and marine applications, are available with a variety of standard actuator options. Options include concave, two-face, illuminated, non-illuminated, and the recessed feature which allows placement of your label on the face of our rocker. All switches in this rugged lineup can be fitted with a silicone rubber seal to provide moisture

and dust resistance. Additionally, these switches can be gang-mounted into a single panel opening. Panel blanks are also available.

### SPECIFICATIONS

**Ratings:**  
 15A @ 125V ac.  
 10A @ 250V ac.  
 3/4 HP @ 250V ac.  
 (Hp rating does not apply to lighted switches).  
 CUR marked.  
 Recommended up to 15A @ 28V dc.

### Circuits:

SPST, SPDT, DPST, and DPDT. Maintained and momentary action.

### Contact Mechanism:

Slow-make/slow-break contact mechanism.  
 Butt action contact mechanism designed specifically for use on and low voltage applications.

### HOW TO ORDER — FULL SIZE

To determine your **Complete Catalog Number**, you must start with the appropriate **Base Catalog Number** and add the appropriate **Suffix Letters and/or Numbers** as in the example below:

Start with this Base Circuit Number	...add each appropriate Suffix Number or Letter...							...to get to your Complete Catalog Number
Base Circuit Catalog Number	Mounting Frame	Bulb Voltage	Lamp Wiring	Rocker Style	Rocker Color	Lens Color	Seal Option	Complete Catalog Number
<b>8005K20</b>	<b>N</b>	<b>3</b>	<b>1</b>	<b>4</b>	<b>V</b>	<b>3</b>	<b>2</b>	<b>8005K20N314V32</b>

### FULL SIZE SELECTION TABLE

Rating	Poles and Throw	Circuit w/Rocker in			BASE CIRCUIT			SUFFIX LETTERS AND NUMBERS — ADD TO BASE CIRCUIT NUMBER																													
		UP Position	CENTER Position	DOWN Position	Termination Type			Mounting Frame	Bulb Voltage		Lamp Wiring		Rocker Style		Rocker Color		Lens Color		Seal Option																		
					0.250" Spade Terminal	Solder Lugs	Screw Terminal		Color	Code	Voltage Type	Code	Type	Code	Type	Code	Color	Code	Color	Code	Type	Code															
<b>NON-ILLUMINATED</b>																																					
10A 250V ac	1 P.S.T.	2-3	NONE	OFF	8004K23	8004K24	8004K25	Black	N																												
		2-3*			8004K35	8004K36	8004K37																														
	1 P.D.T.	2-3	OFF	2-1	8004K20	8004K21	8004K22															White	M	N/A	N/A	N/A	N/A	Two Face	1	White	M						
		2-3*	NONE	2-1	8004K26	8004K27	8004K28																														
		2-3*	OFF	2-1	8004K29	8004K30	8004K31																														
		2-3*	OFF	2-1*	8004K32	8004K33	8004K34																														
15A 125V ac	2 P.S.T.	2-3, 5-6	NONE	OFF	8004K43	8004K44	8004K45	Red	T	N/A	N/A	N/A	N/A	Concave	7	Red	T	N/A	N/A	Non-Sealed	1																
		2-3, 5-6*			8004K55	8004K56	8004K57																														
15A 28V dc	2 P.D.T.	2-3, 5-6	OFF	2-1, 5-4	8004K40	8004K41	8004K42	Gray	G					Paddle	6	Black	V				Sealed	2															
		2-3, 5-6	NONE	2-1, 5-4	8004K46	8004K47	8004K48																														
	2 P.D.T. ①	2-3, 5-6	OFF	2-1, 5-4	8004K49	8004K50	8004K51							Recessed	0	Gray	G																				
		2-3, 5-6*	OFF	2-1, 5-4*	8004K52	8004K53	8004K54																														
2 P.D.T. ②	2-3, 5-6	OFF	5-1	8004K61	8004K62	8004K63																															
<b>ILLUMINATED</b>																																					
10A 250V ac	1 P.S.T.	2-3	OFF	OFF	8005K23	8005K24	8005K25	Black	N		14V dc	3																									
		2-3*	NONE	NONE	8005K35	8005K36	8005K37																														
	1 P.D.T.	2-3	OFF	2-1	8005K20	8005K21	8005K22																White	M	28V dc	4	Dependent on Circuit	1									
		2-3	NONE	2-1	8005K26	8005K27	8005K28																														
		2-3*	OFF	2-1	8005K29	8005K30	8005K31																														
		2-3*	OFF	2-1*	8005K32	8005K33	8005K34																														
15A 125V ac	2 P.S.T.	2-3, 5-6	NONE	OFF	8005K43	8005K44	8005K45	Red	T	125V Neon	1	Independent of Circuit	2																								
		2-3, 5-6*	OFF	NONE	8005K55	8005K56	8005K57																														
15A 28V dc	2 P.D.T. ①	2-3, 5-6	OFF	2-1, 5-4	8005K40	8005K41	8005K42	Gray	G	250V Neon	2																										
		2-3, 5-6	NONE	2-1, 5-4	8005K46	8005K47	8005K48																														
	2 P.D.T. ②	2-3, 5-6	OFF	2-1, 5-4	8005K49	8005K50	8005K51																														
		2-3, 5-6*	OFF	2-1, 5-4*	8005K52	8005K53	8005K54																														

\*Momentary Contact.

① 3A @ 250V ac, 6A @ 125V ac.

② 1/4 Hp @ 125-250V ac.

③ Not available with lamp wired independent of circuit and provided with (2) lamps and (2) lens only (use only rocker styles 4 and 9). Note: All double throw circuits both 1 pole and 2 pole require (2) lamps and (2) lens when lamp wired independent of circuit. When lamp wired independent of circuit for 1PDT switches: device is supplied with 1 lamp and (2) lens (lamp centered in open pole of base).

**Contact Material:**

Movable — silver plated copper with fine or coin silver contact face button.  
 Stationary — copper with fine or coin silver contact face button.

**Mechanical Life:**

Momentary — 25,000 operations, minimum.  
 Maintained — 100,000 operations, minimum.

**Electrical Life:**

25,000 Operations min. at full load.

**Terminal Type:**

Standard 6.35 mm (.250") spade — brass.  
 Screw — brass (Cat. No. 811-2 #6 – 32 x 3/16 binding head terminal screws are provided unassembled).

Solder — tinned plated brass.  
 Tinned spade terminals.

**Rocker Material:**

Custom styled, multicolored thermoplastic rocker actuators. The rocker and bezel are supplied with a matte finish.

**Lamps:**

Five lamp voltages, 14V dc, 18V dc, 28V dc, 125V ac neon, and 250V ac neon, are offered as standard. For additional voltages or LED availability consult your customer service representative.

**Base Material:**

Thermoset molding material.

**Dielectric:**

1,000V RMS, minimum.

**Mounting Means:**

Snap-in mounting with plastic bezel.

**Seal:**

Available in sealed and non-sealed versions. Sealed devices are furnished with a silicone rubber seal providing moisture and dust resistance.

**Lens Catalog Numbers** (if ordered separately):

- 8005 Two-Face:**  
 Green . . . . . 28-3425  
 Amber . . . . . 28-3425-2  
 Red . . . . . 28-3425-3  
 Blue . . . . . 28-3425-4  
 White . . . . . 28-3425-5
- 8005 Concave:**  
 Red . . . . . 28-5148  
 Green . . . . . 28-5148-2  
 Amber . . . . . 28-5148-3  
 Blue . . . . . 28-5148-4  
 Clear . . . . . 28-5148-5

**Options:**

- Additional colors of rockers and mounting bezels are available.
- Special circuits.
- Special ratings.
- Dry circuit capabilities.
- Pad-printed legends on rocker & bezel.
- Special lamp voltages.
- Foam dust seal.
- Reversing jumpers.
- Printed circuit terminals and other terminal types.
- Dead back cover (two pole base) with wire leads.
- Matching indicators.
- Industry standard connector: **28-3426**, see page 32.
- Full size Euro-look gang mounting systems, see page 33.
- Full size Euro-look panel plugs: **17-19544-2**, see page 33.

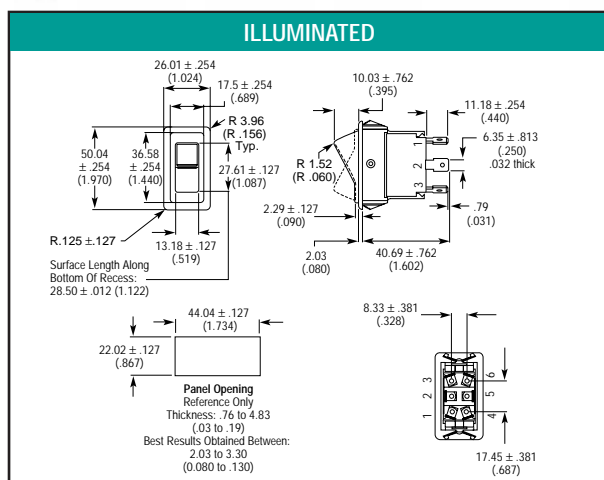
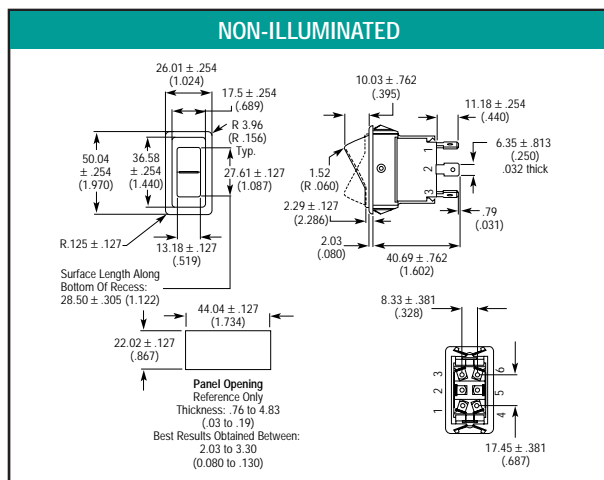
For information on optical features, contact your Eaton Sales Representative.

**Approvals:**

Underwriter recognized and recognized component for Canada (CUR marked): File E2702.



**DIMENSIONS** APPROXIMATE IN MM (INCHES)



8004K23N6V2  
Full Size



8005K21N319V22  
Full Size



8005K25N315V32  
Full Size



8005K21N319V62  
Full Size

# 2 ROCKER SWITCHES

## ESPORT Full Size Rocker Switches

### DESCRIPTION

The ergonomically-designed **ESPORT** Series comes with a large independent LED-illuminated indicator window which clearly identifies the switch's labeled function your label or ours. The switch can be ordered with an LED illuminated actuator, as well. All **ESPORT** switches are molded in a clean matte finish and operate with a definite tactile feel. Actuation of the switch feels crisp. Also, **ESPORT** switches will accept loads up to 15A. Due to the LED's long life, lamp replacement should not be necessary.

Tested in America's toughest truck applications, the **ESPORT** switch is reliable, durable and is available with a full range of rugged one- and two-pole circuits. It has an optional polarized lock-on connector. Spade switch terminals are tin-plated for long storage life.

### SPECIFICATIONS

#### Ratings:

15A @ 125V ac.

10A @ 250V ac.

3/4 Hp @ 250V ac.

CUR marked.

Recommended up to

15A @ 28V dc.

#### Circuits:

SPST, SPDT, DPST, and DPDT.

Maintained and momentary action.

#### Contact Mechanism:

Slow-make/slow-break contact mechanism.

Butt action contact mechanism designed specifically for use on ac and low voltage dc applications.

#### Contact Material:

Movable silver plated copper with silver contact face button.




Stationary copper with silver contact face button.

### HOW TO ORDER ESPORT

To determine your **Complete Catalog Number**, you must start with the appropriate **Base Catalog Number** and add the appropriate **Suffix Letters and/or Numbers** as in the example below:

Start with this Base Circuit Number	...add each appropriate Suffix Number or Letter...						...to get to your Complete Catalog Number
Base Circuit Catalog Number	Rocker Style	Indicator LED Color	Rocker LED Color	LED Voltage	Rocker Color	Lens Color	Complete Catalog Number
<b>8065K10</b>	<b>B</b>	<b>Y</b>	<b>R</b>	<b>1</b>	<b>B</b>	<b>1</b>	<b>8065K10BYR1B1</b>

### ESPORT SELECTION TABLE

Rating	Poles and Throw	Circuit w/Rocker in			BASE CIRCUIT NUMBER	SUFFIX LETTERS AND NUMBERS ADD TO BASE CIRCUIT NUMBER											
		UP Position	CENTER Position	DOWN Position		Rocker Style		Indicator LED Color		Rocker LED Color		LED Voltage		Rocker Color		Lens Color	
						Type	Code	Color	Code	Type	Code	Type	Code	Color	Code	Color	Code
<b>NON-ILLUMINATED</b>																	
15A 125V ac	1 P.S.T.	2-3 OFF	NONE NONE	OFF	8064K10 8064K11	1 Inch Paddle	S	Red	R Y G	NONE	Z	14V dc	1	Black	B	Clear	1
	1 P.D.T.	2-3	OFF	2-1	8064K14												
		2-3*	NONE	2-1	8064K12												
	2-3*	OFF	2-1	8064K17													
15A 28V dc	2 P.S.T.	2-3, 5-6 OFF	NONE NONE	OFF	8064K20 8064K21	1.5 Inch Paddle	L	Yellow	G	NONE	Z	28V dc	2	White	W	White ①	2
		2 P.D.T.	2-3, 5-6 OFF	OFF	2-1, 5-4*												
	2-3, 5-6		NONE	2-1, 5-4	8064K22												
	2-3, 5-6*	OFF	2-1, 5-4	8064K27													
<b>ILLUMINATED</b>																	
15A 125V ac	1 P.S.T.	2-3	OFF	2-1	8065K10	Rocker	B	Red	R Y G	Red	R Y G	14V dc	1	Black	B	Clear	1
15A 28V dc								Yellow		Yellow				28V dc			
								Green		Green				Red	R	White ①	2
														Grey	G		

\*Momentary Contact.

① White lenses are furnished unassembled.

### Terminal Type:

Switch — standard 6.35mm (.250") spade, tintillate plated brass.

Integral indicator — 2.79 x .813mm (.110 x .032") spade, tintillate plated brass.

### Base Material:

Thermoset molding material.

### Rocker Material:

Thermoplastic rocker actuators. Different colors are available. The rocker and the bezel are a high grade nylon and are supplied with an aesthetically pleasing matte finish.

### Lamps:

Durable, long-life LED illumination; 14V dc is standard. Integral indicator is illuminated by two independent green, yellow or red LEDs while the actuator is lighted using one dependent LED. For additional LED voltages and /or colors, consult your customer service representative.

### Rocker Type:

Non-illuminated — Rocker or Paddle.

Illuminated — Rocker.

### Dielectric:

1,000V RMS, minimum.

### Mounting Means:

Snap-in mounting with plastic bezel.

### Mechanical Life:

Momentary — 25,000.

Maintained — 100,000.

### Lenses:

All switches can be ordered with either a frosted clear lens (Cat. No. 28-5555) or a translucent white lens (Cat. No. 28-5555-2). The clear lens will allow the maximum amount of diffused light to flow through your label or one of ours. The white lens is shipped unassembled to facilitate the addition of your engraved or pad-printed legend.

### Labels:

The lens area of the integral indicator will accept a label 19.05 x 11.43 x .25mm (.750 x .450" and .010") thick. Our selection of standard labels with white legends on black polycarbonate background can be found on [page 15](#).

### Options:

- Additional colors of rockers and mounting bezels are available.
- Special circuits.
- Special ratings.
- Dry circuit capabilities.
- Pad-printed legends on lens, rocker and bezel.
- Special indicator legend labels.
- Special LEDs and LED voltages.
- Special actuators.
- Reversing jumpers.
- Solder terminals and other terminal types.
- Wire leads.
- Polarized lock-on connector: 28-5558. [See page 32](#).
- Full size Euro-look panel plugs: 17-19544-2. [See page 33](#).

For information on optional features, consult the customer service center listed on the back cover of this catalog.

### Approvals:

Underwriter recognized and recognize component for Canada (CUR marked): file 2702.



8064K10BRR1B1  
ESPORT



8065K10BYG1B1  
ESPORT



8065K10BGG1B1  
ESPORT

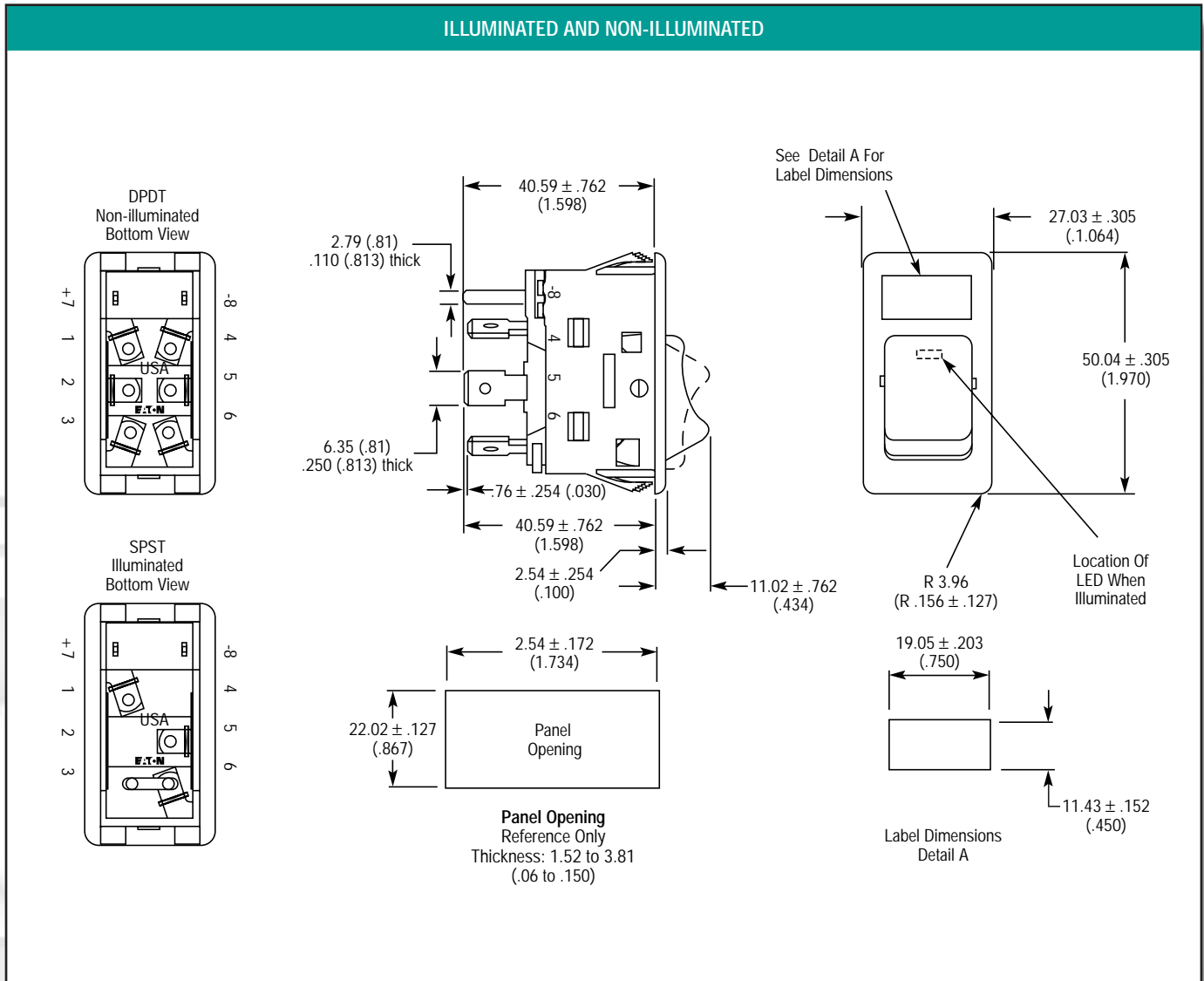


8064K10BYZ1B1L  
ESPORT

# 2 ROCKER SWITCHES






## ESPORT Full Size Rocker Switches (continued)

**DIMENSIONS** APPROXIMATE IN MM (INCHES)



## LEGEND/ICON SELECTION TABLE

- All labels below come with adhesive backing.
- Label legends are distinct and easily readable when illuminated from behind.
- Additional labels are available upon request. Contact your Customer Service Representative.

Legend	Style	Ordering Code ❶	Icon	Description	Ordering Code ❶
Dome Light	Helvetica Narrow 3.43(.135) High White Translucent Letters Opaque Black Background	0055		<b>Windshield Wiper</b> SAE Specification No. J1362-0086 White graphic on a black background.	0057
Work Light		0056			
TV /VCR		0065			
Fridge		0066		<b>Windshield Washer</b> SAE Specification No. J1362-0087 White graphic on a black background.	0986
Cruise ON/OFF		0067			
Brake Select		0068			
Brake ON/OFF		0069			
Fan Override		0071		<b>Master Lighting Switch</b> SAE Specification No. J1362-5012 White graphic on a black background.	0687
Cruise Set		0681			
Engine Break		0682		<b>Master Lighting Switch</b> SAE Specification No. J1362-5012 White graphic on a black background.	0684
Left Window	0683				
Power Mirror	0688		<b>Master Lighting Switch</b> SAE Specification No. J1362-0456 White graphics on a black background	0686	
Right Window	0689				

❶ Ordering code: If a standard label is required, add the Ordering Code suffix to the end of ESPORT Switch part number preceded by a dash. Example: To order **8065K10BYR1B1** with the **0684 Fog Lights** label, the part number will be **8065K10BYR1B1-0684**.

# 2 ROCKER SWITCHES

## New Generation Rocker (NGR)

### DESCRIPTION

Eaton presents its New Generation Rocker (NGR) Series. This field-proven line of full sized rocker switches, initially developed for the Heavy Truck Industry is now found in a variety of vehicle related applications. The NGR offers both European styling and ergonomic design while still providing the solid durability that you have come to expect from Eaton switches. Illuminated and non-illuminated versions with either incandescent bulbs or LED's are available in

either dependent or independent circuits and in a variety of popular switching circuits. The NGR also offers a variety of rocker buttons and indicators with laser-etched or pad printed icons, insertable lenses and adhesive-backed labels.

### SPECIFICATIONS

#### Ratings:

15A @ 125V ac, 10A@ 250V ac.  
15A @ 28V dc (14V dc rating).  
Approvable under stringent UL and CSA standards.

For information, contact your Eaton Sales Representative.

#### Circuits:

SPST, SPDT, DPST, and DPDT.  
Maintained and momentary action.

#### Contact Mechanism:

Slow-Make/Slow-Break  
Contact Mechanism.

Butt action contact mechanism designed specifically for use on ac and low voltage dc applications.

## FLEXIBLE ORDERING SYSTEM

PAGE

You can order assembled switches or the switch base and actuator separately.

Use the final code in the switch base catalog number (page 18) to denote assembly instructions.



**Switch Base** ..... 18



**Rocker Button/Actuator** ..... 24-25



**Lens** ..... 26



**Indicator Base** ..... 18



**NGR Complete Indicator** ..... 26



**Indicator Cap** ..... 27

### REFERENCE

Circuit Diagrams for Switch Body Catalog Number	19-23
Icons for Rockers, Indicators and Indicator Caps	28-29
Dimensions	30-31
Accessories	32-33



**Contact Material:**

*Standard Construction:*

Movable — Copper alloy with silver alloy contact face button.

Stationary — Silver-plated copper alloy with silver alloy contact face button.

**Mechanical Life:**

250,000 operations, minimum.

**Terminal Type:**

Standard .250" spade, silver-plated copper alloy.

**Base Material:**

High grade thermoplastic molding material.

**Dielectric:**

1,000V RMS, minimum.

**Operating Temperature Range:**

-40 °C to +85 °C.

**Mounting Means:**

Snap-in mounting with plastic bezel.

**Mounting Hole:**

Rectangular panel cutout 44 x 22mm (1.734 x .867").

**Panel Thickness:**

1.0 to 4.0mm (.040 to .156"). Best results obtained between 1.5 and 3.0mm (.060 and .118"). On sealed versions, recommended panel thickness between 2.0 and 3.0mm (.079 and .118").

**Sealing:**

Standard switch provides splash and dust resistance to IP42. The sealed version is sealed to IP67 when supplied with panel seal.

**Rocker:**

The standard actuator for the NGR is a clean, European-styled, two face rocker made of high quality thermoplastic material. The rocker is replaceable and snaps on and off the switch. Both the rocker and the bezel are supplied with an aesthetically pleasing matte finish.

Different colors are also available, but black is standard. Rockers can be ordered separately.

**Lighting:**

Each switch is capable of accommodating two incandescent light bulbs or LED's for lighting purposes. A lamp or LED can be located at either end of the switch and oriented to be circuit dependent or independent. The incandescent bulbs are front replaceable. Two lamp or LED voltages, 14V dc and 28V dc are standard. For additional voltages or colors, consult your Eaton Sales Representative.

**Legends:**

Two legend areas are provided on the ends of each rocker of sufficient size to accommodate two lines consisting of four Helvetica Narrow 12 point characters. Legends may be non-illuminated or illuminated. The NGR offers three styles of illuminated legends.

*Single Piece Back-Lit* — Back-lighting is a high quality automotive/truck industry technique. The legend can appear daylight white or dead-front when non-illuminated but, depending on the back-lit color chosen, will change color when illuminated. Examples of standard back-lit legends are found on [pages 28-29](#).

*Snap-In Lenses* — This rocker will have either one or two snap-in lenses in the legend areas. Legends are typically pad-printed on the lens in black or white. Snap-in lenses are available in six standard colors and can be ordered separately.

*Label Rocker* — This rocker has a one-piece adhesive backed label inserted into a recessed area on the face of the button. Legends can be done in several colors and be illuminated or non-illuminated.

Contact Eaton Sales Representative for suggested sources.

**Options:**

- Common lamp ground jumper for dual lamp units.
- Multiple LED's for daylight readability.
- Additional colors of rockers, mounting bezels, and lenses are available.
- Special circuits.
- Special ratings.
- Pad-printed legends on lens, rocker and bezel.
- Special lamps and lamp voltages.
- Dry circuit capabilities.
- Custom back-lit legends available.
- Reversing jumpers (internal).
- Gang mounting system. [See page 33](#).
- Locking rocker with locking feature in "UP", and/or "DOWN" positions.
- Indicators with laser etched, or insertable lenses or adhesive labels.
- IP67 rated sealed switch.
- Polarized lock-on connectors: [See page 32](#).
  - 28-5637-2 for Packard terminals.
  - 28-5940 for AMP terminals.
- Panel plug: 17-21543.
- Replacement bulb Cat. No.:
  - 14V . . . 28-5907.
  - 28V . . . 28-5909.

For more information on additional options, contact your Eaton Sales Representative.

**Approvals:**

Approvable under stringent UL and CSA standards. For information, contact your Eaton Sales Representative.



Sealed NGR Switch with Decorative Rocker



Palm Guard Top with Decorative Rocker



NGR Indicator



NGR Switch with Locking Rocker

# 2 ROCKER SWITCHES

## New Generation Rocker Switches (continued)

### HOW TO ORDER — SWITCH BASE/INDICATOR BASE

To determine your Complete Catalog Number, you must start with the appropriate Base Catalog Number and add the appropriate Suffix Letters and/or Numbers as in the example below:

Add each appropriate Number or Letter...								...to get to your Complete Catalog Number
Basic Prefix	Circuit Number	Frame Style	Frame Color	Switch Contact Plating	"A" Lamp Type and Color	"B" Lamp Type and Color	Rocker Assembled	Complete Catalog Number
NGR	1501	1	B	N	A	0	Y	NGR15011BNA0Y
NGRIND					A	0	—	NGRINDA0

### SWITCH BASE/INDICATOR BASE SELECTION TABLE

Switch Series (Unsealed)	Circuit and Lamp Configuration	LETTERS AND NUMBERS — ADD TO BASE CIRCUIT NUMBER											
		Frame Style		Frame Color		Switch Contact Plating ①		"A" Lamp: Type and Color		"B" Lamp: Type and Color		Rocker Assembled	
		Style	Code	Color	Code	Plating	Code	Type and Color	Code	Type and Color	Code	Assembled	Code
<b>SWITCH BASE</b>													
NGR	See pages 19-23. Circuits show lighting options available.	Rocker and Paddle Frame	1	Black	B	Standard	N	No Lamp	0	No Lamp	0	Yes No (To Order Rocker Button, See Pages 24-25)	Y N
		Palm Guard Top	2					14V dc Incand. Clear	A	14V dc Incand. Clear	A		
		Palm Guard Bottom	3					28V dc Incand. Clear	B	28V dc Incand. Clear	B		
		Panel Seal and Internal Seal	S					14V LED Red	R	14V LED Red	R		
		Locking Rocker Locks in DOWN Position	G					14V LED Green	G	14V LED Green	G		
		Locking Rocker Locks in UP and DOWN Positions	D					14V LED Amber	Y	14V LED Amber	Y		
		Locking Rocker Locks in UP Position	F					28V LED Red	K	28V LED Red	K		
		Internal Seal	T					28V LED Green	L	28V LED Green	L		
								28V LED Amber	T	28V LED Amber	T		
								28V LED Blue	X	28V LED Blue	X		
<b>INDICATOR BASE ②</b>													
NGRIND												N/A	

① Switch Contact Construction Plating

- N = Standard (Recommended for use on loads up to 12 Amps @ 14V dc).
- T = High Rated (Recommended for use on loads greater than 12 Amps @ 14V dc).
- G = Gold (Recommended for use on dry circuit / low level switching).

② See pages 26-27 to order indicator caps and lenses. To order a complete indicator, see page 26.

## STANDARD CIRCUIT DIAGRAMS ①

Circuit Number	Schematic (Shown in UP Position)	Circuit w/Rocker in		
		UP Position	CENTER Position	DOWN Position
<b>SINGLE POLE</b>				
1001		ON	NONE	OFF
		2B-3	—	—
1501		ON	NONE	OFF
		2B-3-9	—	—
1502		ON	NONE	OFF
		2B-3-10	—	—
1503		ON	NONE	OFF
		2B-3	—	—
1504		ON	NONE	OFF
		2B-3	—	—
1505		ON	NONE	OFF
		2B-3-9	—	—
1506		ON	NONE	OFF
		2B-3-10	—	—
1507		ON	NONE	OFF
		2B-3-9-10	—	—
1508		ON	NONE	OFF
		2B-3	—	—
1002		MOM ON	NONE	OFF
		2B-3	—	—
1521		MOM ON	NONE	OFF
		2B-3-9	—	—
1522		MOM ON	NONE	OFF
		2B-3-10	—	—
1523		MOM ON	NONE	OFF
		2B-3	—	—
1524		MOM ON	NONE	OFF
		2B-3	—	—

Circuit Number	Schematic (Shown in UP Position)	Circuit w/Rocker in		
		UP Position	CENTER Position	DOWN Position
<b>DOUBLE POLE</b>				
2001		ON	NONE	OFF
		2B-3 5B-6	—	—
2501		ON	NONE	OFF
		2B-3-9 5B-6	—	—
2502		ON	NONE	OFF
		2B-3-10 5B-6	—	—
2503		ON	NONE	OFF
		2B-3 5B-6	—	—
2504		ON	NONE	OFF
		2B-3 5B-6	—	—
2505		ON	NONE	OFF
		2B-3-9 5B-6	—	—
2506		ON	NONE	OFF
		2B-3-10 5B-6	—	—
2507		ON	NONE	OFF
		2B-3-9-10 5B-6	—	—
2508		ON	NONE	OFF
		2B-3 5B-6	—	—
2002		MOM ON	NONE	OFF
		2B-3 5B-6	—	—
2521		MOM ON	NONE	OFF
		2B-3-9 5B-6	—	—
2522		MOM ON	NONE	OFF
		2B-3-10 5B-6	—	—
2523		MOM ON	NONE	OFF
		2B-3 5B-6	—	—
2524		MOM ON	NONE	OFF
		2B-3 5B-6	—	—

① For additional circuit diagrams, contact your local Eaton Sales Representative.

# 2 ROCKER SWITCHES

## New Generation Rocker Switches (continued)

### STANDARD CIRCUIT DIAGRAMS ①

Circuit Number	Schematic (Shown in UP Position)	Circuit w/Rocker in		
		UP Position	CENTER Position	DOWN Position
<b>SINGLE POLE</b>				
1525		MOM ON	NONE	OFF
		2B-3-9	—	—
1526		MOM ON	NONE	OFF
		2B-3-10	—	—
1528		MOM ON	NONE	OFF
		2B-3	—	—
1003		ON	NONE	ON
		2B-3	—	2B-1
1541		ON	NONE	ON
		2B-3-9	—	2B-1
1542		ON	NONE	ON
		2B-3-10	—	2B-1
1543		ON	NONE	ON
		2B-3	—	2B-1
1544		ON	NONE	ON
		2B-3	—	2B-1
1545		ON	NONE	ON
		2B-3-9	—	2B-1
1546		ON	NONE	ON
		2B-3-10	—	2B-1
1547		ON	NONE	ON
		2B-3-9	—	2B-1-10
1548		ON	NONE	ON
		2B-3	—	2B-1
1004		ON	OFF	ON
		2B-3	—	2B-1
1561		ON	OFF	ON
		2B-3-9	—	2B-1

Circuit Number	Schematic (Shown in UP Position)	Circuit w/Rocker in		
		UP Position	CENTER Position	DOWN Position
<b>DOUBLE POLE</b>				
2525		MOM ON	NONE	OFF
		2B-3-9 5B-6	—	—
2526		MOM ON	NONE	OFF
		2B-3-10 5B-6	—	—
2528		MOM ON	NONE	OFF
		2B-3 5B-6	—	—
2003		ON	NONE	ON
		2B-3 5B-6	—	2B-1 5B-4
2541		ON	NONE	ON
		2B-3-9 5B-6	—	2B-1 5B-4
2542		ON	NONE	ON
		2B-3-10 5B-6	—	2B-1 5B-4
2543		ON	NONE	ON
		2B-3 5B-6	—	2B-1 5B-4
2544		ON	NONE	ON
		2B-3 5B-6	—	2B-1 5B-4
2545		ON	NONE	ON
		2B-3-9 5B-6	—	2B-1 5B-4
2546		ON	NONE	ON
		2B-3-10 5B-6	—	2B-1 5B-4
2547		ON	NONE	ON
		2B-3-9 5B-6	—	2B-1-10 5B-4
2548		ON	NONE	ON
		2B-3 5B-6	—	2B-1 5B-4
2004		ON	OFF	ON
		2B-3 5B-6	—	2B-1 5B-4
2561		ON	OFF	ON
		2B-3-9 5B-6	—	2B-1 5B-4

① For additional circuit diagrams, contact your local Eaton Sales Representative.

## STANDARD CIRCUIT DIAGRAMS ①

Circuit Number	Schematic (Shown in UP Position)	Circuit w/Rocker in		
		UP Position	CENTER Position	DOWN Position
<b>SINGLE POLE</b>				
1562		ON	OFF	ON
		2B-3-10	—	2B-1
1563		ON	OFF	ON
		2B-3	—	2B-1
1564		ON	OFF	ON
		2B-3	—	2B-1
1565		ON	OFF	ON
		2B-3-9	—	2B-1
1566		ON	OFF	ON
		2B-3-10	—	2B-1
1567		ON	OFF	ON
		2B-3-9	—	2B-1-10
1568		ON	OFF	ON
		2B-3	—	2B-1
1005		MOM ON	OFF	MOM ON
		2B-3	—	2B-1
1581		MOM ON	OFF	MOM ON
		2B-3-9	—	2B-1
1582		MOM ON	OFF	MOM ON
		2B-3-10	—	2B-1
1583		MOM ON	OFF	MOM ON
		2B-3	—	2B-1
1584		MOM ON	OFF	MOM ON
		2B-3	—	2B-1
1585		MOM ON	OFF	MOM ON
		2B-3-9	—	2B-1
1586		MOM ON	OFF	MOM ON
		2B-3-10	—	2B-1

Circuit Number	Schematic (Shown in UP Position)	Circuit w/Rocker in		
		UP Position	CENTER Position	DOWN Position
<b>DOUBLE POLE</b>				
2562		ON	OFF	ON
		2B-3-10 5B-6	—	2B-1 5B-4
2563		ON	OFF	ON
		2B-3 5B-6	—	2B-1 5B-4
2564		ON	OFF	ON
		2B-3 5B-6	—	2B-1 5B-4
2565		ON	OFF	ON
		2B-3-9 5B-6	—	2B-1 5B-4
2566		ON	OFF	ON
		2B-3-10 5B-6	—	2B-1 5B-4
2567		ON	OFF	ON
		2B-3-9 5B-6	—	2B-1-10 5B-4
2568		ON	OFF	ON
		2B-3 5B-6	—	2B-1 5B-4
2005		MOM ON	OFF	MOM ON
		2B-3 5B-6	—	2B-1 5B-4
2581		MOM ON	OFF	MOM ON
		2B-3-9 5B-6	—	2B-1 5B-4
2582		MOM ON	OFF	MOM ON
		2B-3-10 5B-6	—	2B-1 5B-4
2583		MOM ON	OFF	MOM ON
		2B-3 5B-6	—	2B-1 5B-4
2584		MOM ON	OFF	MOM ON
		2B-3 5B-6	—	2B-1 5B-4
2585		MOM ON	OFF	MOM ON
		2B-3-9 5B-6	—	2B-1 5B-4
2586		MOM ON	OFF	MOM ON
		2B-3-10 5B-6	—	2B-1 5B-4

① For additional circuit diagrams, contact your local Eaton Sales Representative.

# 2 ROCKER SWITCHES

## New Generation Rocker Switches (continued)

### STANDARD CIRCUIT DIAGRAMS ①

Circuit Number	Schematic (Shown in UP Position)	Circuit w/Rocker in		
		UP Position	CENTER Position	DOWN Position
<b>SINGLE POLE</b>				
1587		MOM ON	OFF	MOM ON
		2B-3-9	—	2B-1-10
1588		MOM ON	OFF	MOM ON
		2B-3	—	2B-1
1006		MOM ON	OFF	ON
		2B-3	—	2B-1
1601		MOM ON	OFF	ON
		2B-3-9	—	2B-1
1602		MOM ON	OFF	ON
		2B-3-10	—	2B-1
1603		MOM ON	OFF	ON
		2B-3	—	2B-1
1604		MOM ON	OFF	ON
		2B-3	—	2B-1
1605		MOM ON	OFF	ON
		2B-3-9	—	2B-1
1606		MOM ON	OFF	ON
		2B-3-10	—	2B-1
1607		MOM ON	OFF	ON
		2B-3-9	—	2B-1-10
1608		MOM ON	OFF	ON
		2B-3	—	2B-1
3003 ②		ON	ON	OFF
		2B-3	2A-2B	—
3541 ②		ON	ON	OFF
		2B-3	2A-2B	—
3542 ②		ON	ON	OFF
		2B-3	2A-2B	—

Circuit Number	Schematic (Shown in UP Position)	Circuit w/Rocker in		
		UP Position	CENTER Position	DOWN Position
<b>DOUBLE POLE</b>				
2587		MOM ON	OFF	MOM ON
		2B-3-9 5B-6	—	2B-1-10 5B-4
2588		MOM ON	OFF	MOM ON
		2B-3 5B-6	—	2B-1 5B-4
2006		MOM ON	OFF	ON
		2B-3 5B-6	—	2B-1 5B-4
2601		MOM ON	OFF	ON
		2B-3-9 5B-6	—	2B-1 5B-4
2602		MOM ON	OFF	ON
		2B-3-10 5B-6	—	2B-1 5B-4
2603		MOM ON	OFF	ON
		2B-3 5B-6	—	2B-1 5B-4
2604		MOM ON	OFF	ON
		2B-3 5B-6	—	2B-1 5B-4
2605		MOM ON	OFF	ON
		2B-3-9 5B-6	—	2B-1 5B-4
2606		MOM ON	OFF	ON
		2B-3-10 5B-6	—	2B-1 5B-4
2607		MOM ON	OFF	ON
		2B-3-9 5B-6	—	2B-1-10 5B-4
2608		MOM ON	OFF	ON
		2B-3 5B-6	—	2B-1 5B-4
3004 ②		ON	ON	OFF
		2B-3 5B-6	2A-2B 5A-5B	—
3561 ②		ON	ON	OFF
		2B-3-9 5B-6	2A-2B 5A-5B	—
3562 ②		ON	ON	OFF
		2B-3 5B-6	2A-2B 5A-5B	—

① For additional circuit diagrams, contact your local Eaton Sales Representative.

② Schematics shown in CENTER position.

## STANDARD CIRCUIT DIAGRAMS ❶

Circuit Number	Schematic (Shown in UP Position)	Circuit w/Rocker in		
		UP Position	CENTER Position	DOWN Position
<b>DOUBLE POLE</b>				
3001		ON	ON	ON
		2B-3 5B-6	5B-4 2B-3	5B-4 2B-1
3501		ON	ON	ON
		2B-3-9 5B-6	5B-4 2B-3-9	5B-4 2B-1
3502		ON	ON	ON
		2B-3-10 5B-6	5B-4 2B-3	5B-4 2B-1
3503		ON	ON	ON
		2B-3 5B-6	5B-4 2B-3	5B-4 2B-1

Circuit Number	Schematic (Shown in UP Position)	Circuit w/Rocker in		
		UP Position	CENTER Position	DOWN Position
<b>DOUBLE POLE</b>				
3002		2 – ON	1 – ON	OFF
		2B-3 5B-6	2B-3 5B-4	2B-1 5B-4
3521		2 – ON	1 – ON	OFF
		2B-3 5B-6	2B-3 5B-4	2B-1 5B-4
3522		2 – ON	1 – ON	OFF
		2B-3 5B-6	2B-3 5B-4	2B-1 5B-4
3523		2 – ON	1 – ON	OFF
		2B-3 5B-6	2B-3 5B-4	2B-1 5B-4

## EURO-STANDARD CIRCUIT DIAGRAMS ❶

Circuit Number	Schematic (Shown in DOWN Position)	Circuit w/Rocker in		
		UP Position	CENTER Position	DOWN Position
<b>SINGLE POLE</b>				
5001		OFF	NONE	ON
		—	—	2B-1
5501		OFF	NONE	ON
		—	—	2B-1-9
5502		OFF	NONE	ON
		—	—	2B-1-10
5503		OFF	NONE	ON
		—	—	2B-1
5504		OFF	NONE	ON
		—	—	2B-1
5505		OFF	NONE	ON
		—	—	2B-1-9
5506		OFF	NONE	ON
		—	—	2B-1-10
5508		OFF	NONE	ON
		—	—	2B-1

Circuit Number	Schematic (Shown in DOWN Position)	Circuit w/Rocker in		
		UP Position	CENTER Position	DOWN Position
<b>SINGLE POLE</b>				
5002		OFF	NONE	MOM ON
		—	—	2B-1
5521		OFF	NONE	MOM ON
		—	—	2B-1-9
5522		OFF	NONE	MOM ON
		—	—	2B-1-10
5523		OFF	NONE	MOM ON
		—	—	2B-1
5524		OFF	NONE	MOM ON
		—	—	2B-1
5525		OFF	NONE	MOM ON
		—	—	2B-1-9
5526		OFF	NONE	MOM ON
		—	—	2B-1-10
5528		OFF	NONE	MOM ON
		—	—	2B-1

❶ For additional circuit diagrams, contact your local Eaton Sales Representative.

# 2 ROCKER SWITCHES

## New Generation Rocker Switches (continued) Rocker Button/Actuator

### HOW TO ORDER — ROCKER BUTTON/ACTUATOR

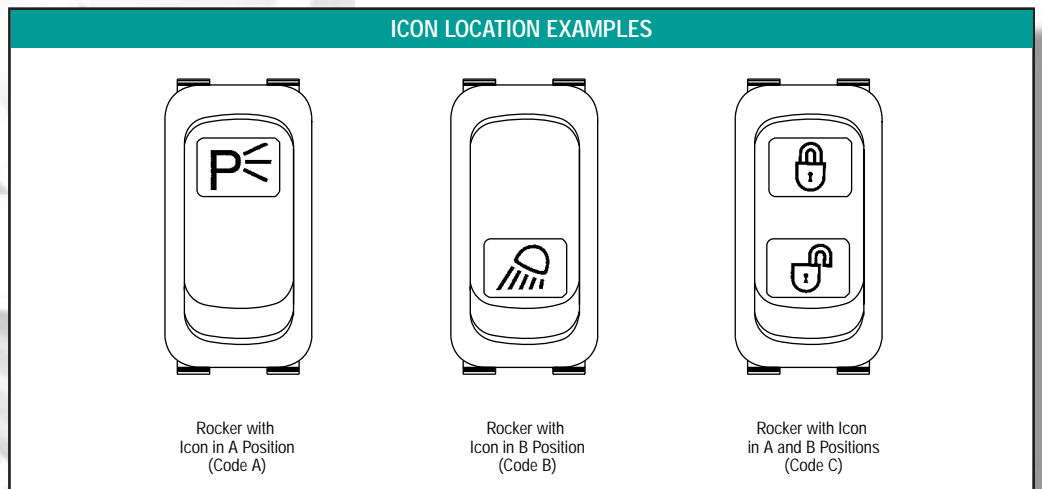
To determine your **Complete Catalog Number**, you must start with the appropriate **Rocker Button Type** and add the appropriate **Code Letters and/or Numbers** as in the examples below:

Add each appropriate Number or Letter...											...to get to your Complete Catalog Number
Rocker Button Type	Icon Location	Icon "A"	Icon "A" Orientation	Icon "A" Color	Icon "A" Lighted Color or Lens Color	Icon "B"	Icon "B" Orientation	Icon "B" Color	Icon "B" Lighted Color or Lens Color	Indicator Stripe Color	Complete Catalog Number
2	A	AA	A	3	B	—	—	—	—	2	2AAAA3B2
3	C	AF	A	1	B	AE	A	2	A	0	3CAFA1BAEA2A0

### ROCKER BUTTON / ACTUATOR SELECTION TABLE

CODE LETTERS AND NUMBERS											
Rocker Button Type		Icon Location		Icon "A"	Icon "A" Orientation		Icon "A" Color		Lighted Color "A" or Lens Color		
Type	Code	Location	Code	Code	Orientation	Code	Color	Code	Color	Code	
<b>ICON A</b>											
Two Face No Lens Rocker	1						No Icon – No Color	0			
Two Face "SIL" Rocker (Snap-in Lens)	2	"A" Icon Only "B" Icon Only "A" and "B" Icons No Icon	A	See icon selection table on pages 28-29	Standard Orientation	A	Daylight White (Decorative Rocker Only)	1	Red	A	
Decorative Rocker (Back-lit)	3		B		90° Clockwise	B	Dead Front (Decorative Rocker Only)	2	Green	B	
Decorative Paddle (Back-lit)	4		C		180° Clockwise	C	White (Two Face Rocker Only)	3	Amber	C	
Locking Rocker	5		D		270° Clockwise	D	Black (Two Face Rocker Only)	4	Blue	E	
Label Rocker	6		O		No Icon – No Orientation	O	White (Two Face Rocker Only)	5	White	F	
									Clear	G	
							Non-lighted or No Lens		O		

NOTES: Pad printed legends on the decorative rocker or paddle are not available.



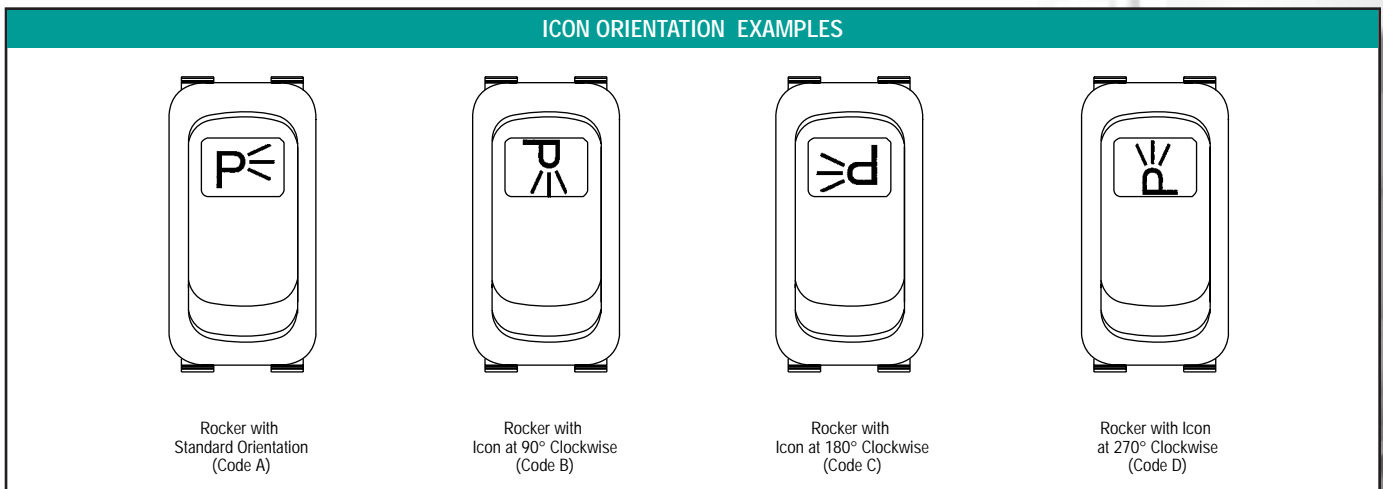




**ROCKER BUTTON / ACTUATOR SELECTION TABLE (continued)**

CODE LETTERS AND NUMBERS									
Icon "B" Type	Icon "B" Orientation		Icon "B" Color		Lighted Color "B" or Lens Color "B"		Indicator Stripe Location		
Code	Orientation	Code	Color	Code	Color	Code	Location	Code	
<b>ICON B</b>									
See icon selection table on pages 28-29	No Icon – No Color		No Icon – No Color	0					
	Standard Orientation	A	Daylight White (Decorative Rocker Only)	1	Red	A	A Position	1	
			Dead Front (Decorative Rocker Only)	2	Green	B			
			White (Two Face Rocker Only)	3	Amber	C			
	90° Clockwise	B	White (Two Face Rocker Only)	3	Blue	E	B Position	2	
			Black (Two Face Rocker Only)	4	White	F	A and B Positions	3	
	180° Clockwise	C			Clear	G	No Stripe	0	
270° Clockwise	D			Non-lighted or No lens	O				
No Icon – No Orientation	O								

NOTES: Pad printed legends on the decorative rocker or paddle are not available.



# 2 ROCKER SWITCHES

## New Generation Rocker Switches (continued) Indicator & Lens

### HOW TO ORDER — NGR COMPLETE INDICATOR

To determine your Complete Catalog Number, you must start with the appropriate Indicator Type and add the appropriate Code Letters and/or Numbers as in the examples below:

Select each appropriate Number or Letter...										...to get to your Complete Catalog Number
Indicator Type	Icon Location	Icon "A"	Lamp/LED Type and Color	Icon "A" Color	Icon "A" Lighted Color or Lens Color	Icon "B"	Lamp/LED Type and Color	Icon "B" Color	Icon "B" Lighted Color or Lens Color	Complete Catalog Number
3N	B	—	—	—	—	AA	A	3	A	3NBAAA3A
2N	C	AA	A	3	A	BB	A	3	A	2NCAAA3ABBA3A

### NGR COMPLETE INDICATOR SELECTION TABLE

CODE LETTERS AND NUMBERS																		
Indicator Type		Icon Location		Icon "A"	Lamp/Led Type and Color		Icon "A" Color		Icon "A" Lighted Color or Lens Color		Icon "B"	Lamp/LED Type and Color		Icon "B" Color		Icon "B" Lighted Color or Lens Color		
Style	Code	Location	Code	Code	Type and Color	Code	Type and Color	Code	Color	Code	Code	Color	Code	Type and Color	Code	Color	Code	
Two Face "SIL" (Snap-in Lens) Laser – Etched Label	2N 3N 6N	"A" Icon Only "B" Icon Only "A" and "B" Icons No Icon	A B C D	See icon table on pages 28-29	14V dc Incand. Clear	A	No Icon-No Color	0					14V dc Incand. Clear	A	No Icon-No Color	0		
					28V dc Incand. Clear	B	Daylight White	1	Red	A	No Lamp/LED	O	Daylight White	1	Red	A		
					No Lamp/LED	O	Dead Front (Decorative Rocker Only)	2	Green	B	14V LED Red	R	Dead Front (Decorative Rocker Only)	2	Green	B		
					14V LED Red	R	White (Two Face Rocker Only)	3	Amber	C	14V LED Green	G	White (Two Face Rocker Only)	3	Blue	E		
					14V LED Green	G	Black (Two Face Rocker Only)	4	Blue	E	14V LED Amber	Y	Black (Two Face Rocker Only)	4	White	F		
					14V LED Amber	Y	Lens Hole (No Lens)	5	White	F	28V LED Red	K	Lens Hole (No Lens)	5	Clear	G		
					28V LED Red	K			Clear	G	28V LED Green	L						
					28V LED Green	L					28V LED Amber	T						
					28V LED Amber	T												

To order indicator base only, see page 18.  
To order indicator cap only, see page 27.

### HOW TO ORDER — LENS (See table on page 27 for lens selection)

To determine your Complete Catalog Number, you must start with the appropriate Base Catalog Number and add the appropriate Code Letters and/or Numbers as in the example below:

Add each appropriate Number or Letter...			...to get to your Complete Catalog Number
Base Catalog Number	Icon	Orientation	Complete Catalog Number
28-5863-2	AA	A	28-5863-2AAA

See Table On Page 27

## HOW TO ORDER — INDICATOR CAP

To determine your Complete Catalog Number, you must start with the appropriate Indicator Type and add the appropriate Code Letters and/or Numbers as in the examples below:

Select each appropriate Number or Letter...								...to get to your Complete Catalog Number
Indicator Type	Icon Location	Icon "A"	Icon "A" Color	Icon "A" Lighted or Lens Color	Icon "B"	Icon "B" Color	Icon "B" Lighted or Lens Color	Complete Catalog Number
3CAP	A	BB	1	C	—	—	—	3CAPABB1C
3CAP	C	BB	1	C	AA	1	B	3CAPCBB1CAA1B

## INDICATOR CAP SELECTION TABLE (To order Indicator Base, see page 18)

CODE LETTERS AND NUMBERS														
Indicator Type		Icon Location		Icon "A"	Icon "A" Color		Icon "A" Lighted Color or Lens Color		Icon "B"	Icon "B" Color		Icon "B" Lighted Color or Lens Color		
Style	Code	Location	Code	Code	Type and Color	Code	Color	Code	Code	Type and Color	Code	Color	Code	
Two Face "SIL" (Snap-in Lens)	2CAP	"A" Icon Only	A	See icon table on pages 28-29	No Icon- No Color	0				See icon table on pages 28-29	No Icon- No Color	0		
					Daylight White	1			Daylight White		1			
					Dead Front ❶ (Decorative Rocker Only)	2	Red	A	Dead Front ❶ (Decorative Rocker Only)		2	Red	A	
					White ❷ (Two Face Rocker Only)	3	Green	B	White ❷ (Two Face Rocker Only)		3	Green	B	
					Black ❷ (Two Face Rocker Only)	4	Amber	C	Black ❷ (Two Face Rocker Only)		4	Amber	C	
Decorative Laser – Etched Label	3CAP	"A" and "B" Icons	C	See icon table on pages 28-29	White ❷ (Two Face Rocker Only)	3	Blue	E	See icon table on pages 28-29	White ❷ (Two Face Rocker Only)	3	Blue	E	
					Black ❷ (Two Face Rocker Only)	4	White	F		Black ❷ (Two Face Rocker Only)	4	White	F	
Label	6CAP	No Icon	D	See icon table on pages 28-29	Lens Hole (No Lens)	5	Clear	G	See icon table on pages 28-29	Lens Hole (No Lens)	5	Clear	G	

❶ Decorative rocker only.

❷ Two face rocker only.

## LENS SELECTION TABLE























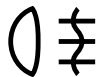












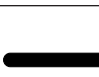




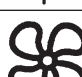


CODE LETTERS AND NUMBERS				
Lens		Icon	Orientation	
Color	Catalog Number	Code	Style	Code
<b>TRANSLUCENT LENSES</b>				
Red	28-5863-2	See Icon Selection Table on pages 28-29	Standard	A
Green	28-5863		Rotated 90° Clockwise	B
Amber	28-5863-3		Inverted 180°	C
Blue	28-5863-9		Rotated 270° Clockwise	D
<b>TRANSPARENT LENSES</b>				
Red	28-5863-5	See Icon Selection Table on pages 28-29	Standard	A
Green	28-5863-4		Rotated 90° Clockwise	B
Amber	28-5863-6		Inverted 180°	C
Blue	28-5863-10		Rotated 270° Clockwise	D



# 2 ROCKER SWITCHES

## New Generation Rocker Switches (continued)

STANDARD BACK-LIT LEGENDS/ICONS — Reference SAE Specification No. J1362 ①

Icon	Description	Code	Icon	Description	Code	Icon	Description	Code
	Horn	AA		Dehumidifier	AR		Turn Signals	BH
	Battery	AB		Headlights – Low/Dipped Beam	AS		Clearance/ Position Lights	BI
	Fast	AC		Work Light	AT		Turn Signal	BJ
	Slow	AD		Parking Light	AU		Rear Windshield Wiper	BK
	Lock	AE		Hazard Lights	AV		Heated Mirror	BL
	Unlock	AF		Headlights – High/Upper Beam	AW		Seat Adjustment– Up	BM
	Engine – Stop	AG		Rear Window Demister/Defroster	AX		Seat Adjustment– Down	BN
	Fuel	AH		Rear Fog Lights	AY	<b>3</b>	Third Gear	BP
	Master Lighting Switch	AJ		Front Fog Lights	BA	<b>1</b>	First Gear	BQ
	Windshield – Wiper	AK		Interior Dome Lights	BB		Beacon	BR
	Windshield – Washer	AL		Electrical Power Accessories	BC		PTO	BS
	Windshield – Washer and Wiper	AM		Radio	BD		Differential Lock	BT
	Windshield – Demister/Defroster	AN		Indicator Bar	BE		Rockshaft – Up	BU
	Air Conditioning/ Cooling System	AP		Engine – Electrical	BF		Rockshaft – Down	BV
	Ventilating/ Air Circulating Fan	AQ		Engine – Gas Injection	BG		Auxiliary Drive – Up	BW

① Additional icons are available. Contact local Eaton Sales Representative.

## STANDARD BACK-LIT LEGENDS/ICONS — Reference SAE Specification No. J1362 ①

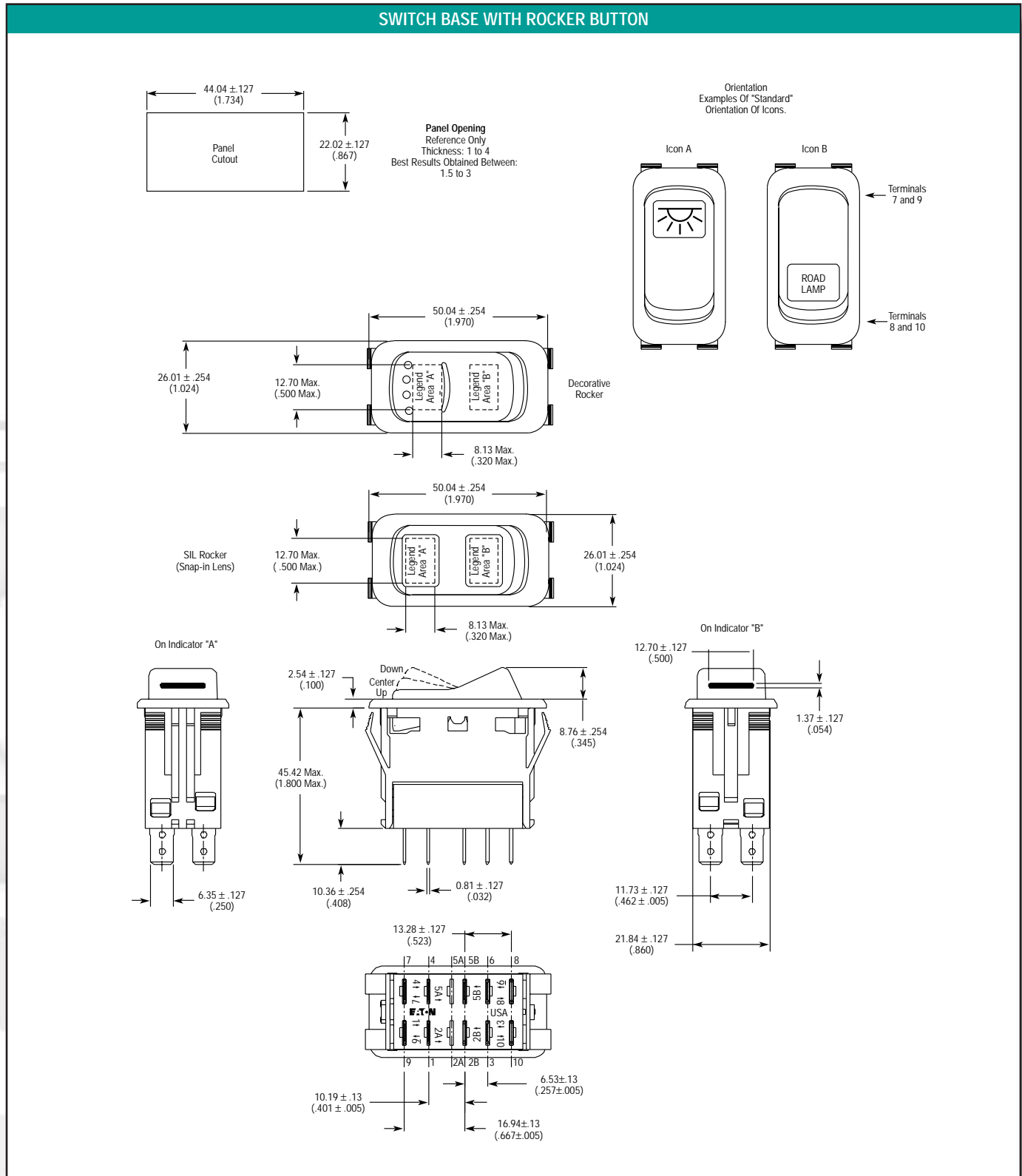
Icon	Description	Code	Icon	Description	Code	Icon	Description	Code
	Auxillary Drive – Down	BX		All Wheel Drive	CW		Door Open	EB
	Rear Window Washer	BZ		Off	DM		Door Close	EC
	Entry Step	CA		Engine – Diesel Preheat	DN		Baggage Area Light	ED
	Engine Brake	CB		Heated Seat	DP		Refreshments	EE
	Engine Brake 3 Stage	CC		Heated Mirror	DO	<b>SET</b>	Set	EF
	Engine Brake 2 Stage	XX		Driver's Light	DR	<b>RESUME</b>	Resume	EG
	Select Idle	CE		Driver's Fan	DS	<b>ETHER</b>	Ether	EH
	Heater	CF		Ramp In	DT		Engine Fan	EI
<b>CRUISE</b>	Cruise	CL		Ramp Out	DU		Baggage Lock	EJ
	Parking Brake	CP		Kneel Up	DV		Baggage Unlock	EK
	Alarm	CQ		Kneel Down	DW		Disabled	EL
	Retarder	CR	<b>START</b>	Start	DX		Door Locked	EM
	Heated Seat	CS	<b>STOP</b>	Stop	DY		Door Unlocked	EN
	Rear Alarm Cancel	CT		ABS Brake	DZ	<b>B/U CAMERA</b>	B/U Camera	EO
	Window Lift	CU		Kneel	EA		Cabin Ventilation	EP

① Additional icons are available, contact local Eaton sales representative.

# 2 ROCKER SWITCHES

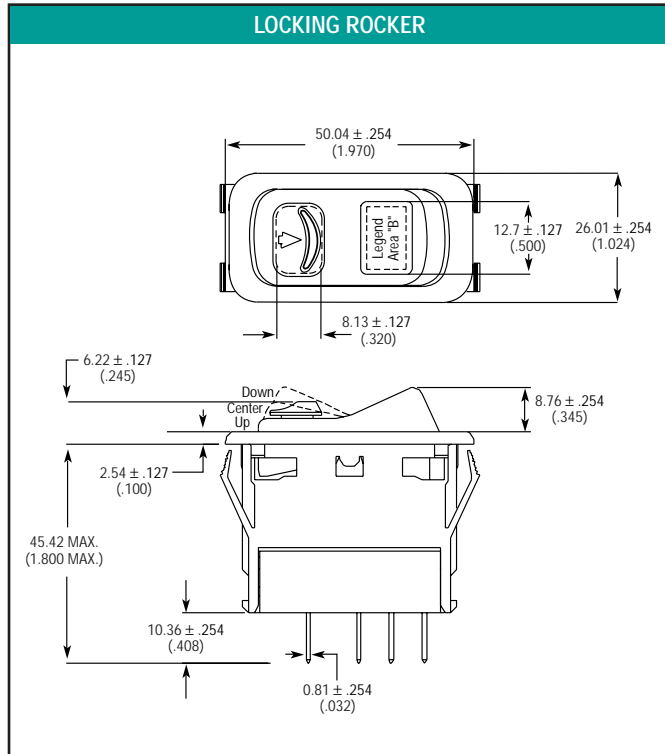
## New Generation Rocker Switches (continued)

DIMENSIONS APPROXIMATE IN MM (INCHES)

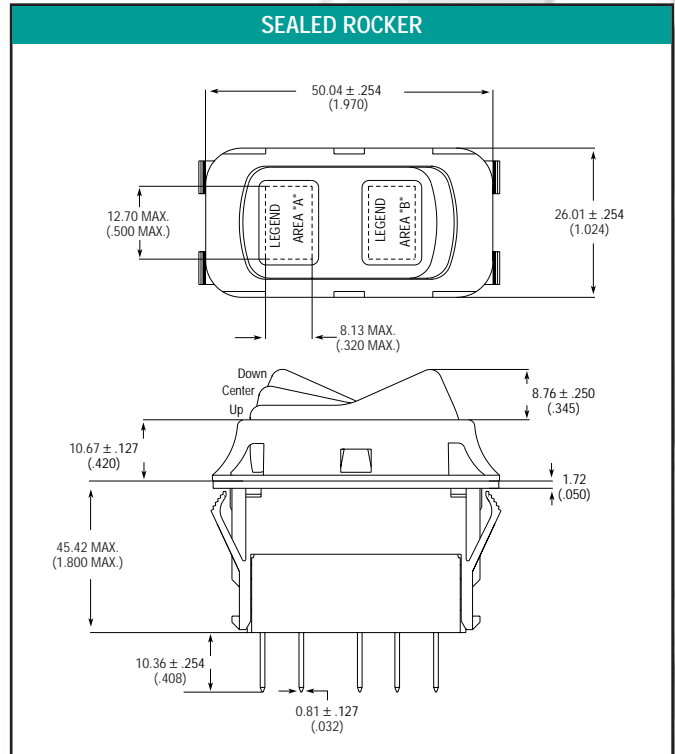


**DIMENSIONS** APPROXIMATE IN MM (INCHES)

**LOCKING ROCKER**

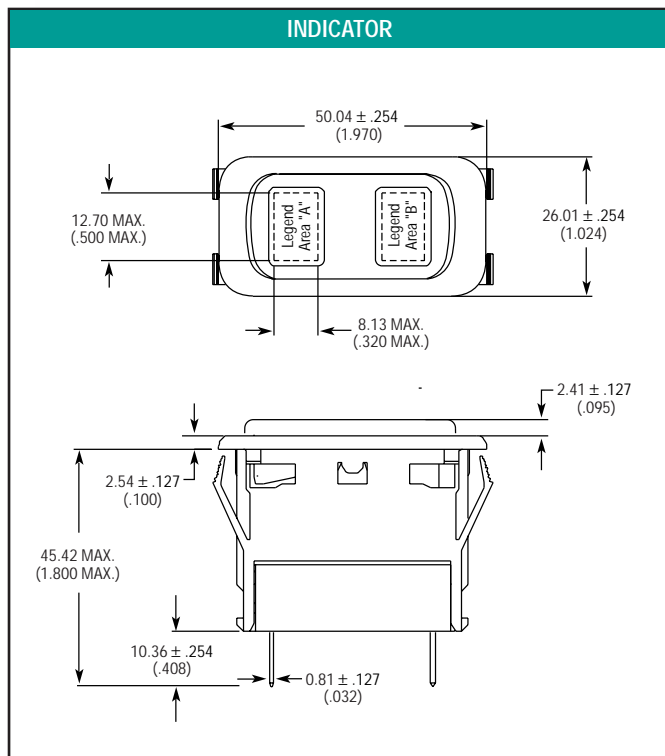


**SEALED ROCKER**

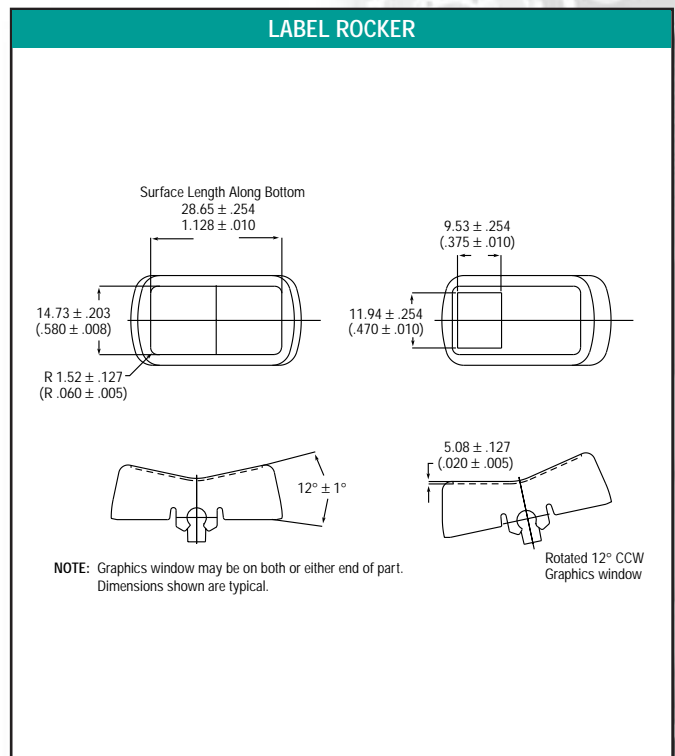


2

**INDICATOR**



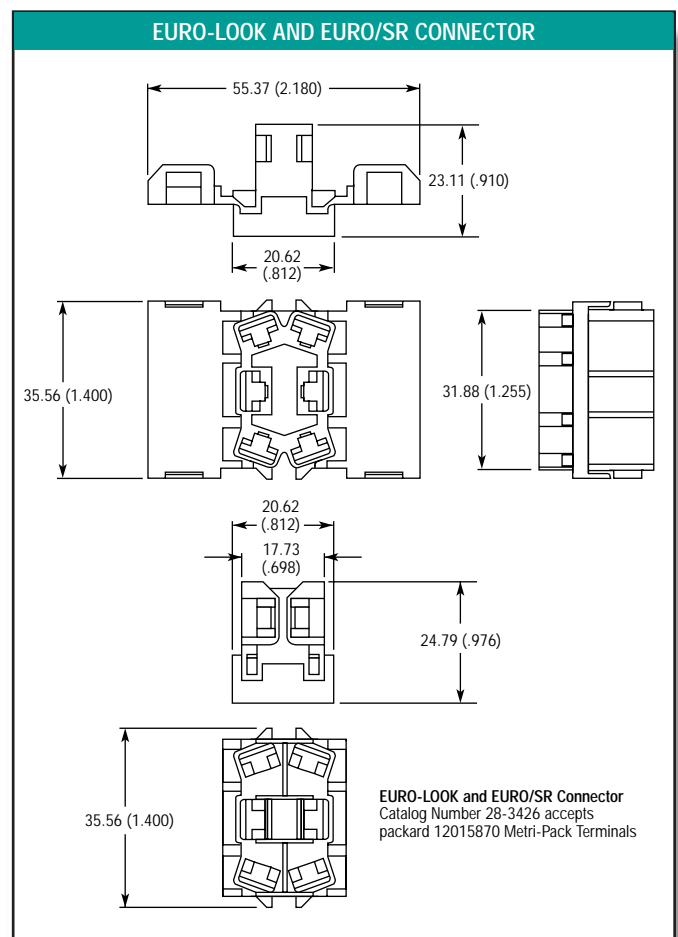
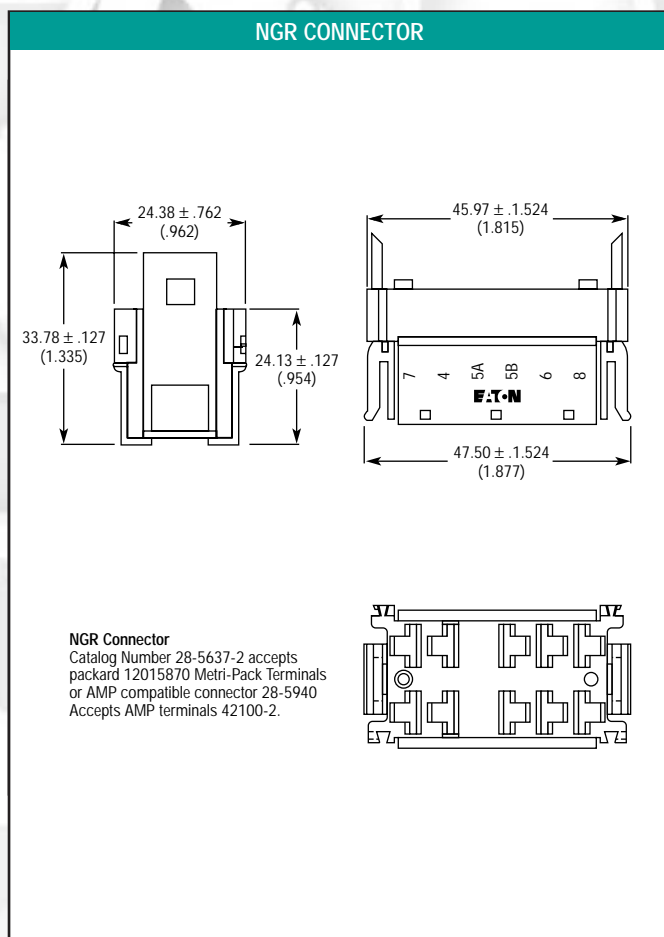
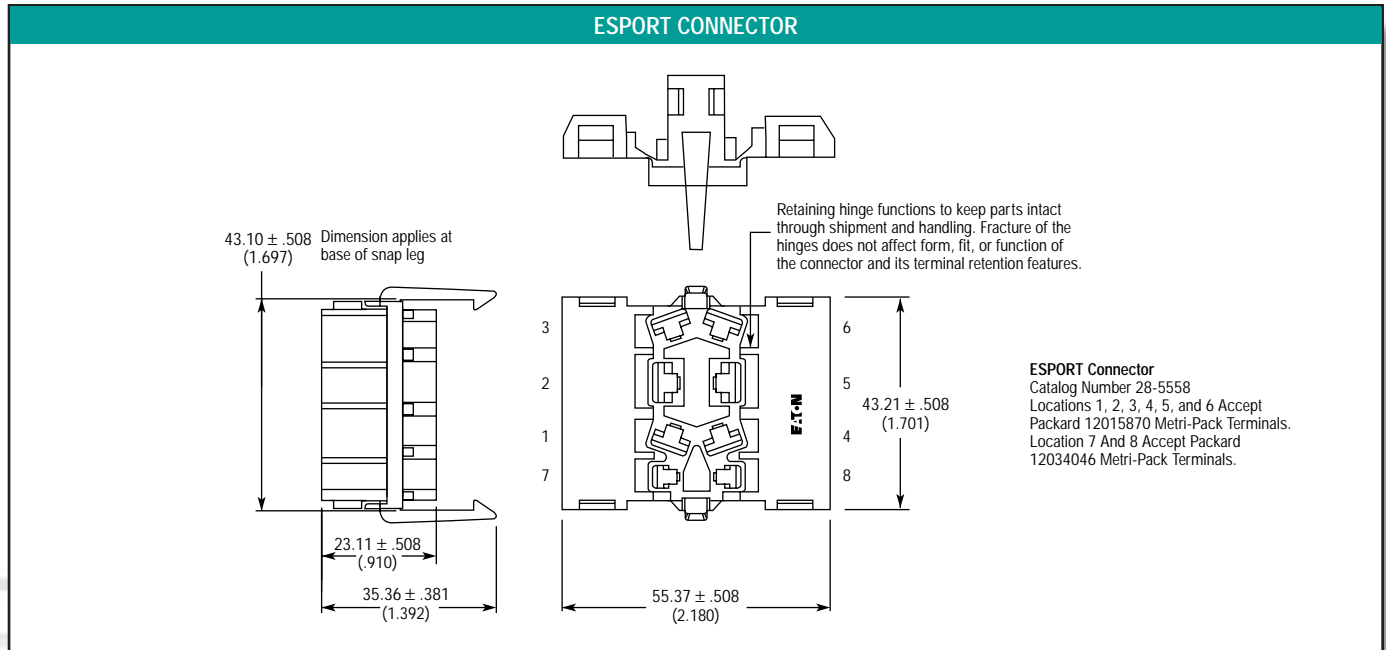
**LABEL ROCKER**



# 2 ROCKER SWITCHES

## Accessories

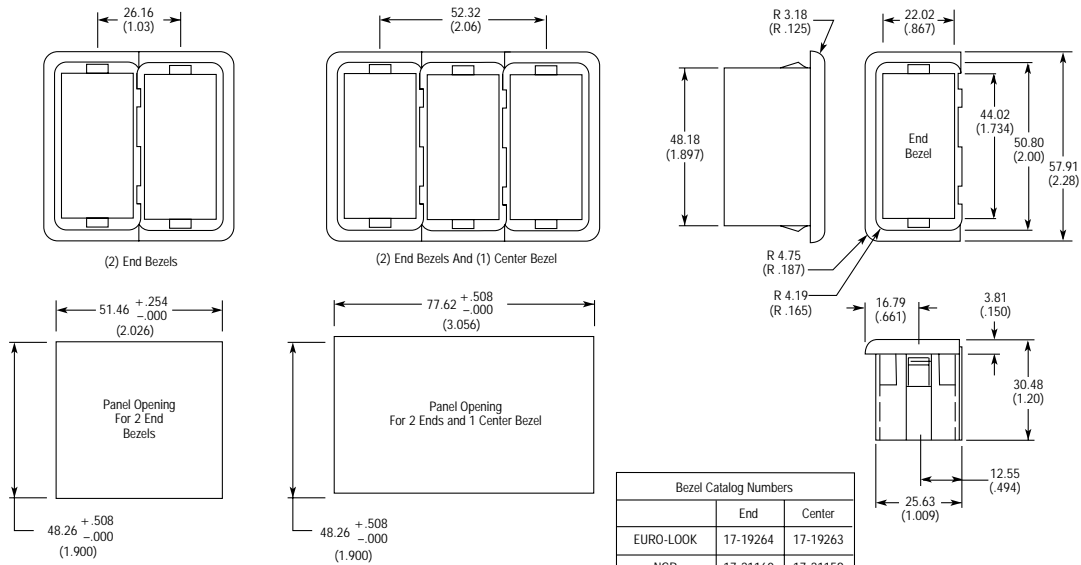
**DIMENSIONS** APPROXIMATE IN MM (INCHES)





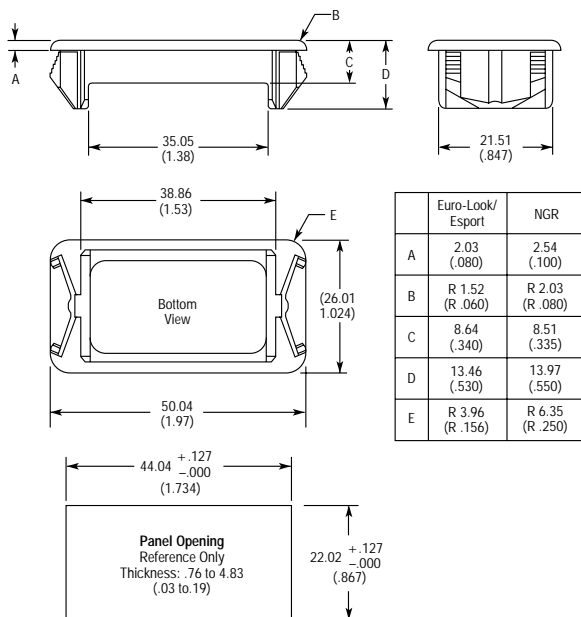
## DIMENSIONS APPROXIMATE IN MM (INCHES)

### GANG MOUNTING SYSTEM



**Panel Opening**  
Reference Only  
Thickness: 1.0 to 2.0 to 3.0  
(.039 to .078 to .118)  
Dimensions: 51.46 (2.026) + .254 -0.000 plus  
(number of center bezels) times 1.030  
Tolerance: +.254 -0.000 for each center  
bezel up to a maximum of +.050

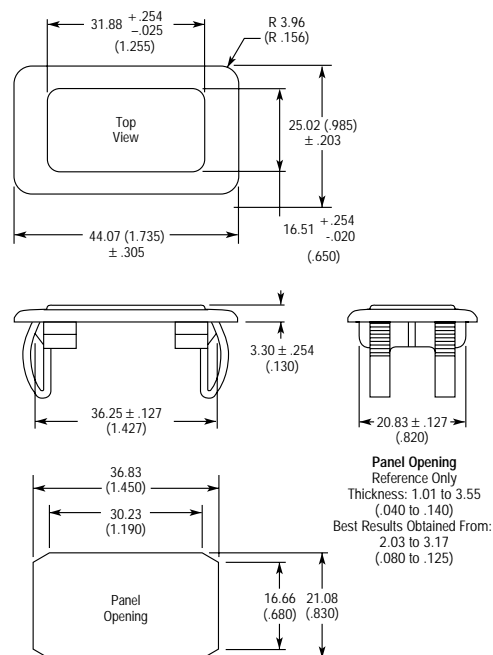
### EURO-LOOK, ESPORT & NGR PANEL PLUGS



Panel plug Catalog Number 17-19544-2  
For use with Euro-Look and ESPORT.  
NGR panel plug Catalog Number 17-21543

Part Will Also Fit Eaton  
Gang Mounting Boxes  
Catalog Number  
17-19263 and 17-19264.

### EURO/SR PANEL PLUGS



Panel plug Catalog Number 53-3318  
For use with EURO/SR

**Panel Opening**  
Reference Only  
Thickness: 1.01 to 3.55  
(.040 to .140)  
Best Results Obtained From:  
2.03 to 3.17  
(.080 to .125)

# VEHICLE CONTROLS

## Commercial Controls Facilities



- 1** Milwaukee, Wisconsin, USA  
Division Headquarters
- 2** Selma, North Carolina, USA
- 3** Arab, Alabama, USA
- 4** Reynosa, Mexico

- 5** Le Lieu, Switzerland
- 6** Casablanca, Morocco
- 7** Hsinchu, Taiwan

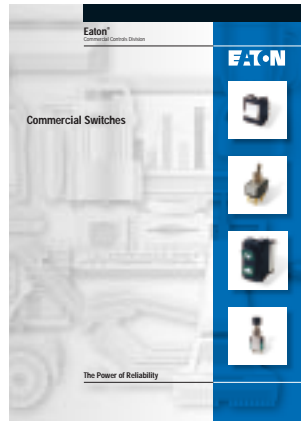
The Power of Reliability

# ADDITIONAL PRODUCTS

## Commercial Switch Catalog

### Other Switch Products

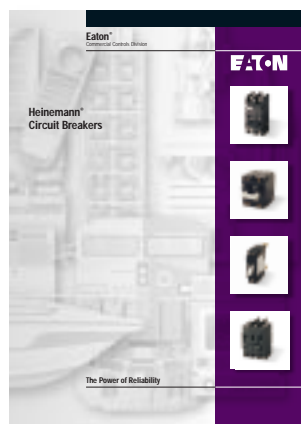
In addition to these controls designed specifically for the needs of commercial vehicle customers, Eaton offers several standard switch lines which have applications in commercial vehicle markets. These include toggles, miniature switches, pushbuttons, and mid-sized rocker switches. Ask your Eaton Sales Representative for details and refer to CCD's Commercial Switch Catalog.



## Circuit Breaker Catalog

### Heinemann® Hydraulic-Magnetic Circuit Breakers

In applications where operating over a wide temperature range or tripping at a precise amperage are important, Eaton CCD offers the Heinemann line of hydraulic-magnetic circuit breakers. These breakers are designed as equipment protection devices and are well suited for the demands of commercial and specialty vehicles. Ask your Eaton Sales Representative for details and refer to CCD's Heinemann® Circuit Breaker Catalog.



## Specialty Controls

In addition to our standard product offering, Eaton can adapt products and develop products which accommodate your specific needs. Working with your engineering staff at the concept stage, Eaton routinely designs solutions for specific customer needs. By leveraging existing product platforms, Eaton can create custom solutions with minimum lead-time and tooling investment by the customer.

### Ball Switches

Designed to work within the harshest engine and transmission environments, Eaton's specialty ball switches provide a proven solution to challenging switch needs.



### Handles

Working with you as the customer, Eaton can develop handles which incorporate several functions into one module with improved ergonomics and increased "hands-on" functionality.



### Snap Switches

Where specific form factors and sealing is needed, Eaton offers a focused line of snap switches designed around vehicle applications.





**Eaton Corporation**  
**Commercial Controls Division**  
4201 N. 27th Street  
Milwaukee, WI 53216  
Phone: (800) 526-5476; Fax: (414) 449-6760  
[www.commercialcontrols.eaton.com](http://www.commercialcontrols.eaton.com)

**Americas and Far East Customer Service**  
Phone: (800) 962-0820; Fax: (414) 449-6118

**Europe Customer Service**  
Phone: 44-1752-731155; Fax: 44-1752-737372

Publication VC.CAT.01 / 7.98 Supersedes Publication Rockers/9.96  
©1998 Eaton Corporation

**EATON**