

Series 800 Mighty Mouse with UN Mating Thread Printed Circuit Board Receptacle Ordering Info

800-012-02 and 800-012-07

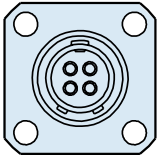


Series 800 PCB Receptacle

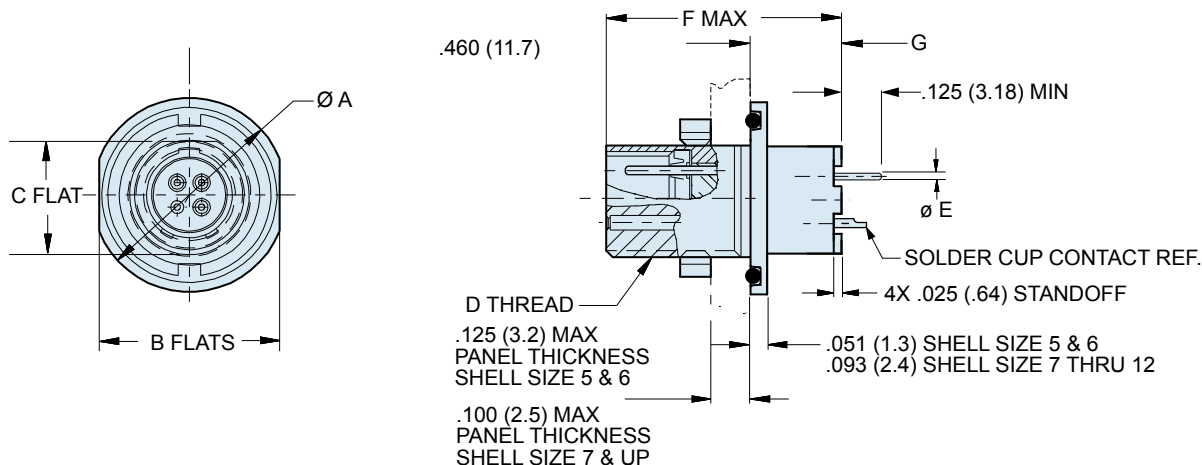
Printed Circuit Board/Solder Cup Receptacles feature low profile shells for minimum protrusion inside enclosures and integral board standoffs. Contacts are non-removable.

Water Immersion, Unmated

Specify **800-012** connectors for applications where open face water immersion is not a requirement. For MIL-STD-810 Method 512G immersion requirements, specify **800-040** watertight connectors. These 800-040 connectors are specially sealed ("MOD-518") and are 100% tested to maintain a helium leak rate of 1×10^{-4} cc/second at one atmosphere pressure differential from -40C to +70C.

| HOW TO ORDER | | | | | |
|---|---|--|--|---|--|
| Sample Part Number | | | | | |
| 800-012 | -07 | M | 7-10 | P | Z |
| Series | Shell Style | Shell Material / Finish | Shell Size- Insert Arrangement | Contact Type | Shell Key Position |
| 800-012 Receptacle for Solder Cup or PCB Termination, with Standard Epoxy Potting |  -02 Square Flange | C Aluminum / Black Anodize (Non-Conductive) RoHS Compliant M Aluminum / Electroless Nickel RoHS Compliant | SEE CONTACT ARRANGEMENTS PAGE C-2 | P Pin S Socket | N Normal X Pos. X |
| | | | | | |

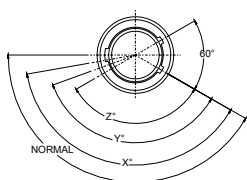
Dimensions in inches (millimeters) and are subject to change without notice.



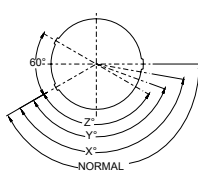
DIMENSIONS

| Shell Size | Ø A | | Ø B | | C | | D Threads Mating | Ø E Tail Dia. | F Max | | G | |
|------------|-------|-------|------|-------|------|-------|------------------|------------------------------|-------|-------|------|------|
| | In. | mm. | In. | mm. | In. | mm. | | | In. | mm. | In. | mm. |
| 5 | .541 | 13.74 | .500 | 12.70 | .285 | 7.24 | .3125-28 UN-2A | #23 .018/.022 (0.46/0.56) | .725 | 18.42 | .247 | 6.27 |
| 6 | .610 | 15.49 | .562 | 14.27 | .352 | 8.94 | .3750-28 UN-2A | | .725 | 18.42 | .247 | 6.27 |
| 7 | .670 | 17.02 | .635 | 16.13 | .411 | 10.44 | .4375-28 UNEF-2A | #20 .024/.028 (0.61/0.71) | .700 | 17.78 | .205 | 5.21 |
| 8 | .775 | 19.69 | .735 | 18.67 | .473 | 12.01 | .5000-32 UN-2A | | .700 | 17.78 | .205 | 5.21 |
| 9 | .875 | 22.23 | .806 | 20.47 | .530 | 13.46 | .5625-32 UN-2A | #16 .060/.064 (1.52/1.63) | .700 | 17.78 | .205 | 5.21 |
| 10 | .980 | 24.89 | .940 | 23.88 | .604 | 15.34 | .6250-32 UN-2A | | .700 | 17.78 | .205 | 5.21 |
| 12 | 1.062 | 26.97 | .986 | 25.04 | .712 | 18.08 | .7500-28 UN-2A | #12 .092/.096 (2.34/2.44) | .700 | 17.78 | .205 | 5.21 |

SERIES 800 KEY POSITIONS



Plug



Receptacle

Key Position

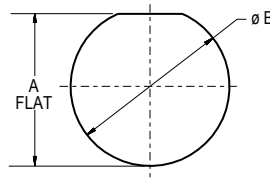
Normal (N)
X
Y
Z

Key Rotation

150°
140°
130°
120°

Shell size 5 and 6: master key is located at top dead center for normal (N) position. Shell size 7 thru 12: master key is rotated 90° from TDC for normal position.

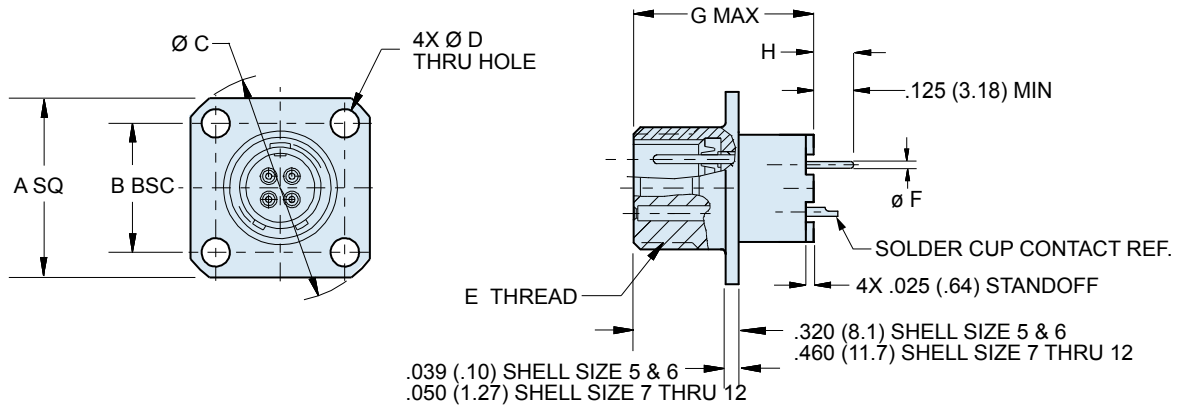
SERIES 800 PANEL CUTOUTS



| Shell Size | A Flat | | Ø B | |
|------------|-----------|-------------|-----------|-------------|
| | In. | mm. | In. | mm. |
| 5 | .295/.299 | 7.49/7.59 | .317/.327 | 8.05/8.30 |
| 6 | .358/.362 | 9.09/9.19 | .380/.390 | 9.65/9.91 |
| 7 | .424/.428 | 10.77/10.87 | .442/.452 | 11.23/11.48 |
| 8 | .479/.483 | 12.16/12.26 | .505/.515 | 12.83/13.08 |
| 9 | .537/.541 | 13.64/13.74 | .567/.577 | 14.40/14.66 |
| 10 | .610/.614 | 15.49/15.59 | .630/.640 | 16.00/16.26 |
| 12 | .717/.721 | 18.21/18.31 | .755/.765 | 19.18/19.43 |

Dimensions in inches (millimeters) and are subject to change without notice.

Series 800 Mighty Mouse with UN Mating Thread Printed Circuit Board Receptacle Dimensions Square Flange Receptacle 800-012-02



DIMENSIONS

| Shell Size | A SQ | | B | | Ø C | | Ø D | | E Threads Mating | Ø F Tail Dia. | G Max | | H | | |
|------------|-------|-------|------|-------|-------|-------|--------|--------|------------------|---------------|-----------------------|-------|-------|-------|-------|
| | In. | mm. | In. | mm. | In. | mm. | In. | mm. | | | In. | mm. | In. | mm. | |
| | | | | | | | ± .005 | ± 0.13 | | | | | | | |
| 5 | .527 | 13.39 | .363 | 9.22 | .680 | 17.27 | .094 | 2.39 | .3125-28 UN-2A | #23 | .725 | 18.42 | .426 | 10.82 | |
| 6 | .588 | 14.92 | .423 | 10.74 | .750 | 19.05 | .094 | 2.39 | .3750-28 UN-2A | | .018/.022 (0.46/0.56) | .725 | 18.42 | .426 | 10.82 |
| 7 | .650 | 16.51 | .483 | 12.27 | .830 | 21.08 | .128 | 3.25 | .4375-28 UNEF-2A | #20 | .700 | 17.78 | .255 | 6.48 | |
| 8 | .710 | 18.03 | .542 | 13.77 | .938 | 23.83 | .128 | 3.25 | .5000-32 UN-2A | | .024/.028 (0.61/0.71) | .700 | 17.78 | .255 | 6.48 |
| 9 | .938 | 23.83 | .719 | 18.26 | 1.250 | 31.75 | .128 | 3.25 | .5625-32 UN-2A | #16 | .700 | 17.78 | .255 | 6.48 | |
| 10 | .938 | 23.83 | .719 | 18.26 | 1.250 | 31.75 | .128 | 3.25 | .6250-32 UN-2A | | .060/.064 (1.52/1.63) | .700 | 17.78 | .255 | 6.48 |
| 12 | 1.031 | 26.19 | .812 | 20.62 | 1.375 | 34.93 | .128 | 3.25 | .7500-28 UN-2A | #12 | .092/.096 (2.34/2.44) | .700 | 17.78 | .255 | 6.48 |

SERIES 800 KEY POSITIONS

| Key Position | Key Rotation | | |
|--|--------------|--------------------------|--------------------------------|
| Normal (N) | 150° | <p>Plug Key Position</p> | <p>Receptacle Key Position</p> |
| X | 140° | | |
| Y | 130° | | |
| Z | 120° | | |
| <p>Shell size 5 and 6: master key is located at top dead center for normal (N) position. Shell size 7 thru 12: master key is rotated 90° from TDC.</p> | | | |

Dimensions in inches (millimeters) and are subject to change without notice.