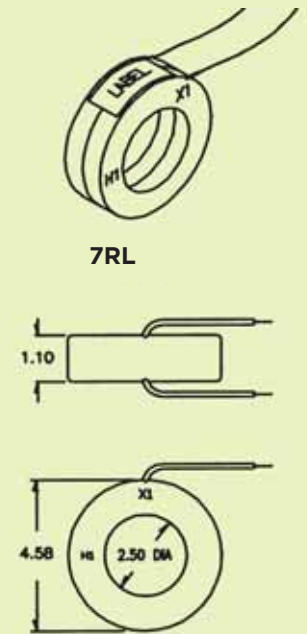
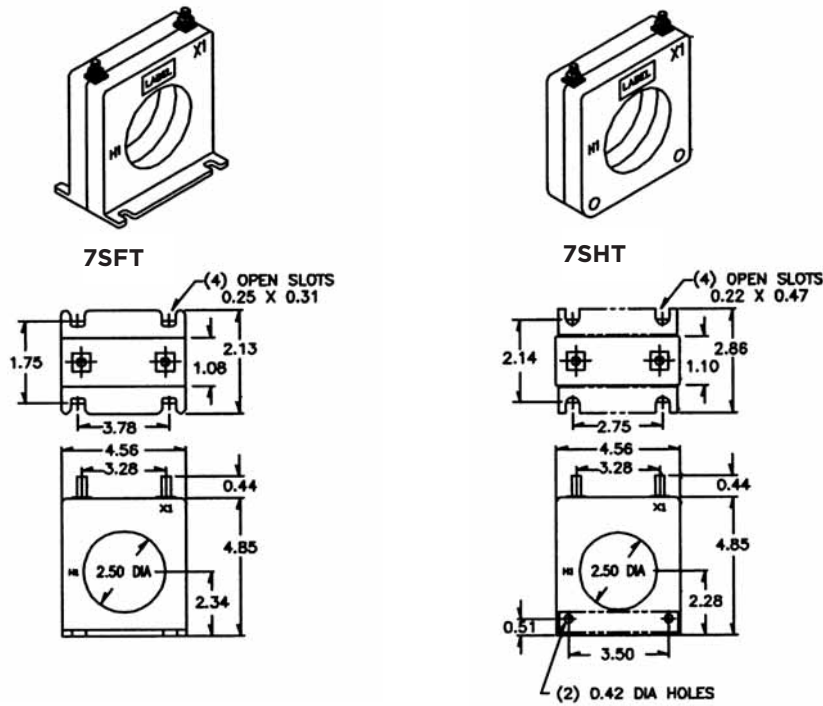


# Model 7

Window Diameter 2.50"



Catalogue Number	Current Ratio	Accuracy at 60Hz	Burden VA at 60Hz
7**-101	100:5	± 2%	2.0
7**-151	150:5	± 1%	5.0
7**-201	200:5	± 1%	5.0
7**-251	250:5	± 1%	5.0
7**-301	300:5	± 1%	12.5
7**-401	400:5	± 1%	15.0
7**-501	500:5	± 1%	25.0
7**-601	600:5	± 1%	30.0
7**-751	750:5	± 1%	30.0
7**-801	800:5	± 1%	35.0
7**-102	1000:5	± 1%	35.0
7**-122	1200:5	± 1%	35.0
7**-152	1500:5	± 1%	40.0
7**-162	1600:5	± 1%	45.0

**\*\*NOTE:** When ordering, prefix Catalogue Number with model designation required, i.e. 7SFT - 500, 7RL - 500, etc.

### Application:

With ammeters, wattmeters and cross current compensation.

### Frequency:

50-400Hz

### Insulation Level:

- 600 Volts, 10kV BIL full wave
- Flexible leads are UL 1015 105°C, CSA approved #16 AWG, 24" long
- Non-standard length to be specified
- Terminals are brass studs No. 8 - 32 UNC with one flat washer, lockwasher and regular nut
- SFT and SHT case styles also available as SFL and SHL with leads
- Mounting bracket kit when required for Model 7SHT
- Approximate weight: 1.5 lbs

Approvals

