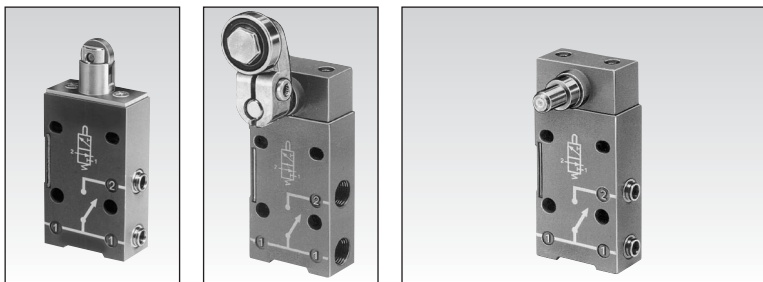


"Compact" series position detectors

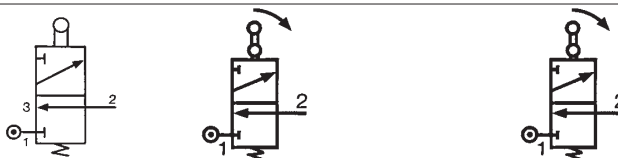


1

Part numbers

Features	Direct acting 81 922 401	Rotary actuator 81 922 205	Rotary actuator 81 922 010	Rotary actuator 81 922 210
Version	Roller plunger with unthreaded barrel	Right-hand rotary head with roller lever (CNOMO)	Programmable rotary head without lever	Programmable rotary head without lever

Symbol



Characteristics

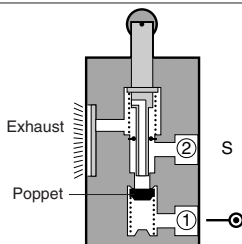
BSP		—		1/8		—		1/8	
Connection	push-in for semi-rigid tubing O.D.(NFE 49100)	inches (mm)	5/32" (4)	—	5/32" (4)	—	5/32" (4)	—	—
Operating pressure	psi (bar)		2 > 120 (0.1>8)	2 > 120 (0.1>8)	2 > 120 (0.1>8)	2 > 120 (0.1>8)	2 > 120 (0.1>8)	2 > 120 (0.1>8)	2 > 120 (0.1>8)
Bore diameter	inches (mm)		0.118 (3)	0.118 (3)	0.118 (3)	0.118 (3)	0.118 (3)	0.118 (3)	0.118 (3)
Flow at 90 psi (6 bars)	cfm (Nm ³ /h)		7 (12)	7 (12)	7 (12)	7 (12)	7 (12)	7 (12)	7 (12)
Activation force at 90 psi (6 bars)	oz (daN)		90 (2.5)	90 (2.5)	90 (2.5)	90 (2.5)	90 (2.5)	90 (2.5)	90 (2.5)
Circuit function: NC			●	●	●	●	●	●	●
Mechanical life	operations		10 million	10 million	10 million	10 million	10 million	10 million	10 million
Silenced or connectable (1/8) exhaust			●	●	●	●	●	●	●
Operating temperature	°F (°C)		+20>+120 (-5>+50)	+20>+120 (-5>+50)	+20>+120 (-5>+50)	+20>+120 (-5>+50)	+20>+120 (-5>+50)	+20>+120 (-5>+50)	+20>+120 (-5>+50)
Weight	(grams)		150	193	175	175	175	175	175

Accessories

Accessories	Part number	—	1/8	—	1/8
Lever with roller	plastic 79 452 103	—	●	●	●
	bearing 79 452 104	—	●	●	●
Lever with adjustable roller	plastic 79 452 123	—	●	●	●
	bearing 79 452 124	—	●	●	●
Adjustable steel rod lever	79 452 133	—	●	●	●

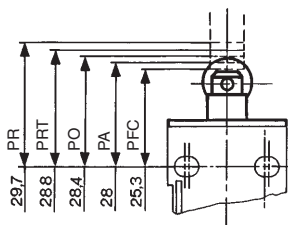
2

Principle of operation



Vertical attack

Detectors with roller plunger with unthreaded barrel.

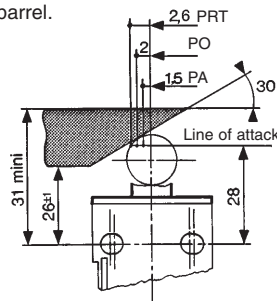


Actuation positions :

- PA : Operating position (max output kV)
- PFC : End of travel position
- PO : Mid-position closed (no exhaust, no outlet)
- PRT : Release position (max exhaust kV)
- PR : Rest position

Horizontal attack

Detectors with roller plunger with unthreaded barrel.



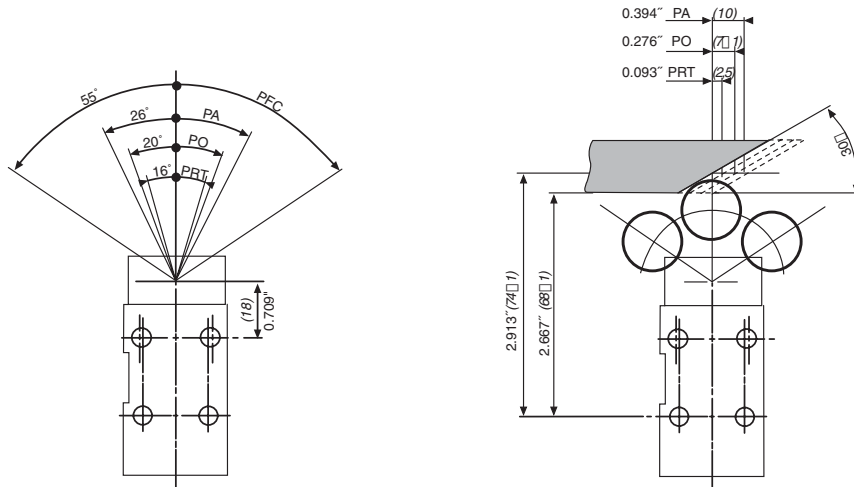
Other information

The detectors 81 922 010 and 81 922 210 can operate to both left and right.

Products and specifications subject to change without notice.

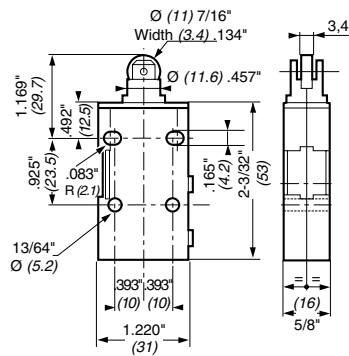
Order/Technical Support – Tel: (800) 677-5311 / FAX: (800) 677-3865 / www.crouzet-usa.com

Rotary actuator
 Detectors with levers
 81 922 - 81 922 0 - 81 922 2

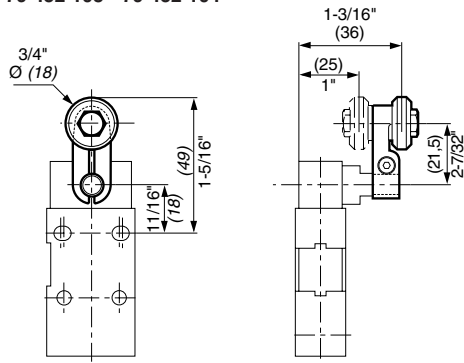


Dimensions

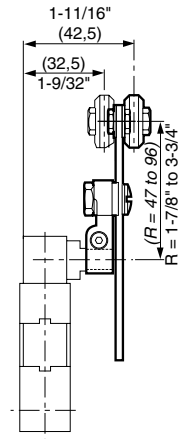
81 922 401



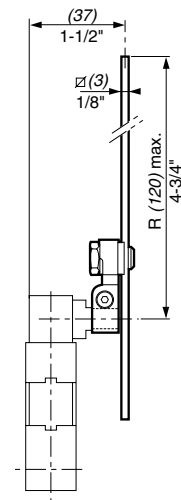
81 922 205 - 81 922 0 - 81 922 2
 79 452 103 - 79 452 104



79 452 123 - 79 452 124



79 452 133



Use (metric) dimensions for critical data.

To order, specify :

Standard products

1 Part number **2** Accessory

Standard products, non stocked

Example : "Compact" series position detectors 81 922 010 - Lever with plastic roller 79 452 103

Products and specifications subject to change without notice.

Order/Technical Support – Tel: (800) 677-5311 / FAX: (800) 677-3865 / www.crouzet-usa.com