

Product data sheet

Subminiature connectors

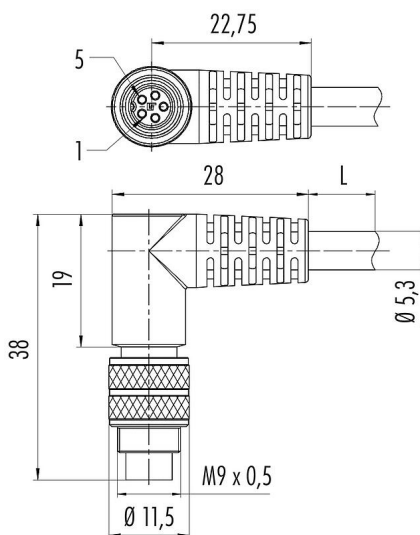


Product description	M9 IP67 male angled connector, Contacts: 8, shielded, moulded on cable, IP67, PUR black, 8 x 0.14 mm ²
Area	M9 IP67 series 702
Order number	79 1425 75 08

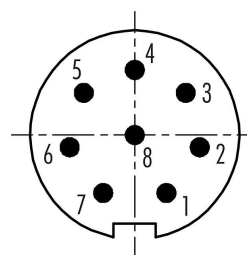
Illustration



Scale drawing



Contact arrangement (Plug-in side)



- 1 white
- 2 brown
- 3 green
- 4 yellow
- 5 grey
- 6 pink
- 7 blue
- 8 red

Technical data

General features

Order number	79 1425 75 08
Connector design	male angled connector
Cable length	5 m
Version	connector male angled
Connector locking system	screw
Termination	moulded on cable
Degree of protection	IP67
Cross-sectional area	0.14 mm ² / AWG 26
Temperature range from/to	-25 °C / 70 °C
Mechanical operation	> 500 Mating cycles
Weight (g)	219
Customs tariff number	85444290

Electrical parameters

Rated voltage	125 V
Rated impulse voltage	1500 V
Rated current (40 °C)	1 A
Insulation resistance	≥ 10 ¹⁰ Ω
Pollution degree	1
Overvoltage category	II

Product data sheet

Subminiature connectors



Product description	M9 IP67 male angled connector, Contacts: 8, shielded, moulded on cable, IP67, PUR black, 8 x 0.14 mm ²
Area	M9 IP67 series 702
Order number	79 1425 75 08

Insulating material group	III
EMC compliance	shielded
Shield connection	Shield on the threaded ring

Material

Housing material	PUR
Contact body material	PBT (UL94 V-0)
Contact material	CuZn (brass)
Contact plating	Au (gold)
Locking material	CuZn (Brass nickel plated)
REACH SVHC	CAS 7439-92-1 (Lead)

Classifications

eCl@ss 11.1	27-06-03-11
ETIM 7.0	EC001855

Declarations of conformity

Low Voltage Directive	2014/35/EU (EN 60204-1:2018;EN 60529:1991)
RoHS Directive	2011/65/EU (EN 50581:2012)

Cable data - Structure of the cable

Cable diameter	5.4 mm
Cross section	8 x 0.14 mm ²
Sheath material	PUR
Single-lead insulation	PVC
Single-lead structure	18x0.1 mm
Cable color	black

Cable data - Electrical properties

Conductor resistance	148 Ω/Km (20°C)
----------------------	-----------------

Cable data - Mechanical properties

Bending radius, fixed cable	≥ 15 x Ø
Bending radius, moving cable	≥ 75 x Ø
Bending cycles	>1 million
Permitted acceleration	max. 3 m/sec ²
Travel distance, horizontal	max. 5 m
Travel distance, vertical	max. 2 m

Product data sheet

Subminiature connectors



Product description	M9 IP67 male angled connector, Contacts: 8, shielded, moulded on cable, IP67, PUR black, 8 x 0.14 mm²
Area	M9 IP67 series 702
Order number	79 1425 75 08

Cable data - Thermal properties

Temperature range cable in move from/to	-5°C / +80°C
Temperature range cable fixed from/to	-25 °C / +80°C

Cable data - Other features

Halogen free	No
--------------	----

Product description	M9 IP67 male angled connector, Contacts: 8, shielded, moulded on cable, IP67, PUR black, 8 x 0.14 mm²
Area	M9 IP67 series 702
Order number	79 1425 75 08

Security notices

The connector must not be plugged or unplugged under load. Non-observance and improper use can result in personal injury.

The connectors have been developed for applications in plant engineering, control and electrical equipment construction. The user is responsible for checking whether the connectors can also be used in other areas of application.

To lock the cable connector with the device connector, the threaded ring is tightened "hand-tight" (approx. 50 cNm).