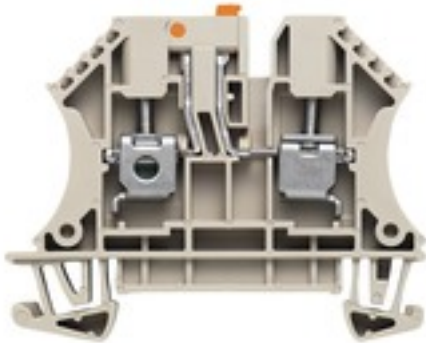


**W-Series
WTR 4 STB**

Weidmüller Interface GmbH & Co. KG
Klingenbergstraße 26
D-32758 Detmold
Germany
Fon: +49 5231 14-0
Fax: +49 5231 14-292083
www.weidmueller.com

Product image**Klippon® Connect with clamping yoke Technology**

The high reliability and variety of designs of the terminal blocks with clamping yoke connections make planning easier and optimises operational safety. Klippon® Connect provides a proven response to a range of different requirements.

General ordering data

| | |
|------------|---------------------------------------------------------------------------------------------------|
| Type | WTR 4 STB |
| Order No. | 7910210000 |
| Version | Test-disconnect terminal, Screw connection, 4 mm ² , 500 V, 32 A, Pivoting, dark beige |
| GTIN (EAN) | 4008 19057685 1 |
| Qty. | 50 pc(s). |

W-Series
WTR 4 STB

Weidmüller Interface GmbH & Co. KG
 Klingenbergstraße 26
 D-32758 Detmold
 Germany
 Fon: +49 5231 14-0
 Fax: +49 5231 14-292083
 www.weidmueller.com

Technical data
Dimensions and weights

| | | | |
|--------------------------|--------|-----------------|------------|
| Width | 6.1 mm | Width (inches) | 0.24 inch |
| Height | 60 mm | Height (inches) | 2.362 inch |
| Depth | 48 mm | Depth (inches) | 1.89 inch |
| Depth including DIN rail | 49 mm | Net weight | 12.054 g |

Temperatures

| | | | |
|----------------------------------|---------------|----------------------------------|--------|
| Storage temperature, max. | 40 °C | Storage temperature, min. | 10 °C |
| Storage temperature | 10 °C...40 °C | Continuous operating temp., min. | -50 °C |
| Continuous operating temp., max. | 120 °C | | |

Environmental Product Compliance

REACH SVHC Lead 7439-92-1

Material data

| | | | |
|---------------------------|-------|--------|------------|
| Material | Wemid | Colour | dark beige |
| UL 94 flammability rating | V-0 | | |

Rating data IECEx/ATEX

| | | | |
|--------------------------------|------------------|---------------------------------|-------------------|
| Certificate No. (ATEX) | DEMKO14ATEX1389U | Certificate No. (IECEX) | IECEXUL14.0097U |
| Max. voltage (ATEX) | 400 V | Current (ATEX) | 32 A |
| Wire cross section max. (ATEX) | 4 | Max. voltage (IECEX) | 400 V |
| Current (IECEX) | 32 A | Wire cross section max. (IECEX) | 4 mm ² |
| Marking EN 60079-7 | Ex ec II C Gc | Ex 2014/34/EU label | II 3 G D |

System specifications

| | | | |
|-------------------------------------|--------------------------------------------------------------------------------------------|-------------------------------|-----|
| Version | Screw connection, Spacer, for plug-in cross- connector, One end without connector | End cover plate required | Yes |
| Number of potentials | 1 | Number of levels | 1 |
| Number of clamping points per level | 2 | Number of potentials per tier | 1 |
| Levels cross-connected internally | No | PE connection | No |
| Rail | TS 35 | N-function | No |
| PE function | No | PEN function | No |

2 clampable conductors (H05V/H07V) with equal cross-section (rated connection)

| | | | |
|------------------------------------------------------------------------------------------------------------------|---------------------|------------------------------------------------------------------------------------------------------------------|---------------------|
| Wire connection cross section, finely stranded, two clampable wires, min. | 0.5 mm ² | Wire cross-section, finely stranded, two clampable wires, max. | 1.5 mm ² |
| Wire connection cross section, finely stranded with wire-end ferrules DIN 46228/1, 2 clampable wires, min. | 0.5 mm ² | Wire connection cross section, finely stranded with wire-end ferrules DIN 46228/1, 2 clampable wires, max. | 1.5 mm ² |

Additional technical data

| | | | |
|--------------------------|-------|-----------------------------|---------|
| Explosion-tested version | No | Number of similar terminals | 1 |
| Open sides | right | Type of mounting | Snap-on |

W-Series
WTR 4 STB

Weidmüller Interface GmbH & Co. KG
 Klingenbergstraße 26
 D-32758 Detmold
 Germany
 Fon: +49 5231 14-0
 Fax: +49 5231 14-292083
 www.weidmueller.com

Technical data**CSA rating data**

| | | | |
|-------------------------------|----------------|-------------------------------|--------|
| Certificate No. (CSA) | 200039-1057876 | Current size D (CSA) | 10 A |
| Voltage size D (CSA) | 300 V | Wire cross section max. (CSA) | 10 AWG |
| Wire cross section min. (CSA) | 22 AWG | | |

Conductors for clamping (rated connection)

| | | | |
|-----------------------------------------------------------------------------------------|----------------------|-----------------------------------------------------------------------------------------|---------------------|
| Blade size | 0.6 x 3.5 mm | Clamping range, max. | 6 mm ² |
| Clamping range, min. | 0.22 mm ² | Clamping screw | M 3 |
| Connection cross-section, stranded, max. | 6 mm ² | Connection cross-section, stranded, min. | 1.5 mm ² |
| Connection direction | on side | Gauge to IEC 60947-1 | A4 |
| Number of connections | 2 | Stripping length | 13 mm |
| Tightening torque, max. | 0.6 Nm | Tightening torque, min. | 0.5 Nm |
| Torque level with DMS electric screwdriver | 2 | Type of connection | Screw connection |
| Wire connection cross section AWG, max. | AWG 10 | Wire connection cross section AWG, min. | AWG 22 |
| Wire connection cross section, finely stranded, max. | 4 mm ² | Wire connection cross-section, finely stranded with wire-end ferrules DIN 46228/1, max. | 4 mm ² |
| Wire connection cross-section, finely stranded with wire-end ferrules DIN 46228/1, min. | 0.5 mm ² | Wire connection cross-section, finely stranded with wire-end ferrules DIN 46228/4, max. | 2.5 mm ² |
| Wire connection cross-section, finely stranded with wire-end ferrules DIN 46228/4, min. | 0.5 mm ² | Wire connection cross-section, finely stranded, min. | 0.5 mm ² |
| Wire connection cross-section, solid core, max. | 6 mm ² | Wire connection cross-section, solid core, min. | 0.5 mm ² |

Dimensions

| | |
|--------------|---------|
| TS 35 offset | 29.5 mm |
|--------------|---------|

Disconnect terminals

| | | | |
|------------------|----------|----------------------|-----|
| Cross-disconnect | without | Integral test socket | Yes |
| Slitting | Pivoting | | |

Rating data

| | | | |
|----------------------------------------------|-------------------|---------------------------------------------|--------|
| Rated cross-section | 4 mm ² | Rated voltage | 500 V |
| Rated current | 32 A | Current at maximum wires | 32 A |
| Volume resistance according to IEC 60947-7-x | 1 mΩ | Power loss in accordance with IEC 60947-7-x | 1.02 W |
| Rated impulse withstand voltage | 6 kV | Pollution severity | 3 |

UL rating data

| | | | |
|-----------------------------------------|--------|-----------------------------------------|--------|
| Certificate No. (UR) | E60693 | Conductor size Factory wiring max. (UR) | 10 AWG |
| Conductor size Factory wiring min. (UR) | 22 AWG | Conductor size Field wiring max. (UR) | 10 AWG |
| Conductor size Field wiring min. (UR) | 22 AWG | Current size D (UR) | 10 A |
| Voltage size D (UR) | 300 V | | |

Data sheet

**W-Series
WTR 4 STB**

Weidmüller Interface GmbH & Co. KG
 Klingenbergstraße 26
 D-32758 Detmold
 Germany
 Fon: +49 5231 14-0
 Fax: +49 5231 14-292083
 www.weidmueller.com

Technical data

Classifications

| | | | |
|-------------|-------------|------------|-------------|
| ETIM 6.0 | EC000902 | ETIM 7.0 | EC000902 |
| eClass 9.0 | 27-14-11-26 | eClass 9.1 | 27-14-11-26 |
| eClass 10.0 | 27-14-11-26 | UNSPSC | 30-21-18-11 |

Approvals

Approvals



ROHS Conform

Downloads

| | |
|---------------------------------------------|----------------------------------------------------------------------------------------------------------------------------------------------------------------------------------------------------------------------------------------------------|
| Approval/Certificate/Document of Conformity | Attestation of Conformity ATEX Certificate IECEX Certificate CB Test Certificate CB Certificate DE_PT1002_20160418_1038_ISSUE01.pdf |
| Brochure/Catalogue | CAT 1 TERM 16/17 EN |
| Engineering Data | EPLAN, WSCAD, Zuken E3.S |
| Engineering Data | STEP |
| User Documentation | Beipackzettel_WTR4.pdf NTI WTR 4 StorageConditionsTerminalBlocks |

Safety note

Safety notice [Safety Information](#)

Data sheet

**W-Series
WTR 4 STB**

Weidmüller Interface GmbH & Co. KG
Klingenbergstraße 26
D-32758 Detmold
Germany
Fon: +49 5231 14-0
Fax: +49 5231 14-292083
www.weidmueller.com

Drawings

