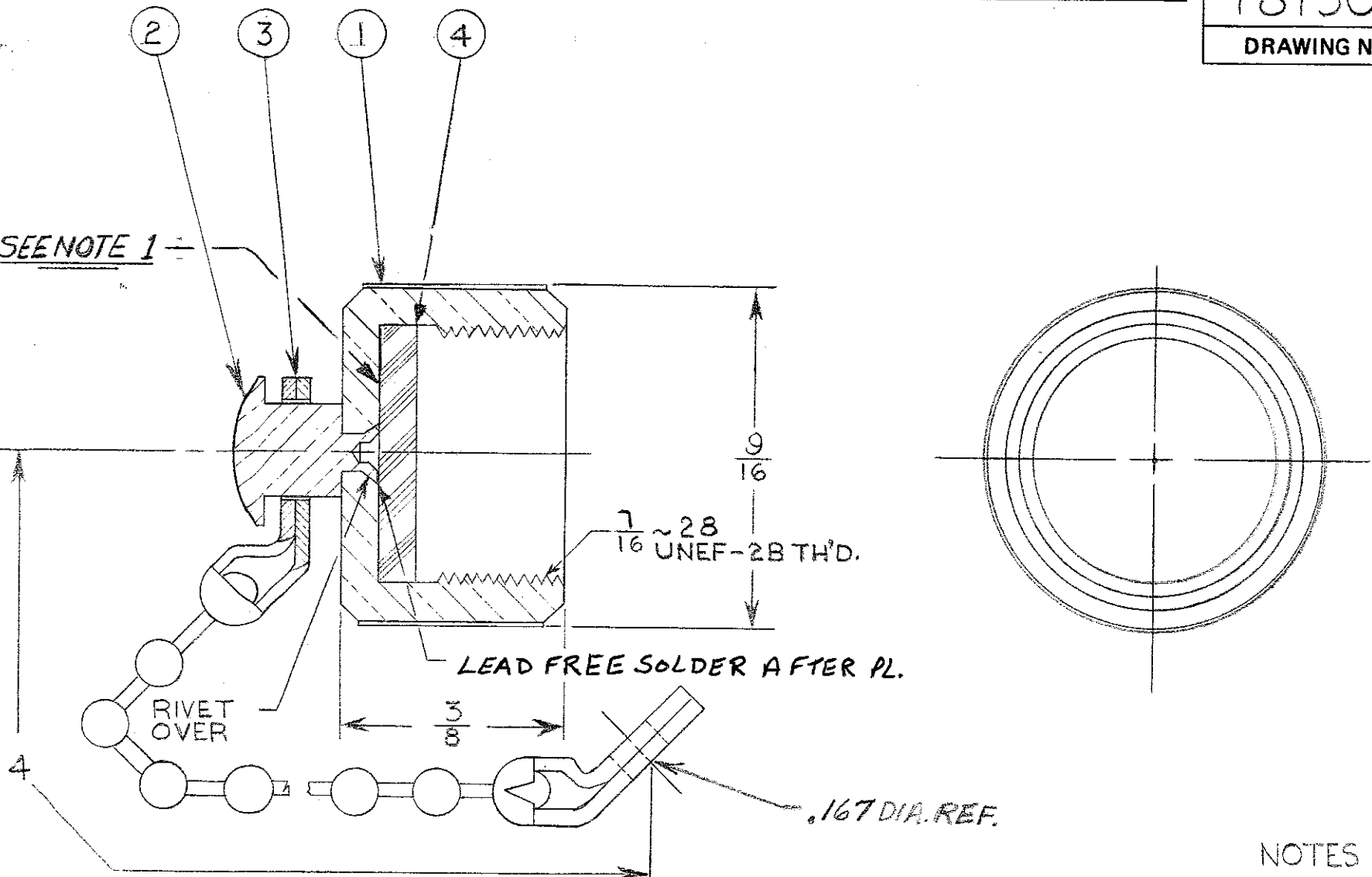


DO NOT SCALE THIS DRAWING

78750
DRAWING NUMBER

REVISIONS

SYM	DESCRIPTION	DATE	E.C.O. NO.	APPR.
	OFFICIAL ENG. RELEASE TO MFG.	3.25.63	8183	
J	REDRAWN-NO CHANGE	6.18.81	27978	I.A. W
K	NOTES 3 & 4 WERE ASTROPLATE NOTES	1/29/93	39321	DR
L	LEAD FREE WAS SOFT SOLDER	8/11/05	45660	CPM



NOTES CONT'D. :

6. U.L. RECOGNIZED ITEM. NO CHANGES ARE PERMITTED WHICH AFFECT CATALOG SPECIFICATIONS.

NOTES:

- BOND ITEM 1 TO ITEM 4 PER 400004 USING ADHESIVE RUBBER MIL-R-5092A(AER) TYPE 2.
- "133305-00-AMPHENOL" PRINTED ON IDENTIFICATION TAG TO BE PLACED IN EACH BAG FOR SANDIA ORDERS ONLY
- PLATING MUST CONFORM TO SPEC. 349-50560. ALL METAL PARTS ARE ASTROPLATED. (REF.)
- PACKAGE THIS CONNECTOR IN BAG 999-226. MARK PACKAGING BAG "R/ 5A 500V".

PART NO.	QUAN	UOM	ITEM LINE NO.	DESCRIPTION	CODE	FINISH
78754	1		4	GASKET		
78753-NC	1		3	CHAIN ASSEMBLY		SEE NOTE 3
31-927-NA	1		2	RIVET		SEE NOTE 3
78751-NA	1		1	CAP		SEE NOTE 3

LIST OF MATERIAL

REMOVE ALL BURRS, BREAK CORNERS AND SHARP EDGES .005 MAXIMUM UNLESS OTHERWISE SPECIFIED.

NOTICE—These drawings, specifications, or other data (1) are, and remain the property of Bunker-Ramo Corporation (2) must be returned upon request; and (3) are confidential and are not to be disclosed to any person other than those to whom they are given by Bunker-Ramo Corporation. The furnishing of these drawings, specifications, or other data by Bunker-Ramo Corporation, or by any other person, to anyone for any purpose is not to be regarded by implication or otherwise as in any manner licensing, granting rights or permitting such holder or any other person to manufacture, use or sell any product, process or design, patented or otherwise, that may in any way be related to or disclosed by said drawings, specifications or other data.

NEXT ASSY	USED ON	UNLESS OTHERWISE SPECIFIED DIMENSIONS ARE IN INCHES. TOLERANCES NOT OTHERWISE SPECIFIED ARE:
		2 PLACE DECIMAL ±.015 (0,381 mm)
		3 PLACE DECIMAL ±.005 (0,127 mm)
		ANGLES ± 1°
		REFERENCE DRAWING NO.
		SANDIA 133305
		FINISH

DRAWN BY	DATE
IMTIAZ AHMAD	6.18.81
CHECKED	DATE
W. COLWELL	8/11/81
ENGINEER	DATE
<i>[Signature]</i>	8-18-81
APPROVED	DATE
<i>[Signature]</i>	8-18-81
QUALITY ASSURANCE	DATE
<i>[Signature]</i>	8-18-81
MFG. ENG.	DATE
<i>[Signature]</i>	2-24-93

TITLE: TNC CAP & CHAIN

BUNKER RAMO AMPHENOL NORTH AMERICA
BUNKER RAMO CORPORATION
RF Operations
33 East Franklin Street
Danbury, CT 06810

SCALE 4:1 SHEET 1 OF 1

CODE IDENTIFICATION 74868 DRAWING SIZE B DRAWING NO. 78750 ISSUE L