

Description

Legacy General Purpose Relays

782 Power Series

DPDT 15 A



UL Listed when used with corresponding sockets



782 Clear Cover



782 Full-Feature Cover

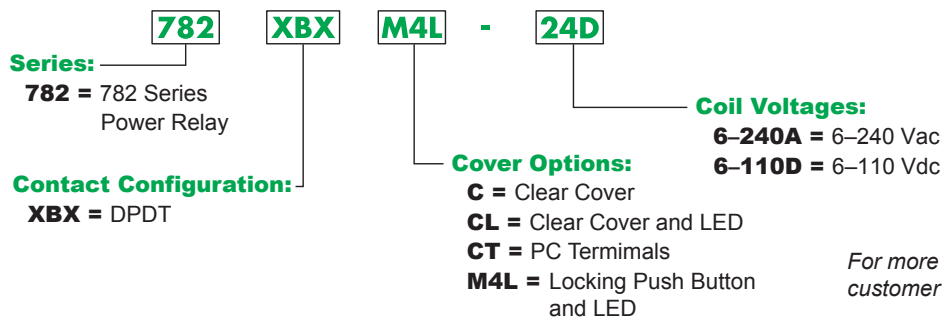
Description

The 782 plug-in power relays offer clear or full-feature covers with multiple mounting options and accessories.

Feature	Benefit
15 A switching current	Ideal choice for automation control panels
Clear or full-feature cover options	Full-feature covers include an LED indicator and a locking test button
Socket-mounting option	Simplified installation and maintenance; use of protection modules, hold-down clips, and other accessories
Gold-flashed contacts	Reduced contact oxidation and increased shelf life
Mechanical flag indicator (standard)	Display of the relay status during testing or operation

Contact Rating	Contact Configuration	Nominal Voltage	Coil Resistance (Ω)	Standard Part Number			
				Clear Cover	Clear Cover with LED	PC Mount	Full-Feature
15 A	DPDT	6 Vac, 50/60 Hz	11	—	—	782XBXC-6A	—
		12 Vac, 50/60 Hz	44	782XBXC-12A	782XBXCL-12A	782XBXC-12A	782XBXM4L-12A
		24 Vac, 50/60 Hz	177	782XBXC-24A	782XBXCL-24A	782XBXC-24A	782XBXM4L-24A
		48 Vac, 50/60 Hz	708	782XBXC-48A	782XBXCL-48A	782XBXC-48A	782XBXM4L-48A
		120 Vac, 50/60 Hz	4430	782XBXC-120A	782XBXCL-120A	782XBXC-120A	782XBXM4L-120A
		240 Vac, 50/60 Hz	17720	782XBXC-240A	782XBXCL-240A	782XBXC-240A	782XBXM4L-240A
		6 Vdc	40	—	—	782XBXC-6D	—
		12 Vdc	160	782XBXC-12D	782XBXCL-12D	782XBXC-12D	782XBXM4L-12D
		24 Vdc	640	782XBXC-24D	782XBXCL-24D	782XBXC-24D	782XBXM4L-24D
		48 Vdc	2560	782XBXC-48D	782XBXCL-48D	782XBXC-48D	782XBXM4L-48D
110 Vdc	13440	782XBXC-110D	782XBXCL-110D	782XBXC-110D	782XBXM4L-110D		

Part Number Explanation



For more information, contact customer service (1-847-441-2540).

Legacy General Purpose Relays

782 Power Series

DPDT 15 A

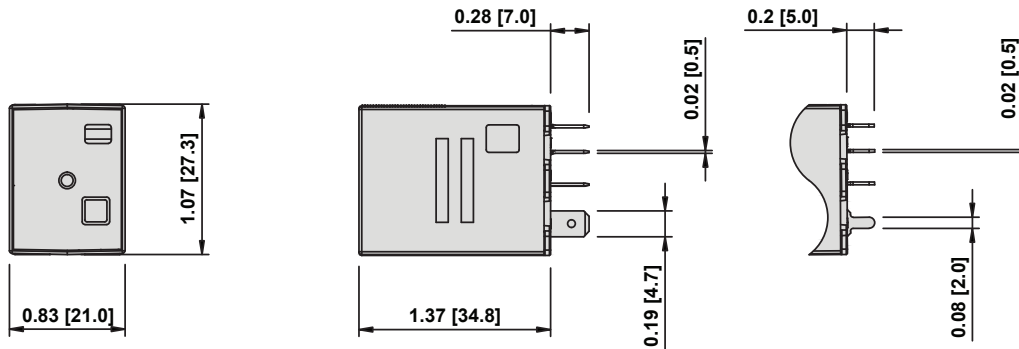
Specifications

Part Number		782XBXC / CL / M4L	782XBXCT
Contact Characteristics			
Terminal Style		Blade	PC Terminals
Contact Material		Silver Alloy	
Contact Configuration		DPDT	
Carrying Current		15 A	
Maximum Switching Voltage		IEC: 250 Vac / 28 Vdc UL/CSA: 300 Vac / 28 Vdc	
Rated Switching Current at Voltage (Conforming to IEC AC-1 and DC-1)	at 250 Vac	N.O.: 15 A; N.C.: 7.5 A	
	at 28 Vdc	N.O.: 15 A; N.C.: 7.5 A	
Rated Switching Current at Voltage (Conforming to UL)	Resistive	15 A at 277 Vac, 50/60 Hz, 100 k cycles 15 A at 28 Vdc, 100 k cycles	
	Motor	1/2 hp at 120 Vac, 1 k cycles 1 hp at 277 Vac, 1 k cycles	
	Pilot Duty	B300	
Rated Switching Current at Voltage (Conforming to CSA)	Resistive	15 A at 150 Vac, 50/60 Hz, 100 k cycles 10 A at 277 Vac, 50/60 Hz, 100 k cycles 15 A at 28 Vdc, 100 k cycles	
	Motor	1/2 hp at 120 Vac, 1 k cycles 1 hp at 277 Vac, 1 k cycles	
	Pilot Duty	B300	
Minimum Switching Requirement		10 mA at 17 Vdc	
Coil Characteristics			
Maximum Operating Voltage		110% (AC/DC)	
Maximum Pickup Voltage		85% (AC); 80% (DC)	
Drop-out Voltage Threshold		15% (AC); 10% (DC)	
Average Consumption		Standard: 1.1 VA (AC); 0.85 W (DC) With LED: 1.4 VA (AC); 1.15 W (DC)	Standard: 1.1 VA (AC); 0.85 W (DC)
General Characteristics			
Electrical Life at Rated Load		100,000 operations	
Mechanical Life (Unpowered)		10,000,000 operations	
Operating Time (Response Time)		20 ms	
Dielectric Strength	Between Coil and Contact (AC)	2000 V (rms)	
	Between Poles (AC)	2000 V (rms)	
	Between Contacts (AC)	1500 V (rms)	
Ambient Air Temperature Around the Device	Storage	-40 to +85 °C (-40 to +185 °F)	
	Operation	-40 to +55 °C (-40 to +131 °F)	
Vibration Resistance—In Operation		±1 mm (10–35 Hz) and 3 gn (35–150 Hz)	
Shock Resistance		15 gn	
Degree of Protection (Housing Only)		IP40	
Weight		36 g (1.27 oz)	
Agency Approvals		UL with socket, UR (E164862), CE, CSA (LR44087), RoHS	

Note: Actual product performance may vary depending on the application and environmental conditions.

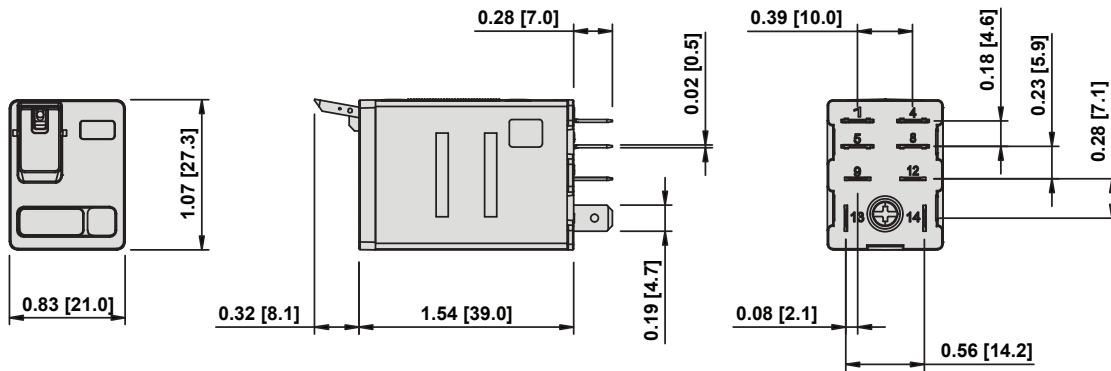
Dimensions, in. (mm)

Clear Cover Dimensions

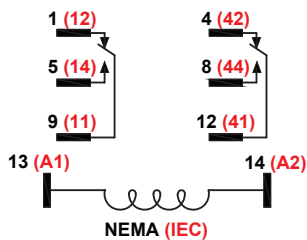


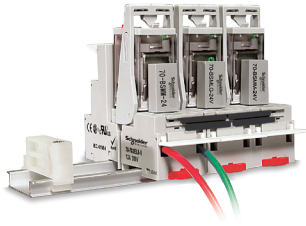
PC Terminals Dimensions

Full-Feature Cover Dimensions



Wiring Diagram

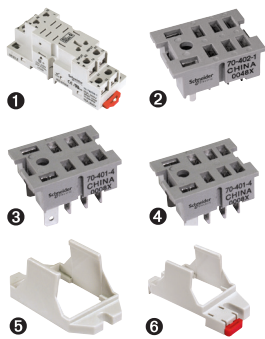




Description

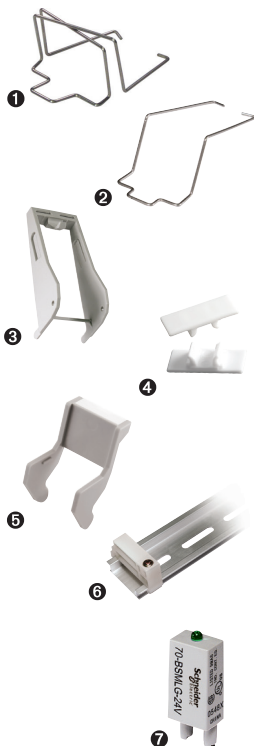
Optional sockets offer customizable solutions including protection modules, hold-down clips, and ID tags. Sockets are finger-safe according to IP20, and compatible with DIN rail or panel mounting.

Relay Accessories



Description	Function	For Use with Relays	Pkg. Min.	Standard Part Number
Socket 1	DIN or panel mounting with screw terminals and clamping plates	782XBX	10	70-782D8-1A
Socket 2	DIN or panel mounting with screw terminals and clamping plates		10	70-459-1
Socket 3	Quick Connect terminals for chassis mounting		10	70-401-1
Socket 4	Printed circuit terminals for PCB mounting		10	70-402-1
Adapter 5	Direct panel mounting		10	16-782C1
Adapter 6	Direct DIN rail mounting		10	16-782C

Socket Accessories



Description	Function	For Use with Sockets	Coil Voltage	Pkg. Min.	Standard Part Number
Metal Spring Clip 1 2	Securing the relay in the socket	70-782D8-1A, 70-459-1, 70-401-1, 70-402-1	—	10	16-1342
Plastic Hold-Down Clip 3	Securing the relay in the socket, or ejecting the relay from the socket	70-782D8-1A	—	10	16-782PC-1
Write-on Tag 4	Write-on tag for the 16-782PC-1 hold-down clip	—	—	10	16-700ST-1
Plastic ID Hold-Down Clip 5	Securing the relay in the socket and providing labeling	70-782D8-1A, 70-459-1, 70-401-1, 70-402-1	—	10	16-782IDC
Extruded Aluminum DIN Rail, 1 m (39.37 in.) 6	Quick installation and removal of sockets	70-782D8-1A, 70-459-1	—	10	16-700DIN
DIN Rail End Clip 6	Holding the sockets firmly in place on a DIN rail		—	10	16-DCLIP-1
Small Socket Modules					
Protection Diode	Protecting the external drive circuitry from inductive voltages	70-782D8-1A	6–250 Vdc	10	70-BSMD-250
LED Indicator 7	Providing coil status at a glance		24 Vac/Vdc	10	70-BSMLG-24
MOV Suppressor	Protection from damaging electrical spikes		120 Vac/Vdc	10	70-BSMM-120
			24 Vac/Vdc	10	70-BSMM-24
			240 Vac/Vdc	10	70-BSMM-240

Note: Using an LED socket module can increase the coil power draw by up to 10%.