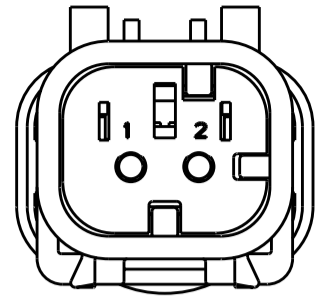
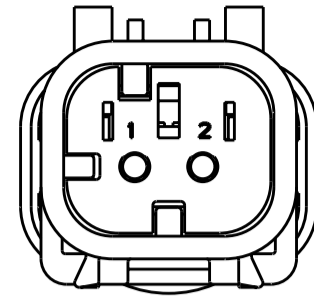


THIS DRAWING IS UNPUBLISHED. RELEASED FOR PUBLICATION  
 © COPYRIGHT 20 BY - ALL RIGHTS RESERVED.

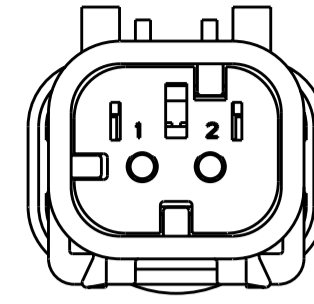
LOC	DIST	REVISIONS					
GE	00	P	LTR	DESCRIPTION	DATE	DWN	APVD
		D3		REVISED PER ECO-11-005030	11MAR2011	RK	HMR



776428-2  
SCALE 2:1  
KEY B



776428-3  
SCALE 2:1  
KEY C



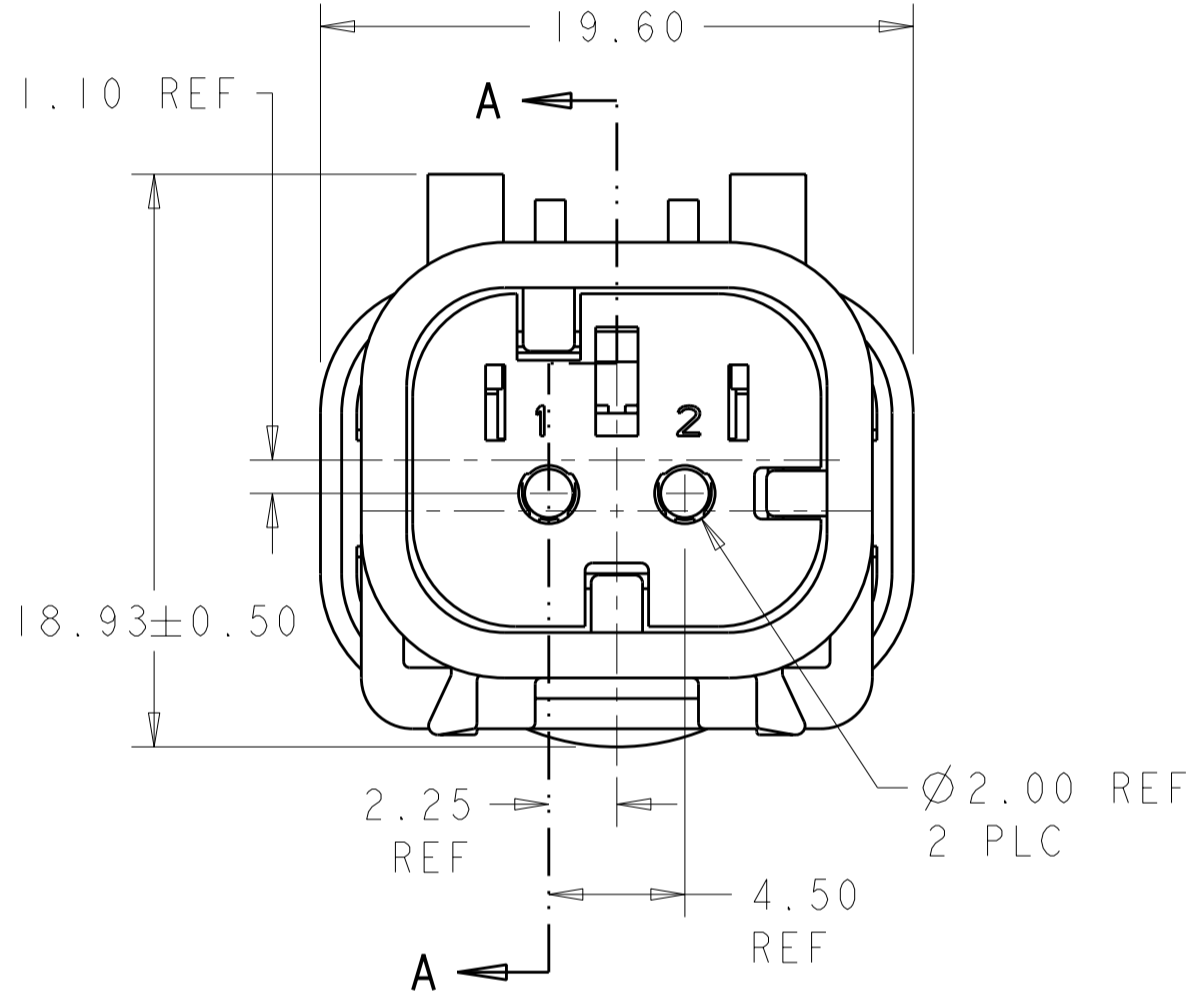
776428-4  
SCALE 2:1  
KEY D

1 MATERIAL: 15% GLASS FILLED THERMOPLASTIC  
COLOR: BLACK

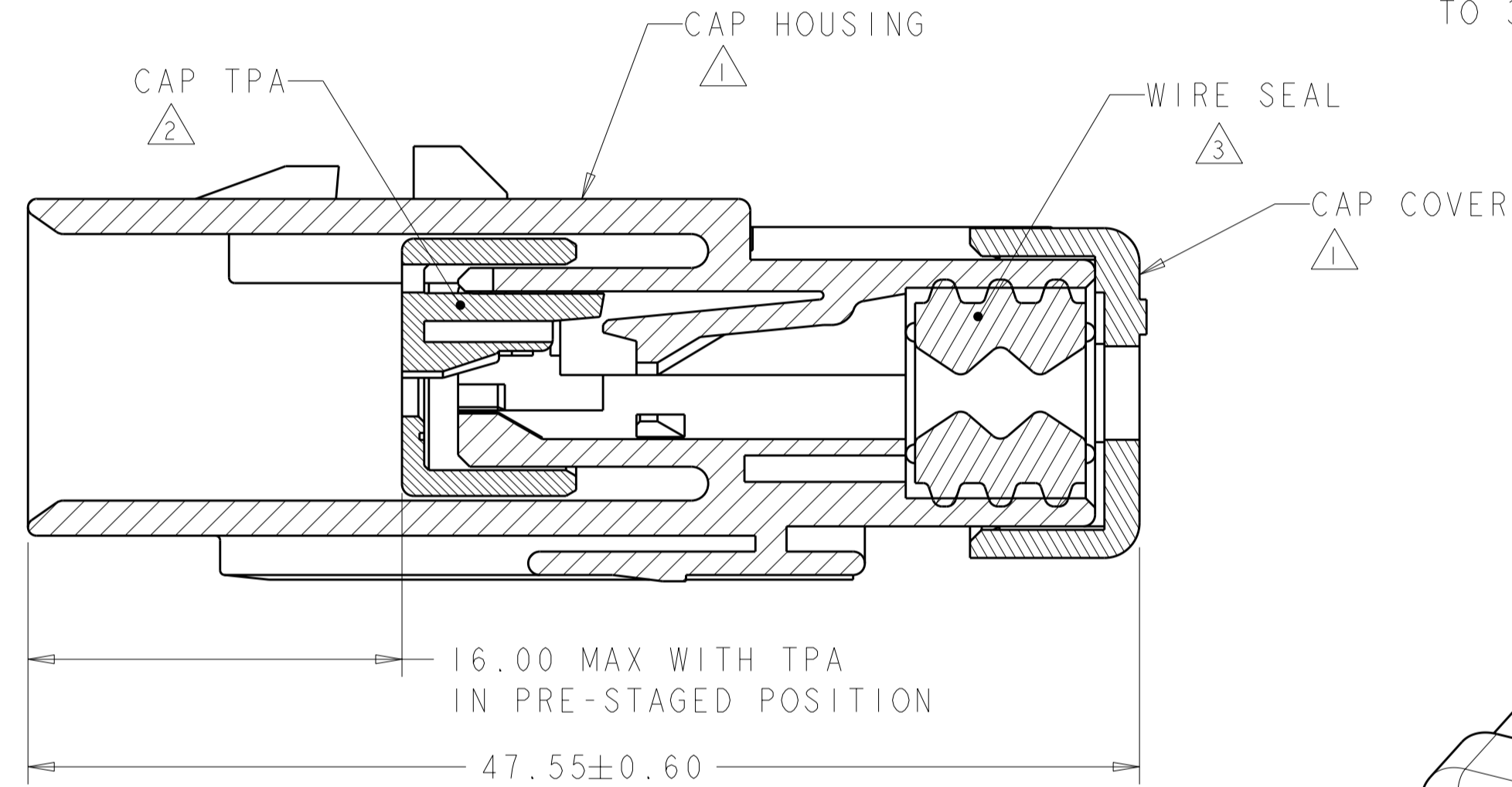
2 MATERIAL: 15% GLASS FILLED THERMOPLASTIC  
COLOR: (SEE TABLE)

3 MATERIAL: SILICONE  
COLOR: RED

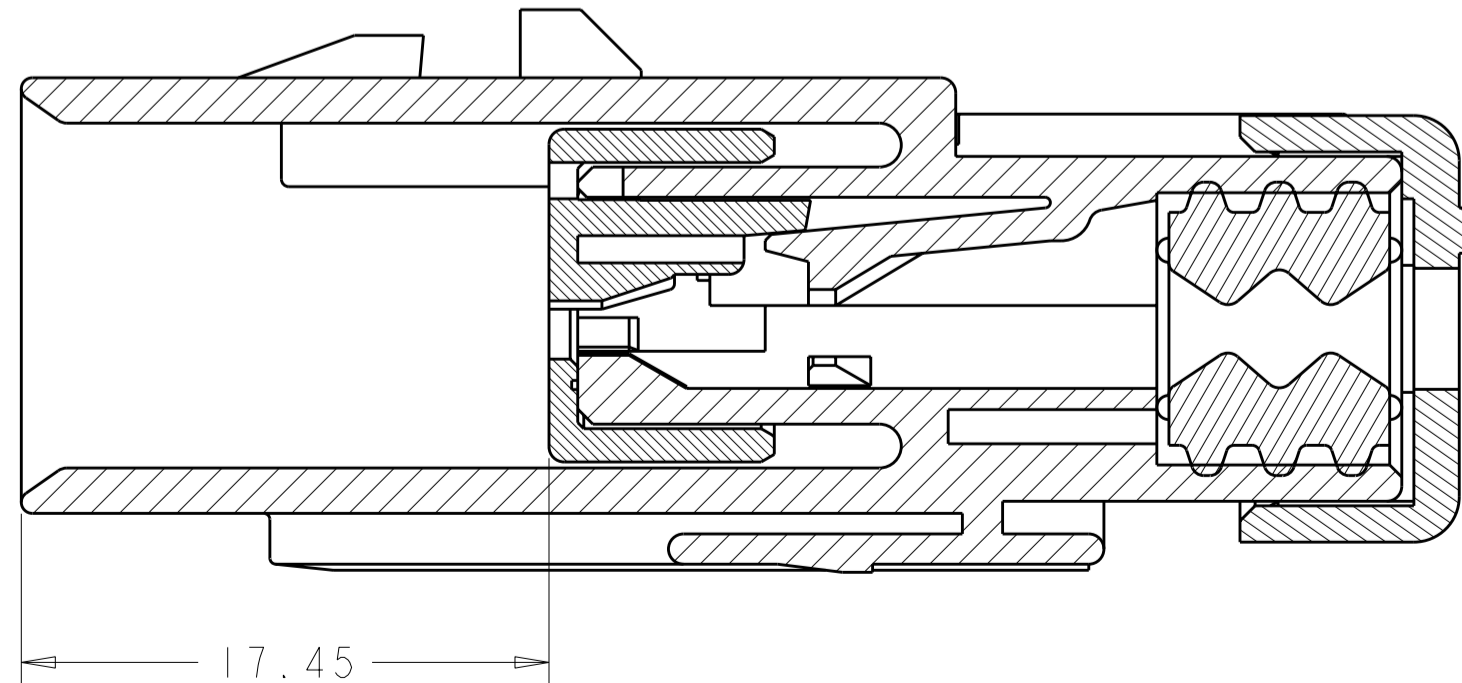
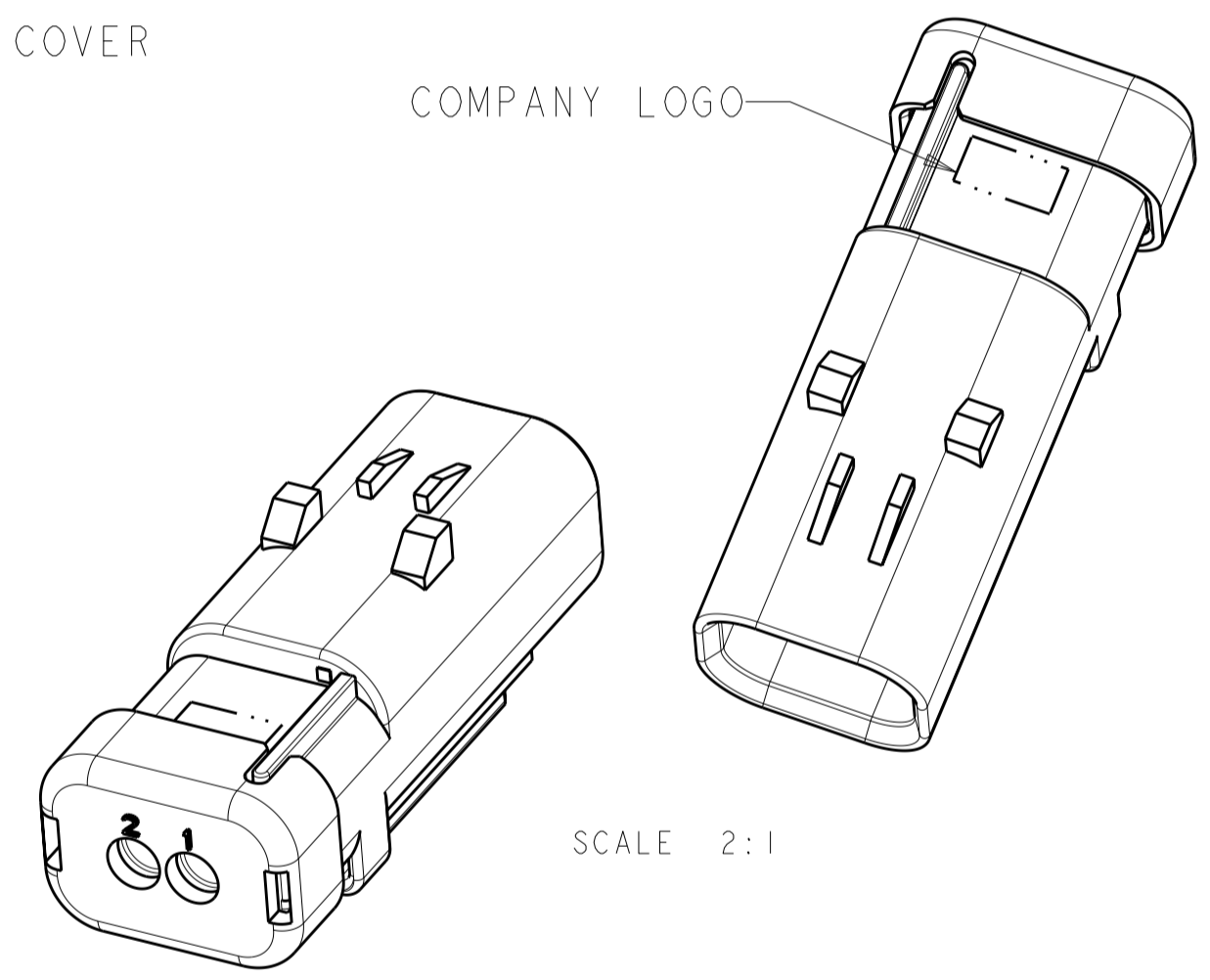
4. RECOMMENDED WIRE DIAMETER RANGE IS 2.18 TO 3.67mm.



776428-1 SHOWN  
KEY A



SECTION A-A



SECTION A-A  
WITH TPA IN CLOSED POSITION

GREEN	776428-4
YELLOW	776428-3
GRAY	776428-2
RED	776428-1
TPA COLOR	PART NUMBER

THIS DRAWING IS A CONTROLLED DOCUMENT.		DWN Y. PETERSON 22FEB00	TE Connectivity	
DIMENSIONS: mm		CHK R. GREINER 11DEC01		
TOLERANCES UNLESS OTHERWISE SPECIFIED:		APVD M. TRULLI 11DEC01	NAME CAP ASSEMBLY, 2 POSITION, SINGLE ROW, AMPSEAL 16	
0 PLC ±		PRODUCT SPEC 108-2184	SIZE	CAGE CODE
1 PLC ±		APPLICATION SPEC 114-13065	A200779	DRAWING NO 776428
2 PLC ±		WEIGHT 9±1g	RESTRICTED TO	
3 PLC ±		CUSTOMER DRAWING	SCALE 4:1	SHEET 1 OF 1
4 PLC ±			REV D3	
ANGLES ±				
FINISH				