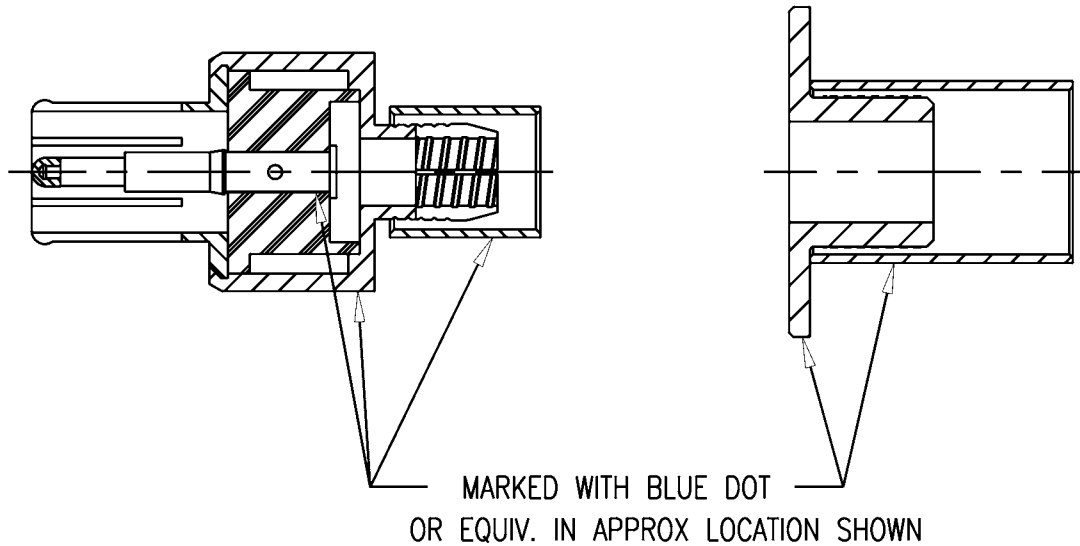


SD



NOTES:

- FOR USE WITH 730 CABLE GROUP (BELDEN 9267, BIW 100690C-G20, MOHAWK M80248 & GEPCO/COMMSCOPE 7811, 7812 & 7814 CABLE).
- FOR CABLING INSTRUCTIONS SEE 3-651.
- USE CRIMPING TOOL KTH-1000 AND DIE KTH-2251 FOR CRIMPING OF SLEEVES AND CONTACT. TWO SEPARATE DIES KTH-2252 AND KTH-2002 MAY ALSO BE USED.
- MATERIALS:
INSULATOR: TEFLON, ASTM-D-4894
K-GRIP SLEEVES: COM BRONZE, ASTM-B-135
CENTER CONTACT TIP: DELRIN
ALL OTHER METAL PARTS: BRASS, ASTM-B16
- FINISHES:
CENTER CONTACT: HARD GOLD PLATE, PER MIL-G-45204
ALL OTHER METAL PARTS: KINGS TARNISH RESISTANT NICKEL FINISH (TR-5)
- ELECTRICAL CHARACTERISTICS:
NOMINAL IMPEDANCE: 75 OHMS
FREQUENCY RANGE: DC-1 GHz

SD

7708-16

REVISIONS

ISSUE

CHANGES

0

ER 37487
KH 10/29/97

1

CN 37740 E
HVN 12/22/99

2

CN 37770 E
HVN 02/03/99

7708-16S

SCALE 2:1

APPROX SURFACE AREA

USED ON 7705-11

REF:

RETRO-FIT ASSY

DRAWN KH DATE 10/29/97

DESIGN LI DATE 10/30/97

APPR. FDH DATE 11/25/97

ELECTRONICS CO., INC.
TUCKAHOE, NEW YORK 10707

7708-16