

socket; Snap-in version; 3-pole; 100% protected against mismating

Item No.: 770-703



socket; Snap-in version; 3-pole; 100% protected against mismating

Marking

RoHS ✓
Compliant

Business data

Supplier	WAGO
Item no.	770-703
EAN	4044918252560
Content	1
Order amount	100
Customer item number	

Notes

Note on Contact Resistance: approx. 1m contact resistance approx. 0.25m contact transition plug/socket
Note on Continuous Service Temperature: -35°C to +85°C
PVC cable for temperatures 70°C (including halogen-free)
Insulating parts for temperatures 105°C
Note on Protection Against Mismatching: All WINSTA® components are 100% protected against mismating in terms of:
a.) plugging different number of poles
b.) plugging when turned by 180°
c.) plugging when laterally staggered
d.) plugging one pole
Note on Protection Type: IP20, with strain relief housing (These compact connectors are not designed for use in open, easily accessible areas)
Number of mating cycles: 200, without resistive load
100, with resistive load IN = 25A, tested (4 mm²/AWG 12)
Mating cycles: 100, with resistive load IN = 25A, tested (4 mm²/AWG 12)
Unmating force of a plug-in connection: when unlocked: approx. 20–70N (depending on number of poles)

Technical data

Miscellaneous

No. of Poles	3
Total number of connection points	6
Total number of potentials	3

Technical data	
Color	black
Coding	A
Pollution degree (1)	3
Rated voltage EN (1) [V]	250 [V]
Rated surge voltage (1) [kV]	4 [kV]
Nominal current [A]	25 [A]
Connection technology (1)	CAGE CLAMP® S
Cross section from (1) [mm²]	0.5 [mm²]
Cross section up to (1) [mm²]	4 [mm²]
Cross section from (1) [AWG]	20 [AWG]
Cross section up to (1) [AWG]	12 [AWG]
Stripped length from (1) [mm]	9 [mm]
Stripped length up to (1) [mm]	9 [mm]
Stripped length (1) [in]	0.35 [in]
Mating force of a plug-in connection	approx. 20–70N (depending on number of poles)
Retention force of a plug-in connection	when locked: > 80N
Insulating material	Polyamide 6.6 V0, halogen-free (except cable)
Clamping spring material	Stainless steel
Contact material	Copper or copper alloy, surface-treated
Processing temperature	-5°C ... +40°C
Fire load [MJ]	0.236 [MJ]
Weight [g]	11.93 [g]
Width [mm]	35.5 [mm]
Width [in]	1.398 [in]
Height [mm]	17.5 [mm]
Height [in]	0.689 [in]
Length [mm]	36 [mm]
Length [in]	1.417 [in]

Approbation					
Item No.	Registration	Registration no.	Voltage [V]	Current [A]	Cross section [mm², AWG]
770-703	ABS	06-HG154986/11-PDA	250	25	0,5-4,0
770-703	DNV	E-9217	250	25	4

Approbation

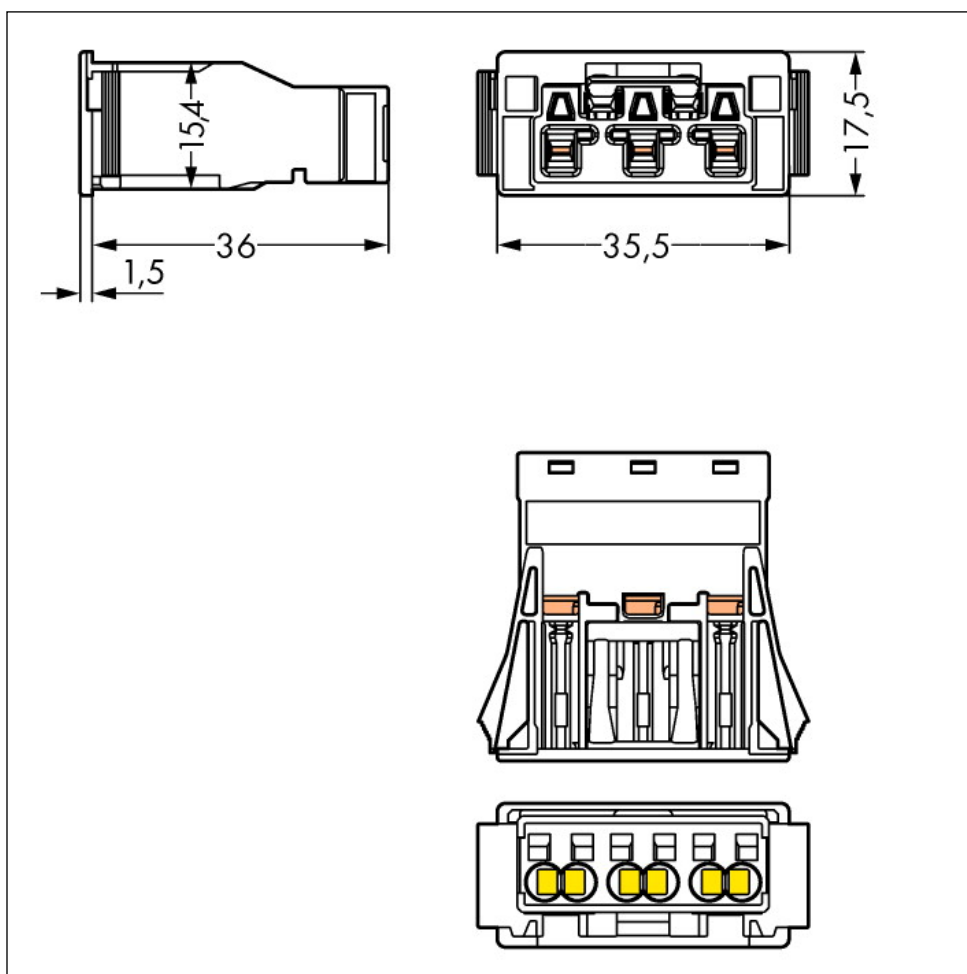
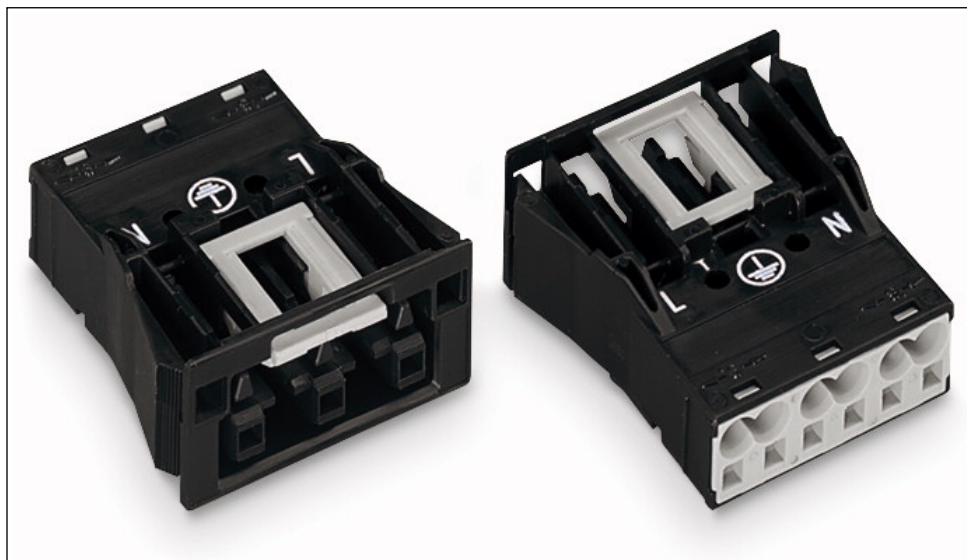
770-703	GL	42875-02HH	250	25	4
770-703	LR	02/20050(E3)	250	20	2,5
770-703	PRS	TE/1719/880590/0 8	250	25	0,5-4,0
770-703	PSE	JET0695-43009- 1001	600	20	12"
770-703	UL	E45171	600	20	12"

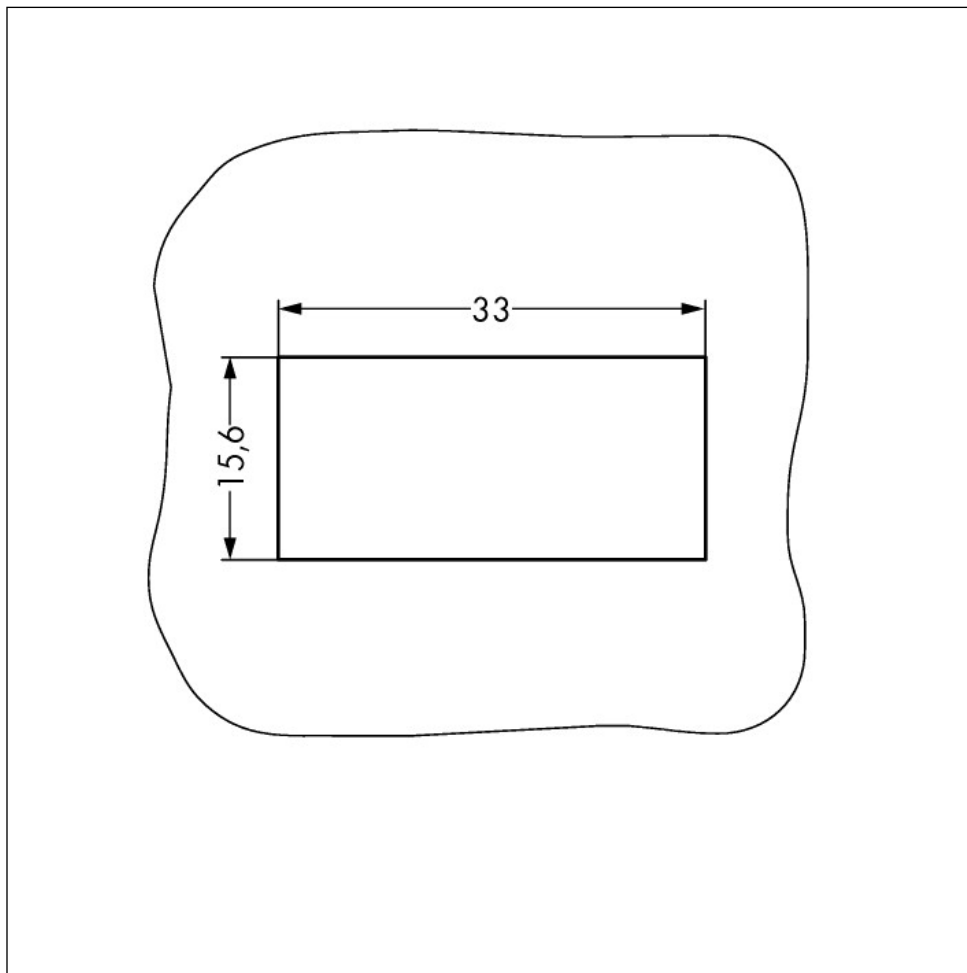
Accessories

General accessory

Item no.	Description	Pack. unit (Sub Pack)
210-720	Operating tool with partially insulated shaft; Type 2, blade (3.5 x 0.5) mm; suitable for 260, 261, 262, 264, 270, 280, 281, 290, 775, 776, 777, 769, 780, 781, 869, 870, 880, 2002, 2003, 2004, 2005 and 2022 Series	1
770-201	Lockout cap; for socket; 12-pole; separable	100
770-221	Lockout cap; for socket; 12-pole; separable	100
770-523	Shield connecting plate; for 3-pole plugs and sockets	50
770-643	Lockout cap; for cutout	100
770-693	Lockout cap; for cutout	100

Images & drawings





Address

WAGO Kontakttechnik GmbH & Co. KG

Hansastr. 27

32423 Minden

Telefon: 0571/887-0

Fax: 0571/887-169

<http://www.wago.com>

© WAGO Kontakttechnik GmbH & Co. KG

Technische Änderungen und Irrtümer vorbehalten.