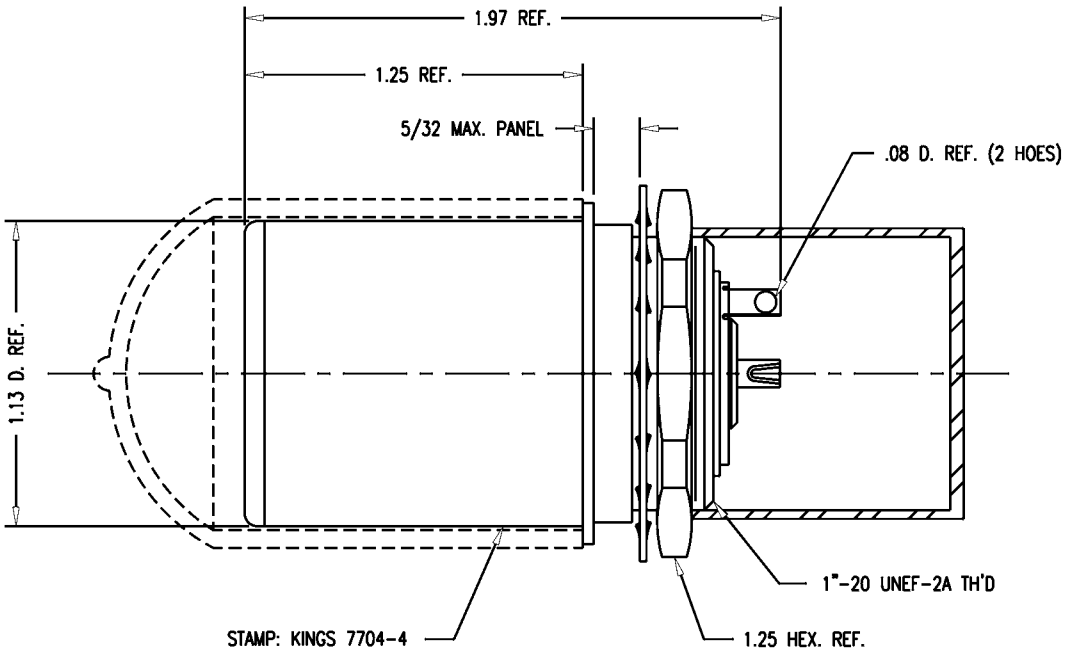
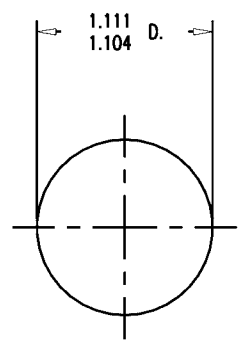


SD



NOTES:

1. MATERIALS:
 - INSULATORS: TEFLON, ASTM-D-4894
 - CAP: VINYL
 - CENTER CONTACT } BER. COP., ASTM-B-196
 - OUTER CONTACT SPRING }
 - INSERT }
 - LOCKWASHER: PHOSPHOR BRONZE, ASTM-B-103
 - ALL OTHER METAL PARTS: BRASS, ASTM-B16
2. FINISHES:
 - OUTER CONTACT SPRING } GOLD PLATE PER MIL-G-45204
 - CENTER CONTACT }
 - ALL OTHER METAL PARTS: KINGS TARNISH RESISTANT NICKEL FINISH (TR-5)
3. ELECTRICAL CHARACTERISTICS:
 - NOMINAL IMPEDANCE: 75 OHMS
 - FREQUENCY RANGE: DC-500 MHz
 - VOLTAGE BREAKDOWN: CENTER CONDUCTOR/INNER GROUND: 1500 VOLTS RMS
 - INNER GROUND/OUTER GROUND: 500 VOLTS RMS



MOUNTING HOLE

SD

7704-4

REVISIONS	
ISSUE	CHANGES
0	ER 35437 KH 04/19/95
1	CN 36754 E ME 12/22/95
2	CN 37274 D PG 03/13/97
3	CN 37424 C MRM 08/26/97
4	CN 37568 C MK 01/06/99

77044C	
SCALE 2:1	
APPROX SURFACE AREA	
USED ON	
REF: KP-8060-002-000	
RECEPTACLE, BKHD, TRI-LOC SERIAL DIGITAL	
DRAWN ME	DATE 10/31/95
DESIGN FD	DATE 10/31/95
APPR.	DATE
KINGS ELECTRONICS CO., INC. TUCKAHOE, NEW YORK 10707	
7704-4	