

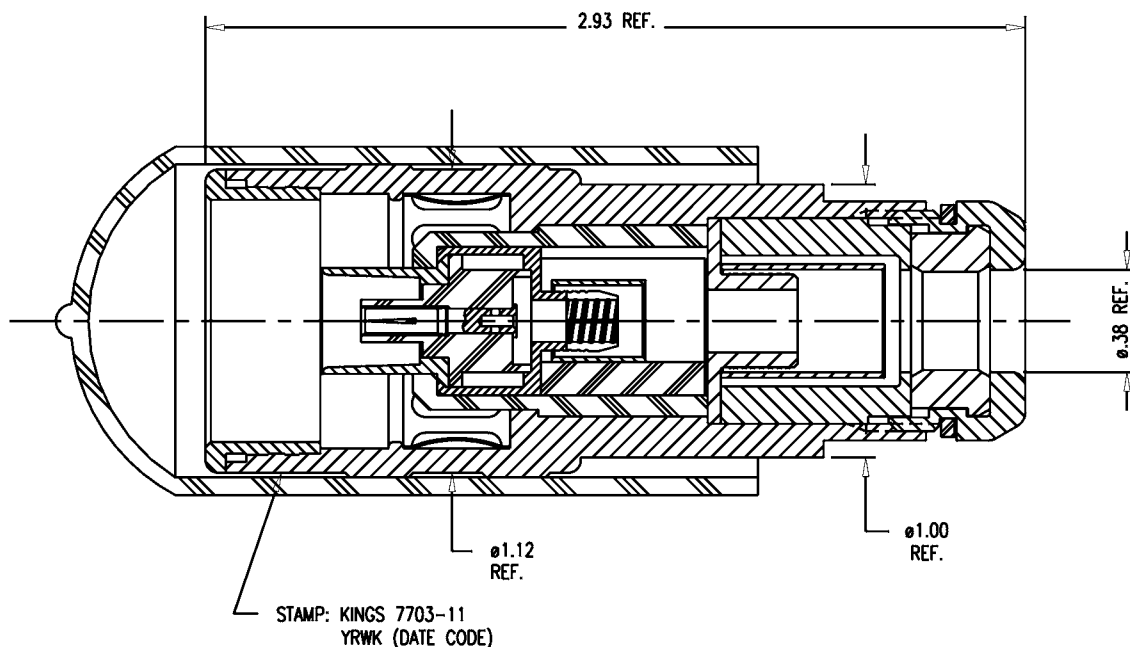
DASH NO.	M CODE	MADE FROM
----------	--------	-----------

SD

7703-11

REVISIONS	
ISSUE	CHANGES
0	ER 37486 KH 11/07/97
1	CN 38434 E TML 10/24/01

7703-11S



- NOTES:
- FOR USE WITH 730 CABLE GROUP (BELDEN 9267, BIW 100690C-G20, MOHAWK M80248 & GEPCO/COMMSCOPE 7811, 7812 & 7814).
 - FOR CABLING INSTRUCTIONS SEE 3-651 (CONVENTIONAL METHOD) OR 3-711 (PRE-PREPARED DIMENSIONS).
 - USE CRIMPING TOOL KTH-8000 AND DIE KTH-8001.
 - MATERIALS:
 - INSULATORS: TEFLON, ASTM-D-4894
 - GASKETS: SILICONE RUBBER, ZZ-R-765
 - SPACER: DELRIN
 - K-GRIP SLEEVES: COM BRONZE, ASTM-B-135
 - OUTER CONTACT & ENTRY BODY: BER. COPPER, ASTM-B-196
 - CENTER CONTACT: BER. COPPER, ASTM-B196
 - CAP: VINYL
 - ALL OTHER METAL PARTS: BRASS, ASTM-B16
 - FINISHES:
 - CENTER CONTACT: HARD GOLD PLATE, PER MIL-G-45204
 - ALL OTHER METAL PARTS: KINGS TARNISH RESISTANT NICKEL FINISH (TR-5)
 - ELECTRICAL CHARACTERISTICS:
 - NOMINAL IMPEDANCE: 75 OHMS
 - FREQUENCY RANGE: DC-1 GHz
 - VOLTAGE BREAKDOWN: CENTER CONDUCTOR/INNER GROUND: 1500 VRMS
 - INNER GROUND/OUTER GROUND: 500 VRMS

SCALE 2:1	
APPROX SURFACE AREA	
WAS: E-19519	
USED ON	
REF: 7703-2	
JACK, TRI-LOC, FULL CRIMP, SERIAL DIGITAL	
DRAWN KH	DATE 11/07/97
DESIGN LI	DATE 11/10/97
APPR. FDH	DATE 11/25/97

KINGS
ELECTRONICS CO., INC.
ROCK HILL, SOUTH CAROLINA 29730

7703-11

SD