

PLEASE CHECK WWW.MOLEX.COM FOR LATEST PART INFORMATION

Part Number: **0764101117**
Status: **Active**
Overview: Impact Backplane Connector and Cable Assembly System
Description: Impact 100 Ohm 3 Pair Right-Angle Male Header, Unguided, Left Endwall, 10 Columns, 90 Circuits, Pin Length 4.90mm, Plated Through Hole Dimension 0.39mm, Lead-Free

Documents:

3D Model	Application Specification AS-76060-990-001 (PDF)
Drawing (PDF)	Application Specification AS-76060-9999-001 (PDF)
3D Model (PDF)	Packaging Specification PK-70873-762-001 (PDF)
Product Specification PS-76060-999-001 (PDF)	RoHS Certificate of Compliance (PDF)

Agency Certification

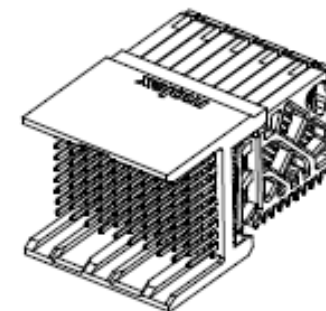
UL E29179

General

Product Family	Backplane Connectors
Series	<u>76410</u>
Application	Coplanar
Application Tooling Documents	TM-622018799
Component Type	PCB Header
Overview	<u>Impact Backplane Connector and Cable Assembly System</u>
Product Name	Impact
UPC	884982869585

Physical

Circuits (Loaded)	90
Circuits (maximum)	90
Color - Resin	Black
Durability (mating cycles max)	200
First Mate / Last Break	No
Flammability	94V-0
Guide to Mating Part	No
Keying to Mating Part	Yes
Material - Metal	High Performance Alloy (HPA)
Material - Plating Mating	Gold
Material - Plating Termination	Tin
Material - Resin	High Temperature Thermoplastic
Net Weight	7.810/g
Number of Columns	10
Number of Pairs	3
Number of Rows	9
Orientation	Right Angle
PC Tail Length	1.20mm
PCB Locator	No
PCB Retention	None
PCB Thickness - Recommended	1.00mm
Packaging Type	Tray
Pitch - Mating Interface	1.90mm
Pitch - Termination Interface	1.90mm
Plating min - Mating	0.762µm
Polarized to PCB	No
Stackable	No
Temperature Range - Operating	-55° to +85°C
Termination Interface: Style	Through Hole - Compliant Pin



Series image - Reference only

EU ELV

Not Relevant

EU RoHS

Compliant

REACH SVHC

Not Contained Per - ED/71/2019 (16 July 2019)

Halogen-Free

Status

Low-Halogen

For more information, please visit [Contact US](#)

China ROHS

ELV

RoHS Phthalates

China RoHS

Green Image

Not Relevant

Not Contained

Search Parts in this Series

76410 Series

Mates With

76170 Impact 100 Ohm 3 Pair Right Angle Daughtercard

Application Tooling | FAQ

Tooling specifications and manuals are found by selecting the products below. Crimp Height Specifications are then contained in the Application Tooling Specification document.

Global

Description	Product #
Daughter Card	<u>622018646</u>
Module Installation Press-In Tool for 3-Pair by 10-Column Assemblies	
Impact Right-Angle Module Removal Tool (RAM)	<u>622024350</u>

Electrical

Current - Maximum per Contact	0.75A
Data Rate	25.0 Gbps
Impedance	100Ω
Shield Type	N/A
Shielded	No
Voltage - Maximum	30V AC (RMS)/DC

Solder Process Data

Lead-free Process Capability	N/A
------------------------------	-----

Material Info**Reference - Drawing Numbers**

Application Specification	AS-76060-990-001, AS-76060-9999-001
Electrical Model Document	EE-76410-002
Packaging Specification	PK-70873-762-001
Product Specification	PS-76060-999-001
S-Parameter Model	SP-76410-002
Sales Drawing	SD-76410-001
Symbol/Footprint Data	SYM-76410-1117

This document was generated on 12/05/2019

PLEASE CHECK WWW.MOLEX.COM FOR LATEST PART INFORMATION