

PLEASE CHECK WWW.MOLEX.COM FOR LATEST PART INFORMATION

Part Number: **0761531001**
Status: **Active**
Overview: Impact™ Backplane Connector and Cable Assembly System
Description: 11.00mm Stand Alone, Pirate Cannon Wide Guide Module, Zinc Die Cast

Documents:

[3D Model](#) [Packaging Specification PK-70873-590 \(PDF\)](#)
[Drawing \(PDF\)](#) [RoHS Certificate of Compliance \(PDF\)](#)

General

Product Family	Backplane Connectors
Series	76153
Application	Daughtercard
Application Tooling Documents	TM-622018799
Comments	For additional Impact™ product information and design assistance, please email impact@molex.com
Component Type	Guide
Overview	Impact™ Backplane Connector and Cable Assembly System
Product Name	GbX®, GbX I-Trac™, HDM®, Impact™, VHDM®, VHDM-HSD™, Z-PACK TinMan*
UPC	883906031695

Physical

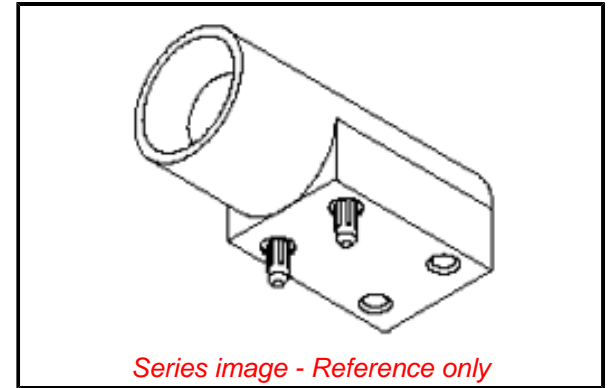
Circuits (Loaded)	0
Circuits (maximum)	0
Durability (mating cycles max)	200
First Mate / Last Break	No
Guide to Mating Part	Yes
Keying to Mating Part	None
Material - Metal	Zinc Alloy
Material - Plating Mating	Gold
Net Weight	10.711/g
Number of Columns	N/A
Number of Pairs	N/A
Number of Rows	0
Orientation	Right Angle
PC Tail Length	N/A
PCB Locator	Yes
PCB Retention	Yes
PCB Thickness - Recommended	1.00mm
Packaging Type	Bag
Pitch - Mating Interface	N/A
Pitch - Termination Interface	N/A
Polarized to PCB	Yes
Stackable	No
Surface Mount Compatible (SMC)	No
Temperature Range - Operating	N/A

Electrical

Current - Maximum per Contact	N/A
Data Rate	N/A
Shielded	No
Voltage - Maximum	N/A

Solder Process Data

Duration at Max. Process Temperature (seconds)	040
--	-----



EU ELV

Not Relevant

EU RoHS

Compliant

China RoHS

REACH SVHC

Not Contained Per - ED/30/2017 (7 July 2017)

Halogen-Free

Status

Low-Halogen

Need more information on product environmental compliance?

Email productcompliance@molex.com
Please visit the [Contact Us](#) section for any non-product compliance questions.

China ROHS	Green Image
ELV	Not Relevant
RoHS Phthalates	Not Contained

Search Parts in this Series

[76153 Series](#)

Mates With

[75234-1478 Standalone Wide Guide Pin](#)

Lead-free Process Capability	SMC&WAVE
Max. Cycles at Max. Process Temperature	003
Process Temperature max. C	260

Material Info

Reference - Drawing Numbers

Packaging Specification	PK-70873-590
Sales Drawing	SD-76153-001
Symbol/Footprint Data	SYM-76153-1001

*Z-PACK TinMan is a registered trademark of Tyco Electronics.

This document was generated on 08/03/2017

PLEASE CHECK WWW.MOLEX.COM FOR LATEST PART INFORMATION