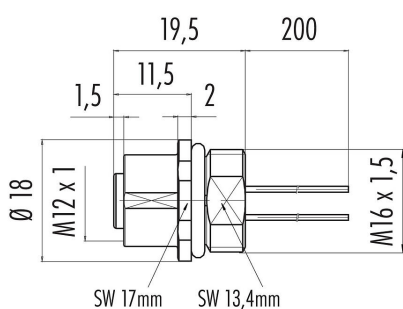


Product description	M12-A female panel mount connector, Contacts: 5, unshielded, single wires, IP68, M16x1.5
Area	M12-A series 763
Order number	76 0232 0011 00005-0200

### Illustration

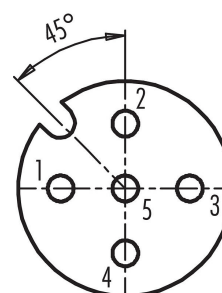


### Scale drawing



Version with zinc diecasted housing

### Contact arrangement (Plug-in side)



- 1 brown
- 2 white
- 3 blue
- 4 black
- 5 grey

You can find the assembly instructions on the next page.

## Technical data

### General features

Order number	76 0232 0011 00005-0200 Alternative order number: 09 3442 700 05
Notice	Please note that, due to the change from the old to the new order number, there may be deviations in the technical specifications. For questions about product details, please use the 'Contact Customer Service' form on the right.
Connector design	female panel mount connector
Wire length	0,2 m
Version	connector female straight
Connector locking system	screw
Termination	single wires
Degree of protection	IP68
Cross-sectional area	0.25 mm <sup>2</sup> / AWG 24
Temperature range from/to	-40 °C / 85 °C
Mechanical operation	> 100 Mating cycles
Weight (g)	14
Customs tariff number	85369010

### Electrical parameters

Rated voltage	60 V
Rated impulse voltage	1500 V
Rated current (40 °C)	4 A
Insulation resistance	> 10 <sup>8</sup> Ω

Product description	M12-A female panel mount connector, Contacts: 5, unshielded, single wires, IP68, M16x1.5
Area	M12-A series 763
Order number	76 0232 0011 00005-0200

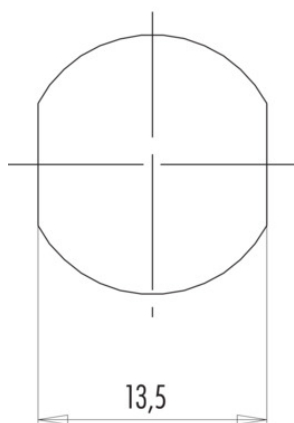
Pollution degree	3
Overvoltage category	II
Insulating material group	III
EMC compliance	unshielded

### Material

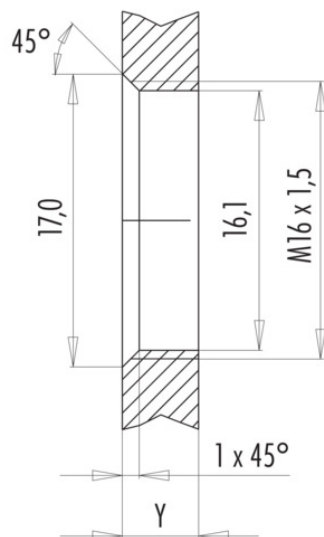
Housing material	Zinc die-cast nickel-plated
Contact body material	PA black
Contact material	CuSn (bronze)
Contact plating	Au (gold)
REACH SVHC	CAS 7439-92-1 (Lead)

### Assembly instructions / Panel cut-out

With flats as anti-rotation device



With bore hole



Installation direction: o-ring sits on chamfer.

### Tightening moment

Metall housing/Plastic housing 1,25 Nm

Thickness of wall Y (mm)		
Version	min (mm)	max (mm)
Fastened from rear	2	3,5
Front fastened	2	4,5
positioning possible <sup>1)</sup>	2	3,5
Screw clamp	2	3,5
Thread M12 x 1	2	3,0
Thread M14 x 1 <sup>2)</sup>	<sup>3)</sup> 1,5/ <sup>4)</sup> 2	6,5

### Notes

- <sup>1)</sup> Do not attach a chamfer
- <sup>2)</sup> Wall thickness:  
use locknut 01-5385 up to 1,5 mm,  
>1,5 mm cut thread
- <sup>3)</sup> Nut
- <sup>4)</sup> Thread in wall of housing

Product description	<b>M12-A female panel mount connector, Contacts: 5, unshielded, single wires, IP68, M16x1.5</b>
Area	<b>M12-A series 763</b>
Order number	<b>76 0232 0011 00005-0200</b>

### Security notices

The connector must not be plugged or unplugged under load. Non-observance and improper use can result in personal injury.

The connectors have been developed for applications in plant engineering, control and electrical equipment construction. The user is responsible for checking whether the connectors can also be used in other areas of application.

Plug connectors with enclosure protection IP 67 and IP 68 are not suitable for use under water. When used outdoors, the plug connectors must be protected separately against corrosion. For further information on the IP protection classes, please refer to the "Technical Information" download centre.