



NEMA ML-2

# 2-Pole 3-Wire Grounding 15 Amp 125V

## Midget Locking Devices

### Features - Specifications

#### NYLON PLUG AND CONNECTOR

- Impact/chemical-resistant nylon construction
- Nonmetallic "Quad-Gripper" cord grip
- Captive terminal screws are color-coded for easy identification
- Dead front construction
- Individual wire pockets, clamp-type terminals
- Conforms to NEMA and ANSI Standards
- Strip gauge for accurate wiring
- Captive assembly screws
- Ribbed nylon exterior provides firm grip
- Devices keyed for proper assembly
- UL Listed File #E1381 – Guide #AXUT
- CSA Certified File #LR16215 – Guide #20T2



7594NP



7593NC

#### MALE BASE AND FEMALE EQUIPMENT RECEPTACLE

- Individual wire pockets, clamp-type terminals
- Impact/chemical-resistant nylon construction
- Strip gauge for accurate wiring
- Color-coded terminals for easy identification
- Captive terminal screws
- Conform to NEMA and ANSI Standards

#### MALE BASE

- UL Listed File #E1381 – Guide #AXUT
- CSA Certified File #LR16215 – Guide #20T2

#### FEMALE EQUIPMENT RECEPTACLE

- UL Listed File #E2258 – Guide #RTRT
- CSA Certified File #LR16215 – Guide #365-E-1

#### ALL LOCKING DEVICES

- Comply with NEMA Standards WD-1, WD-6 and UL 498
- NOM
- CE

### LOCKING DEVICES

CATALOG NUMBER	CORD DIA.	DESCRIPTION
7594NP	.281 - .625 (7.1-15.9)	Black/white nylon plug, Quad Gripper cord grip
7593NC	.281 - .625 (7.1-15.9)	Black/white nylon connector, Quad Gripper cord grip
7595MB	—	Male equipment base, white nylon cup
7596ER	—	Female equipment receptacle, white nylon cup

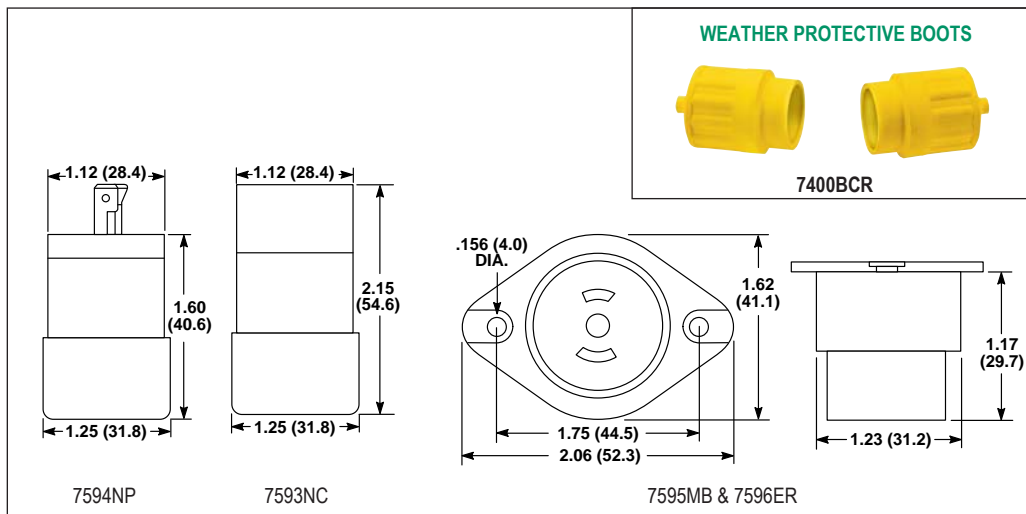
### WEATHER PROTECTIVE BOOT

CATALOG NUMBER	DESCRIPTION
7400BCR	Yellow neoprene boot for use on both 7594NP and 7593NC



7595MB

### PRODUCT DIMENSIONS – ( ) Indicates mm dimensions



Specifications are subject to change without notice.