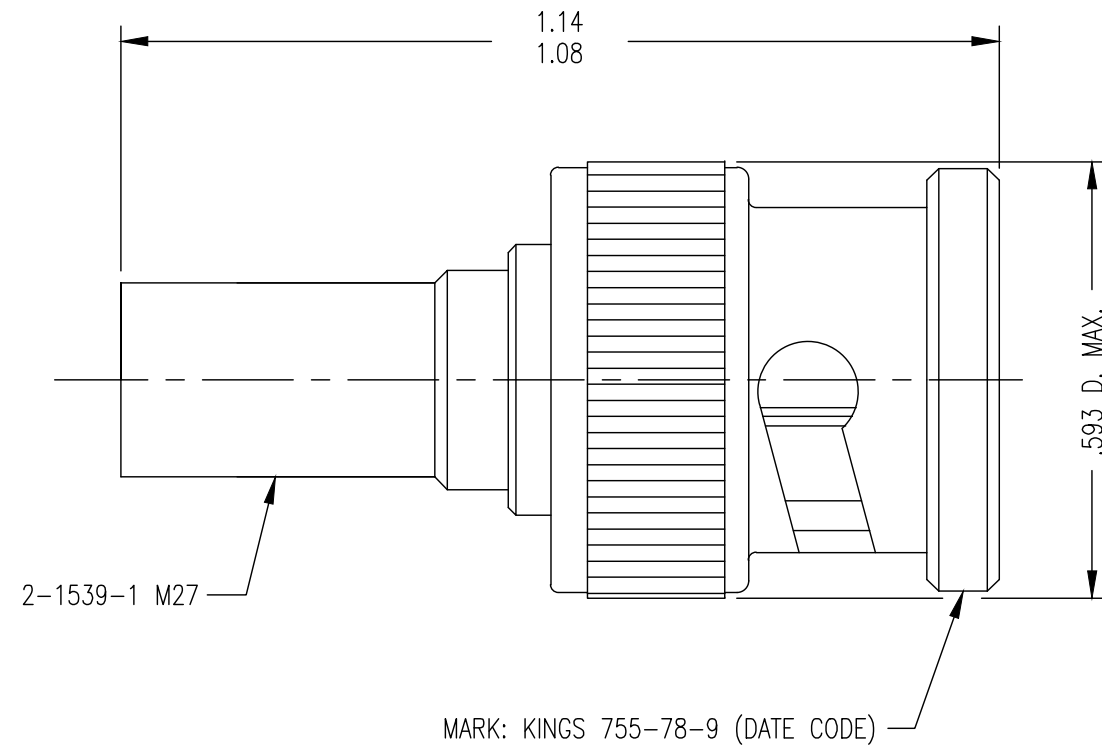


PART NO. 755-78-9

REVISIONS	
ISSUE	CHANGES
J	REVISED AND REDRAWN PER ER8354 RMS 05/29/08
K	REVISED PER DMF304 & ER35722 KPL 11/04/11



CUSTOMER
SALES
DRAWING

THIS DRAWING, THE DESIGNS AND IDEAS EMBODIED IN THE DEVICE TO WHICH IT RELATES, AND THE METHOD OF PRODUCING THE DEVICE, ARE THE PROPERTY OF WINCHESTER ELECTRONICS CORPORATION AND SHALL NOT BE EMPLOYED, COPIED, OR DISCLOSED TO ANYONE, IN ANY MANNER WITHOUT THE CONSENT OF WINCHESTER ELECTRONICS CORPORATION.

SCALE 4:1

APPROX SURFACE AREA
E-17383

CAGE CODE: 91836

REF:

PLUG, BNC

DRAWN KH	DATE 04/06/92
DESIGN JT	DATE 04/07/92
APPR.	DATE

WINCHESTER ELECTRONICS Winchester Electronics Corporation
62 Barnes Industrial Road North
Wallingford, Connecticut 06492

SD755-78-9

NOTES:

- FOR USE WITH BOEING BMS13-65 OF & ADAMS RUSSELL FC14Z CABLE.
- FOR CABLING INSTRUCTIONS SEE 3-546-1.
- FOR CRIMPING USE DIE KTH-2161.
- INTERFACE PER MIL-STD-348, FIG. 301-1.
- CENTER CONTACT (1-569-21MA9) SUPPLIED UNASSEMBLED.
- MARK PACKAGE: KINGS 755-78-9 (DATE CODE)
- MATERIALS:
INSULATOR: TEFLON, ASTM D1710
K-GRIP SLEEVE: COM. BRONZE, ASTM B135
GASKET: SILICONE RUBBER, A-A-59588
OUTER CONTACT } BER. COPPER, ASTM B196
SPRING WASHER }
ALL OTHER METAL PARTS: BRASS, ASTM B16

- FINISHES:
CENTER CONTACT: .000050 MIN GOLD PLATE, PER ASTM B488 OVER
.000050 MIN. NICKEL PER AMS-QQ-N-290 (RoHS)
SPRING WASHER: .00020 MIN SILVER PLATE PER ASTM B700 OVER
.000020 MIN COPPER PER ASTM B734 (RoHS)
ALL OTHER METAL PARTS: .000050 MIN NICKEL PER AMS-QQ-N-290
OVER .000050 MIN COPPER PER ASTM B734 (RoHS)
- ELECTRICAL CHARACTERISTICS:
NOMINAL IMPEDANCE: 50 OHMS
WORKING VOLTAGE: 500 VRMS
FREQUENCY RANGE: DC TO 4 GHz.
VSWR: 1.30 MAX. 0-4 GHz.
INSERTION LOSS: DC TO 2.8 GHz, 0.05 dB MAX
2.8 TO 5.0 GHz, 0.12 dB MAX

10. WEIGHT: 9.9 GRAMS