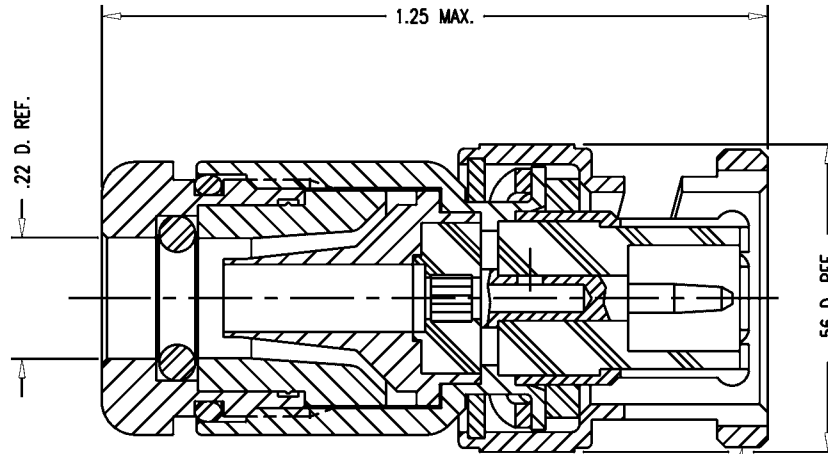


GSD



STAMP: 91836 M39012/16-0101
755-74-5 XX XX
DATE CODE

NOTES:

1. FOR USE WITH M17/028-RG058, /84-RG223, /128-RG400 & /060-RG142 CABLE.
2. FOR CABLING INSTRUCTIONS SEE 3-561.
3. INTERFACE PER MIL-STD-348, FIG. 301-1.
4. MATERIALS:
INSULATORS: TEFLON, ASTM-D-1457
GASKET & O-RINGS: SIL. RUBBER, Z2-R-765
OUTER CONTACT & SPRING WASHER: BER. COPPER, ASTM-B-196
ALL OTHER METAL PARTS: BRASS, ASTM-B16
5. FINISHES:
CENTER CONTACT: HARD GOLD PLT. PER MIL-G-45204
ALL OTHER METAL PARTS: SILVER PLATE PER QQ-S-365
6. ELECTRICAL CHARACTERISTICS:
NOMINAL IMPEDANCE: 50 OHMS
VOLTAGE RATING: 500 VOLTS RMS
FREQUENCY RANGE: DC TO 4 GHz

GSD

M39012/16-0101

REVISIONS	
ISSUE	CHANGES
0	ER 34753 KH 07/12/93
1	CN 35196 C MJB 12/02/93
755-74-5 DET1089	
SCALE 4:1	
APPROX SURFACE AREA	
WAS: E-17622	
USED ON	
REF:	
PL, TPGP, BNC	
DRAWN KH	DATE 07/12/93
DESIGN MJB	DATE 09/24/92
APPR.	DATE
 ELECTRONICS CO., INC. TUCKAHOE, NEW YORK 10707	
M39012/16-0101	