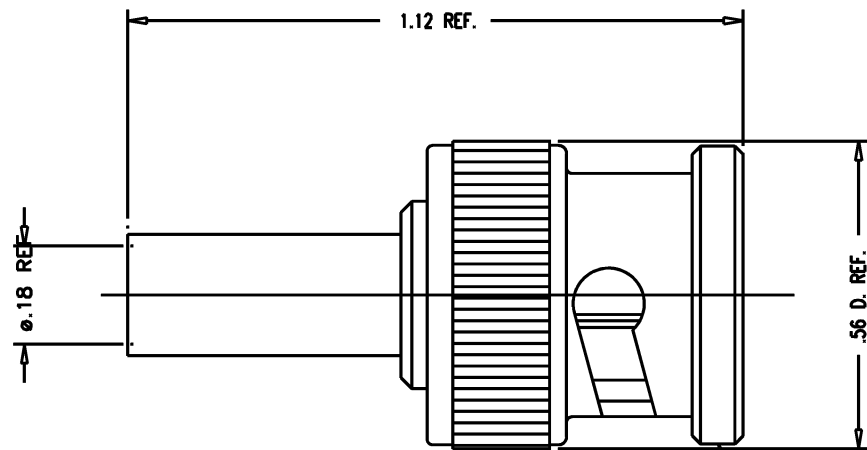


DASH NO.	M CODE	MADE FROM
----------	--------	-----------

# GSD

M39012/16-0502

REVISIONS	
ISSUE	CHANGES
0	ER 39010 DCT 2/3/04
1	CN 39116 E DCT 7/12/04
2	CN 39814 E BAM 02/28/07
3	CN 39929 C PMC 5/16/07



STAMP: 91836 M39012/16-0502  
755-120-5 XXXX  
DATE CODE

**NOTES:**

- FOR USE WITH RG-180 CABLE GROUPS.
- FOR CABLING INSTRUCTIONS SEE CP-465.
- FOR CRIMPING USE DIE KTH-2007.
- INTERFACE PER MIL-STD-348, FIG. 301-1.
- CENTER CONTACT TO BE SUPPLIED UNASSEMBLED.
- MATERIALS:  
INSULATOR: TEFLON, ASTM-D4894  
GASKET: SILICONE RUBBER, A-A-59588  
SPRING WASHER: BER. COP. ASTM-B-196  
OUTER CONTACT: BER. COP. ASTM-B-196  
CRIMP SLEEVE; COMM. BRONZE, ASTM-B16, H02  
ALL OTHER METAL PARTS: BRASS, ASTM-B36
- FINISHES:  
CENTER CONTACT: GOLD PLATE PER ASTM-B488  
ALL OTHER METAL PARTS: SILVER PLATE PER ASTM-B700
- ELECTRICAL CHARACTERISTICS:  
NOMINAL IMPEDANCE: 50 OHM  
FREQUENCY RANGE: DC TO 4 GHz  
VOLTAGE RATING: 500 VOLTS RMS

SCALE 4:1	
APPROX SURFACE AREA	
755-120-5	
USED ON	
REF:	
PLUG, BNC	
DRAWN DCT	DATE 1/8/04
DESIGN DCT	DATE 10/24/03
APPR.	DATE
 ELECTRONICS CO., INC. ROCK HILL, SOUTH CAROLINA 29730	
M39012/16-0502	

# GSD