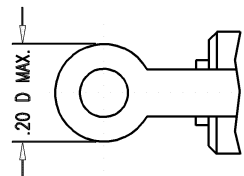
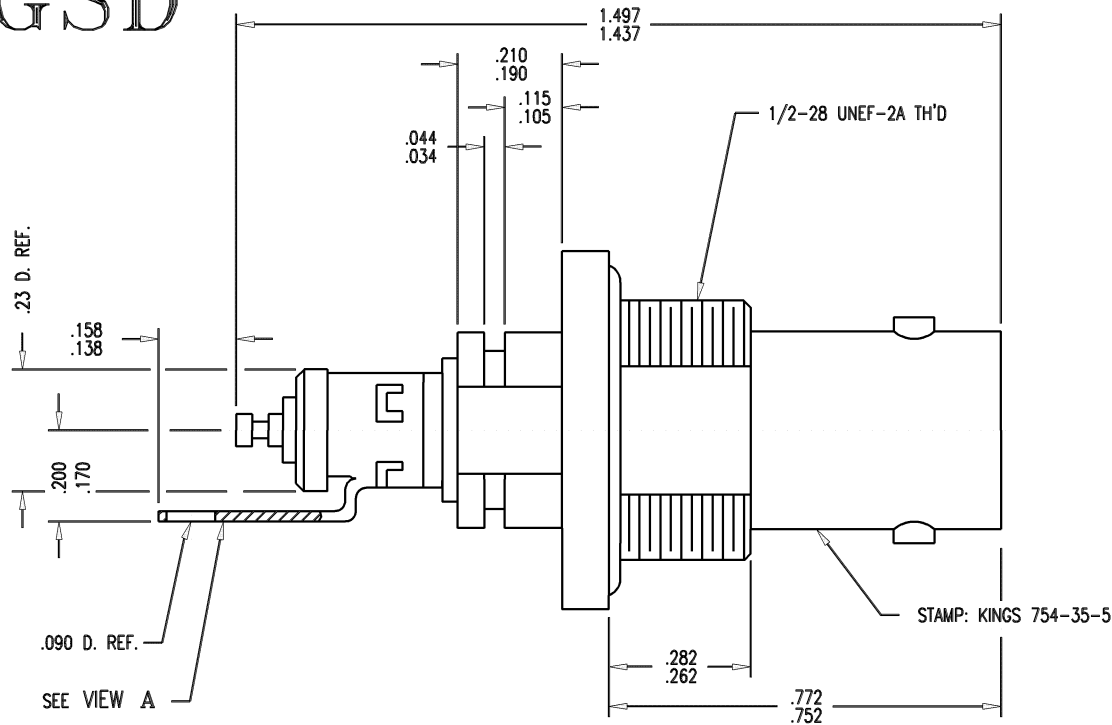


# GSD

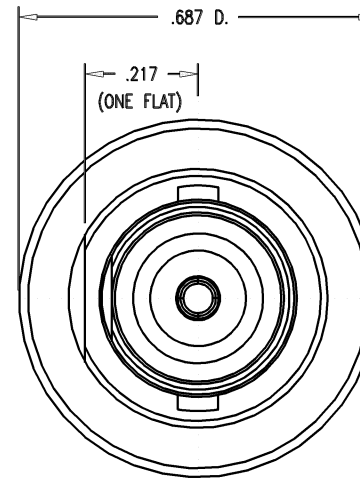


VIEW A

**NOTES:**

- CONNECTOR MUST BE CAPABLE OF WITHSTANDING A 30 PSI PRESSURE TEST, IN BOTH MATED & UNMATED POSITIONS OF INTERNAL PARTS.
- CONTINUITY BETWEEN CONTACT AND SOLDER LUG MUST BE BROKEN WHEN A 1.5 LB. ±.5 LB. FORCE IS APPLIED TO THE FRONT OF INSULATOR. WHEN FORCE IS REMOVED CONTINUITY MUST RESUME INSTANTANEOUSLY.
- MATERIALS:**  
 INSULATORS: TEFLON, ASTM-D-4894  
 O-RINGS: SYNTHETIC RUBBER, PER MIL-P-25732  
 COIL SPRING: STAINLESS STEEL TUBE, 316 FM  
 PLASTIC CAP: VINYL, COLOR: RED  
 SOLDER LUG  
 CONTACT F  
 FLANGE  
 RETAINING RING  
 ALL OTHER METAL PARTS: BRASS, ASTM-B16

# GSD



754-35-5

**REVISIONS**

ISSUE	CHANGES
3	ER 36884 KH 03/18/96
4	CN 37026 C AR 06/25/96

KAM6486

SCALE 4:1

APPROX SURFACE AREA

WAS: E-19172B

USED ON

REF: HARRIS CORP., #10512-2941 REV. 3

RECEPTACLE, BULKHEAD, BNC

DRAWN KH DATE 03/18/96

DESIGN CT DATE 03/19/96

APPR. DATE

**KINGS**  
ELECTRONICS CO., INC.  
TUCKAHOE, NEW YORK 10707

754-35-5

# GSD