

VERONEX Hand-held Cases

The VERONEX hand held range have been designed for a variety of portable applications including data acquisition, field test and measurement.

The size 1 units, are supplied with the belt clip fitted as standard, but do not have a LCD cut out or recessed area for membranes. Unique to the two larger units are the top covers which feature a recessed membrane keypad area designed to accept a 74mm x 40mm (size 2) or 96mm x 60mm (size 3) membranes and an LCD cutout to accept meters and displays – see page 11 for details.

The size 2 units will accept a 40mm x 20mm LCD (viewing area 31 x 14mm) and size 3 will accept a 60 x 30mm LCD (viewing area 47 x 18mm).

Contents of kit

Description	Qty.	Material/Finish
Base moulding	1	RAL 7035,UL94-V0 flame retardant ABS
Top moulding	1	RAL 7035,UL94-V0 flame retardant ABS
Moulded end panels	2	RAL 7035,UL94-V0 flame retardant ABS
Belt clip (size 1 only)		
Fixing screws	4	
Self tapping pcb screws	4	
LCD lens (size 2 and 3 only)		Clear polycarbonate

Ordering information

Description: Without battery compartment

Size	H	W	D	Order code
1	90	50	16	75-228111
	90	50	24	75-228112
2	120	60	30	75-228113
3	150	80	30	75-228114
	150	80	45	75-228115

Description: With battery compartment

Size	H	W	D	Order code
2 ?	120	60	30	75-227909
3 ??	150	80	30	75-227910
	150	80	45	75-227911

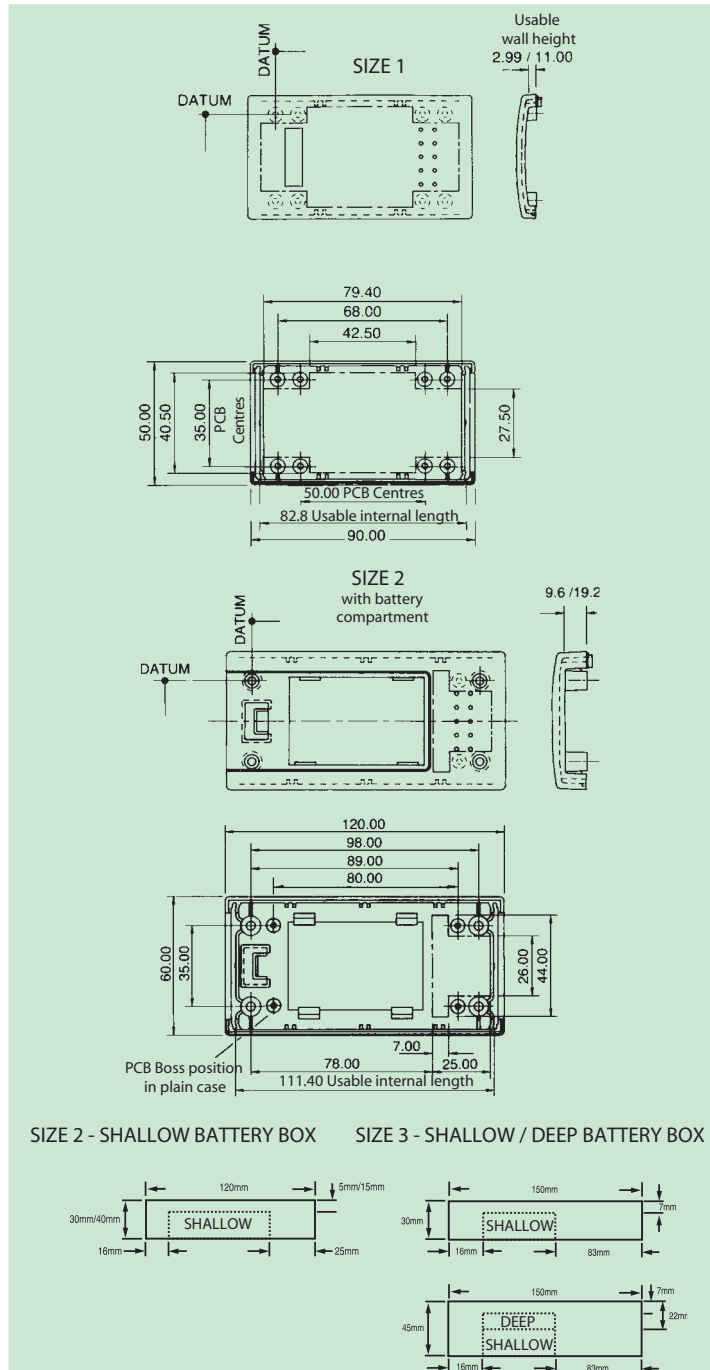
? Case will accept Shallow Battery Box

?? Case will accept either Shallow or Deep Battery Box

For details of a full range of VERONEX compatible accessories, please refer to page 15.



VERONEX hand held



VERONEX Hand-held Cases

These size 2 and 3 cases are supplied in black and feature both LCD display and membrane keypad areas on the top cover, and a battery compartment on the base.

Contents of kit

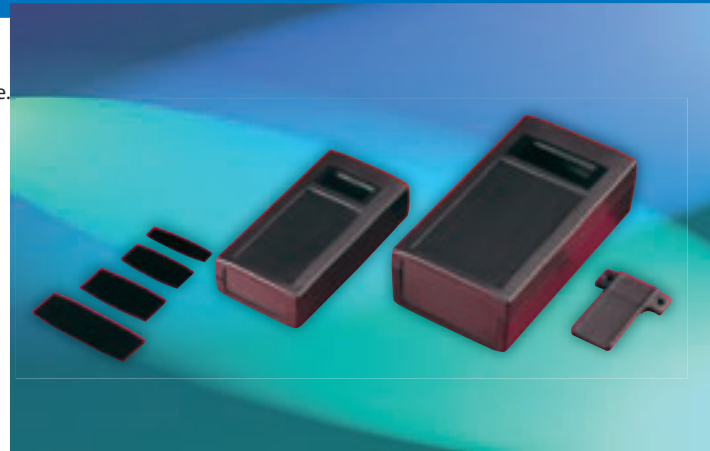
Description	Qty.	Material/Finish
Base moulding	1	Black, UL94-V0 flame retardant ABS
1 Top moulding	1	Black, UL94-V0 flame retardant ABS
2 Moulded end panels	2	Black, UL94-V0 flame retardant ABS
4 Fixing screws	4	
4 Self tapping pcb screws	4	
LCD lens		Clear polycarbonate

Ordering information

Description: With battery compartment

Size	L	W	H	Order code
2	120	60	30	75-237428
3	150	80	30	75-237431
	150	80	45	75-237432

For details of a full range of VERONEX compatible accessories, please refer to page 15.



VERONEX hand held

