



Description

These rugged revolution counters are completely sealed, tamper resistant, and maintenance-free. They can be mounted on a rotating shaft or wheel. Adds in either direction, and records revolutions, miles, kilometers, or acres. They are used on material handling equipment, farm machinery, rapid transit vehicles, street sweepers, golf carts, and construction equipment.

Features

- Sealed
- Tamper resistant
- Bi-directional

Options

- Face plate
- Custom calibrations

Specifications

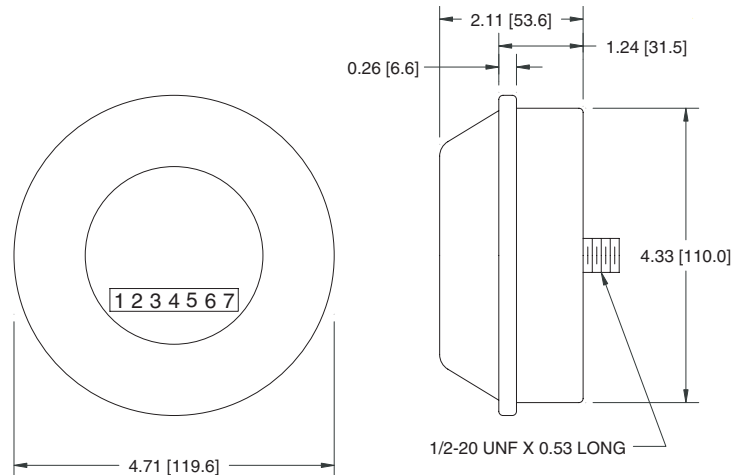
Figures: 7 figures, 0.19" [5mm] high
Temp. Range: -50°F to +180°F [-45°C to +82°C]
Weight: 1.5 Lbs. [0.7kg]

Models	Description	Models	Description
750-0002	Reading x 10 = Total Revolutions (Revolutions)	750-0114	Reading x 100 = Revolutions (Revolutions)
750-0007	(9.5L - 15) x 15' (Acres)	750-0156	798 Revolutions per Acre (Acres)
750-0016	364 Revolutions per Acre (Acres)		

Consult factory for a counter to meet your specific needs.

Dimensions

Hubodometer



Applications

Rapid transit vehicles



Farm machinery



Golf carts



Construction equipment

