

**PLEASE CHECK WWW.MOLEX.COM FOR LATEST PART INFORMATION**

**Part Number:** [0746951002](#)  
**Status:** **Active**  
**Overview:** VHDM-HSD™ Backplane Connectors  
**Description:** VHDM-HSD™ Backplane Header, 2.00mm Pitch, 5-Row, Open Module, 40 Circuits, Pin Length 6.25mm. Series:74702 Enables designers to create custom loaded connectors utilizing standard pin lengths 4.25, 4.75, 5.15 and 6.25mm

**Documents:**

[Drawing \(PDF\)](#) [RoHS Certificate of Compliance \(PDF\)](#)  
[Packaging Specification PK-74695-003 \(PDF\)](#)

**Agency Certification**

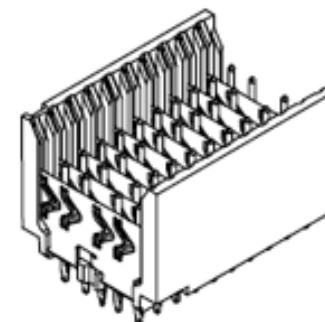
CSA LR19980  
 UL E29179

**General**

Product Family Backplane Connectors  
 Series [74695](#)  
 Application Backplane  
 Application Tooling Documents TM-622010999  
 Comments Open Header  
 Component Type PCB Header  
 Overview [VHDM-HSD™ Backplane Connectors](#)  
 Product Name VHDM-HSD™  
 UPC 800756544540

**Physical**

Circuits (Loaded) 40  
 Circuits (maximum) 40  
 Color - Resin Black  
 Durability (mating cycles max) 200  
 First Mate / Last Break No  
 Flammability 94V-0  
 Guide to Mating Part No  
 Keying to Mating Part None  
 Material - Metal High Performance Alloy (HPA)  
 Material - Plating Mating Gold  
 Material - Plating Termination Matte Tin  
 Material - Resin High Temperature Thermoplastic  
 Net Weight 3.783/g  
 Number of Columns 10  
 Number of Pairs Open Pin Field  
 Number of Rows 5  
 Orientation Vertical  
 PC Tail Length 2.50mm  
 PCB Locator No  
 PCB Retention None  
 PCB Thickness - Recommended 1.80mm  
 Packaging Type Tube  
 Pitch - Mating Interface 2.00mm  
 Pitch - Termination Interface 2.00mm  
 Plating min - Mating 0.762µm  
 Plating min - Termination 0.762µm  
 Polarized to PCB Yes  
 Surface Mount Compatible (SMC) Yes  
 Temperature Range - Operating -55°C to +105°C  
 Termination Interface: Style Through Hole - Compliant Pin



Series image - Reference only

**EU ELV**

**Not Relevant**

**EU RoHS**

**Compliant**  
**REACH SVHC**

Not Contained Per -  
 ED/21/2016 (20 June  
 2016)

**Halogen-Free**

**Status**

**Low-Halogen**

**Need more information on product environmental compliance?**

Email [productcompliance@molex.com](mailto:productcompliance@molex.com)  
 Please visit the [Contact Us](#) section for any non-product compliance questions.

China ROHS  
 ELV

Green Image  
 Not Relevant

**Search Parts in this Series**

[74695](#) Series

**Mates With**

[74670](#) VHDM-HSD™ Daughtercard

**Application Tooling | FAQ**

*Tooling specifications and manuals are found by selecting the products below. Crimp Height Specifications are then contained in the Application Tooling Specification document.*

**Global**

Description	Product #
Signal Header, 5-Row by 10-Wide, 20.00mm	<a href="#">0622020201</a>
Signal Pin Inserter Repair Tool	<a href="#">0622015700</a>
5-Row Pin and Shield Repair Tool	<a href="#">0622015810</a>

**Electrical**

Current - Maximum per Contact	1.0A
Data Rate	5.0 Gbps
Shield Type	Ground Plane Shield
Shielded	Yes
Voltage - Maximum	120V AC (RMS)/DC

**Solder Process Data**

Lead-free Process Capability	N/A
------------------------------	-----

**Material Info****Reference - Drawing Numbers**

Packaging Specification	PK-74695-003
Sales Drawing	SD-74695-002

Note: HDM, HDM+, VHDM, VHDM-HSD and GbX are trademarks or registered trademarks of Amphenol TCS.

This document was generated on 07/11/2016

**PLEASE CHECK [WWW.MOLEX.COM](http://WWW.MOLEX.COM) FOR LATEST PART INFORMATION**