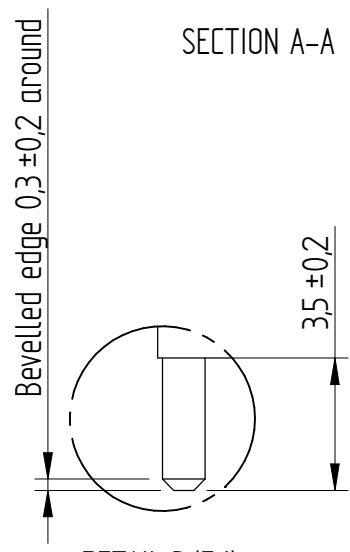
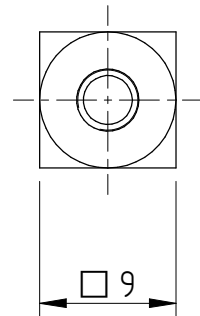
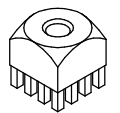


SECTION A-A



DETAIL B (5:1)



(1:1)

Surface coating 5-10µm Sn on 2-4µm Cu

(PROJECTION)		(TOLERANCES)	DIN ISO 2768-m	(SURFACE)	SCALE	2:1	TOTAL WEIGHT: 4,0 g
					(MATERIAL)	CuZn39Pb3	WEIGHT Cu: 0,0154 g
					(TITLE)	Bush with threaded hole M4 Pin-Plate Circumferences	WEIGHT Sn: 0,0315 g
							(DRAWING NUMBER)
ISSUE	CHANGE	DATE	NAME				1
CONFIDENTIAL !! ALL RIGHTS RESERVED. Passing on or duplication without prior written agreement prohibited.							