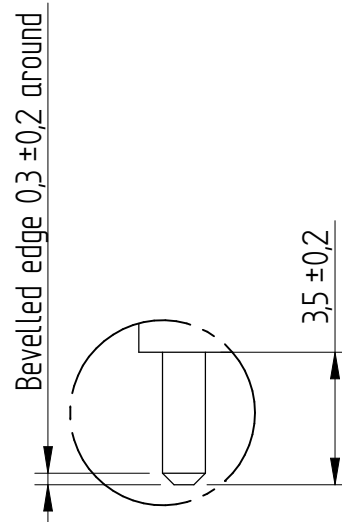
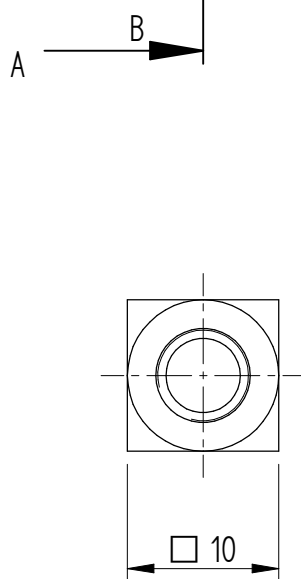
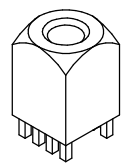


SECTION A-A



DETAIL B (5:1)



(1:1)

Surface coating 5-10 $\mu$ m Sn on 2-4 $\mu$ m Cu

(PROJECTION)		(TOLERANCES)	DIN ISO 2768-m	(SURFACE)	SCALE	2:1	TOTAL WEIGHT: 9,6 g
					(MATERIAL)	CuZn39Pb3	WEIGHT Cu: 0,0271 g
F					(TITLE)	Bush with threaded hole M6 two Rows Pin-Plate	WEIGHT Sn: 0,0554 g
							(DRAWING NUMBER)
ISSUE	CHANGE	DATE	NAME		CONFIDENTIAL !! ALL RIGHTS RESERVED. Passing on or duplication without prior written agreement prohibited.		1