

PLEASE CHECK WWW.MOLEX.COM FOR LATEST PART INFORMATION

Part Number: [0745400201](#)
Status: **Active**
Overview: [iPass™ Connector System](#)
Description: [PCIe* Guide Frame, x8, for Standard Host Boards, With Blocking Key](#)

Documents:

[3D Model](#) [RoHS Certificate of Compliance \(PDF\)](#)
[Drawing \(PDF\)](#)

General

Product Family	EMI Cages
Series	74540
Application	Module-to-Board
Comments	For Standard Host Boards
Component Type	Guide Frame
Overview	iPass™ Connector System
Product Name	PCI Express†
UPC	822350703833

Physical

EMI Panel / Bezel Mount	Behind the Bezel
Light Pipes per Port	0
Material - Metal	Zinc Die Cast
Net Weight	18.530/g
Orientation	Horizontal
Packaging Type	Tray
Port Configuration	1x1
Rear Legs	0
Termination Interface: Style	N/A
Thermal Height	N/A
Thermal Solutions	Closed Top

Solder Process Data

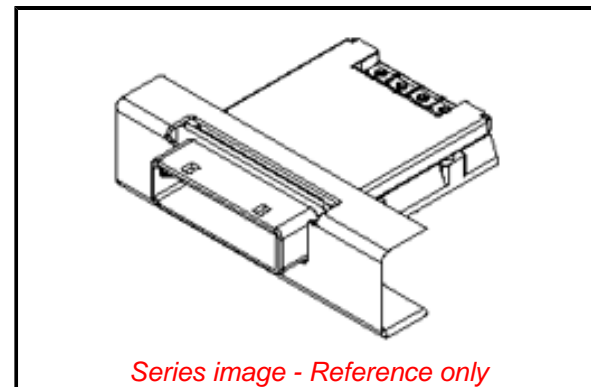
Lead-freeProcess Capability	N/A
-----------------------------	-----

Material Info

Reference - Drawing Numbers

Sales Drawing	SD-74540-101
---------------	--------------

*PCIe is a registered trademark of PCI-SIG®. †PCI Express is a registered trademark of PCI-SIG®.



EU ELV

Not Relevant

EU RoHS

Compliant

REACH SVHC

Not Contained Per
-ED/01/2017 (12
January 2017)

Halogen-Free

Status

Low-Halogen

Need more information on product environmental compliance?

Email productcompliance@molex.com
Please visit the [Contact Us](#) section for any non-product compliance questions.

China ROHS

ELV

RoHS Phthalates

Green Image

Not Relevant

Not Contained

Search Parts in this Series

[74540](#) Series

Mates With

[74546](#) iPass™ Cable Assembly