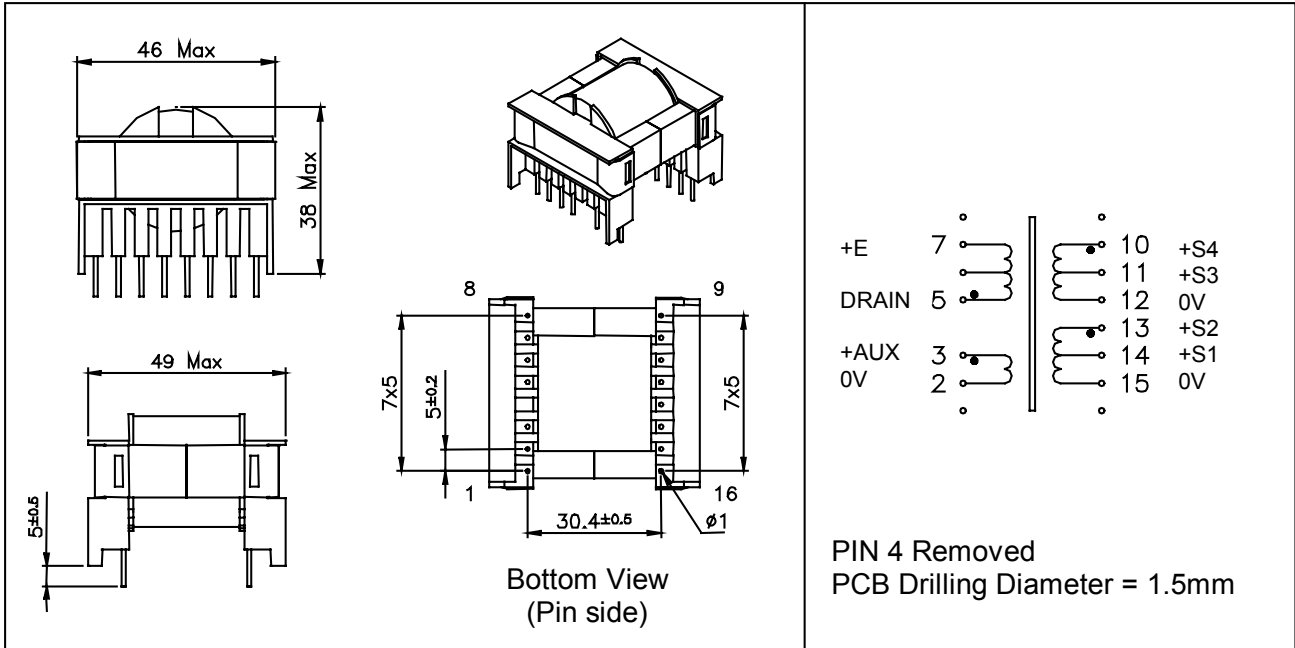


SIZE ETD39 - 4 OUTPUTS: 5+12 / 5+12v - FLYBACK TRANSFORMER

Primary / Secondary Insulation $\geq 4000V$
 Primary / Auxiliary Insulation $\geq 1500V$
 Creepage distance Primary / Secondary $\geq 8mm$
 Ambient temperature $< 50^{\circ}C$
 Construction conforms to IEC950, IEC335, IEC61558 for reinforced insulation
 Exclusively uses UL94-V0 listed materials



MYRRA P / N	Output Power maximum	Windings					
			Pins	Turns	Voltage	Current maximum	Inductance (+/-10%)
74060	140 w	Pri	5 – 7	36	65 – 125 (VOR)	4 Apeak	440 μ H
		Aux	3 – 2	4	7 – 14 Vdc	0.5 Adc	
		S1	14 – 15	2	3.3 – 6.5	5 Adc	
		S2	13 – 15	5	8.5 – 17 Vdc	5 Adc	
		S3	11 – 12	2	3.3 – 6.5	5 Adc	
		S4	10 – 12	5	8.5 – 17 Vdc	5 Adc	

Note : S1 / S3 or S2 / S4 can be connected in series or in parallel

Examples of application with Integrated Circuits :

MYRRA P / N	Control IC Manufacturer	Control IC P / N	Input voltage	Power	Frequency
74060	Power Integrations	TOP247Y	185 - 265Vrms	140w	132kHz
	Power Integrations	TOP247Y	85 - 265Vrms	90w	66 or 132kHz
	ST Microelectronics	VIPer100A	85 - 265Vrms	70w	70kHz
	ST Microelectronics	VIPer100A	185 - 265Vrms	120w	100kHz
	Motorola	MC33374	85 - 265Vrms	70w	100kHz
	Motorola	MC33374	185 - 265Vrms	120w	100kHz
	Infineon	TDA16836	85 - 265Vrms	70w	100kHz
	Infineon	TDA16836	185 - 265Vrms	120w	100kHz
	Fairchild	KA1H0565R	85 - 265Vrms	70w	100kHz
Fairchild	KA1H0565R	185 - 265Vrms	120w	100kHz	