

SIZE EL19 - 2 OUTPUTS: 5 & 12v - FLYBACK TRANSFORMER

Primary / Secondary Insulation $\geq 4000V$

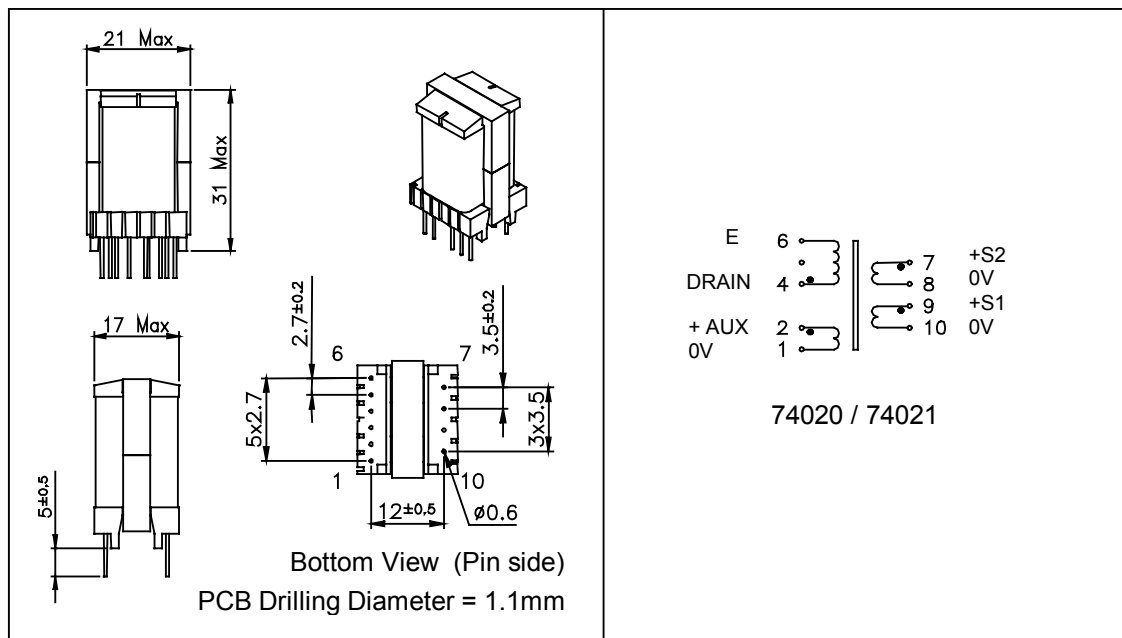
Primary / Auxiliary Insulation $\geq 1500V$

Creepage distance Primary / Secondary $\geq 6mm$

Ambient temperature $< 50^{\circ}C$

Construction conforms to IEC950, IEC335, IEC61558 for reinforced insulation

Exclusively uses UL94-V0 listed materials



MYRRA P / N	Output Power maximum	Windings					
			Pins	Turns	Voltage	Current maximum	Inductance (+/-10%)
74020	18 w	Pri	4 - 6	108	65 – 130 (VOR)	0.8 Apeak	1250µH
		Aux	2 - 1	12	7 – 14 Vdc	0.1 Adc	
		S1	9 - 10	6	3.3 – 7 Vdc	3 Adc	
		S2	7 - 8	14	8 – 16.5 Vdc	1.4 Adc	
74021	18 w	Pri	4 - 6	108	65 – 130 (VOR)	1.1 Apeak	900µH
		Aux	2 - 1	12	7 – 14 Vdc	0.1 Adc	
		S1	9 - 10	6	3.3 – 7 Vdc	3 Adc	
		S2	7 - 8	14	8 – 16.5 Vdc	1.4 Adc	

Examples of application with Integrated Circuits :

MYRRA P / N	Control IC Manufacturer	Control IC P / N	Input voltage	Power	Frequency
74020	Power Integrations	TNY268	85 - 265Vrms	15w	132kHz
	Power Integrations	TOP243P	185 - 265Vrms	18w	132kHz
	Power Integrations	TOP243P	85 - 265Vrms	12w	132kHz
	ST Microelectronics	VIPer20	85 - 265Vrms	10w	100kHz
	ST Microelectronics	VIPer20	185 - 265Vrms	12w	100kHz
	ST Microelectronics	VIPer50	185 - 265Vrms	16w	100kHz
	Motorola	MC33370	185 - 265Vrms	16w	100kHz
	Infineon	TDA16832	185 - 265Vrms	16w	100kHz
74021	ST Microelectronics	VIPer50	85 - 265Vrms	13w	70kHz
	Motorola	MC33370	85 - 265Vrms	13w	100kHz
	Infineon	TDA16831	92 - 265Vrms	10w	100kHz