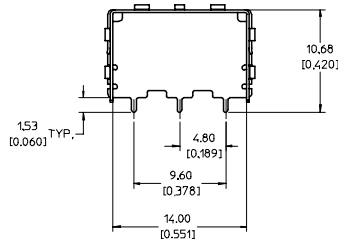
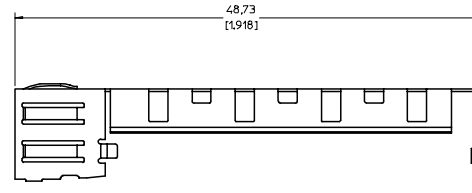
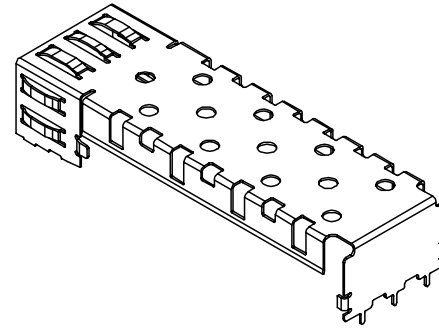
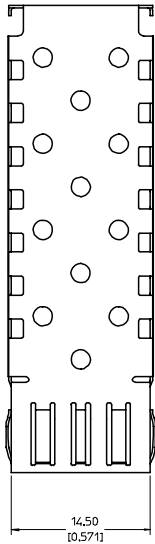


20 19 18 17 16 15 14 13 12 11 10 9 8 7 6 5 4 3 2 1

M  
L  
K  
J  
I  
H  
G  
F  
E  
D  
C  
B  
A



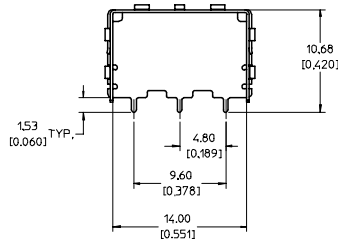
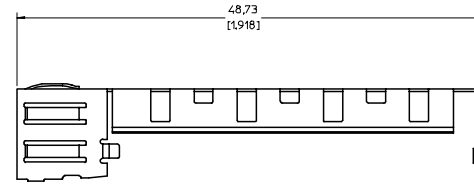
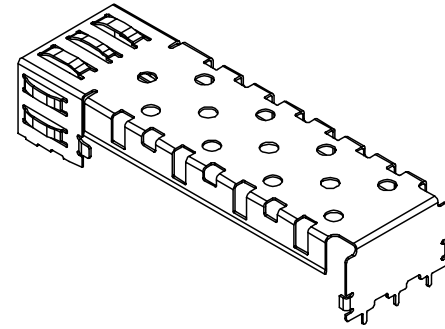
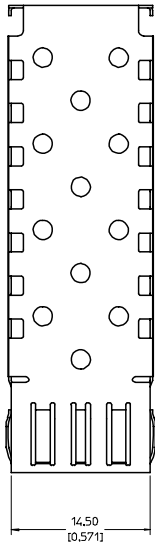
NOTES:

1. MATERIAL: COPPER ALLOY
2. PLATING: BRIGHT TIN  
2.54 MICROMETERS TIN (MIN)  
OVER 0.76 MICROMETERS (MIN) NICKEL
3. FOR DETAILS OF PCB AND BEZEL LAYOUT REFER TO DOCUMENT SD-73927-100.
4. THIS PRODUCT NOT INTENDED FOR LEAD FREE, (RoHS), REFLOW PROCESS.  
REFLOW TEMPERATURE SHOULD NOT EXCEED 180°C
5. FOR RoHS COMPLIANT REPLACEMENTS REFER TO MOLEX SERIES 74737.

<b>ENTER DESCRIPTION</b> EC NO: UST2006-0264 DRWN:KJMONSON 2006/07/03 CHKD:BRUSSELL 2006/07/06 APPR:BRUSSELL 2006/07/24	QUALITY SYMBOLS	GENERAL TOLERANCES (UNLESS SPECIFIED)		DIMENSION STYLE		SCALE	DESIGN UNITS	THIRD ANGLE PROJECTION	
	▽=0 ▽=0	mm	INCH	MM/IN		4:1	METRIC		
		4 PLACES ± --- ± ---	3 PLACES ± --- ± .005	2 PLACES ± 0.13 ± .01	1 PLACE ± 0.25 ± ---	DRAWN BY: KJMONSON DATE: 2005/10/12 CHECKED BY: BRUSSELL DATE: 2005/10/12 APPROVED BY: BRUSSELL DATE: 2005/10/12	TITLE: SFP CAGE COVER		
		ANGULAR ± 1 °		MATERIAL NO: 739270020		DOCUMENT NO: SD-73927-0020		SHEET NO: 1 OF 1	
DRAFT WHERE APPLICABLE MUST REMAIN WITHIN DIMENSIONS		SIZE D		THIS DRAWING CONTAINS INFORMATION THAT IS PROPRIETARY TO MOLEX INCORPORATED AND SHOULD NOT BE USED WITHOUT WRITTEN PERMISSION					

M  
L  
K  
J  
I  
H  
G  
F  
E  
D  
C  
B  
A

19 18 17 16 15 14 13 12 11 10 9 8 7 6 5 4 3 2 1



NOTES:

1. MATERIAL: COPPER ALLOY
2. PLATING: BRIGHT TIN  
2.54 MICROMETERS TIN (MIN)  
OVER 0.76 MICROMETERS (MIN) NICKEL
3. FOR DETAILS OF PCB AND BEZEL LAYOUT REFER  
TO DOCUMENT SD-73927-100.
4. THIS PRODUCT NOT INTENDED FOR LEAD FREE, REFLOW PROCESS.  
REFLOW TEMPERATURE SHOULD NOT EXCEED 180°C. FOR  
REFLOW PROCESSES GREATER THAN 180°C, REFER TO MOLEX  
SERIES 74737.

ENTER DESCRIPTION EC NO: 2006/0729 DRAWN BY: DORWYN COX CHKD: 2006/08/07 APPR: BRUSSELL 2006/08/15	QUALITY SYMBOLS ▽=0 ▽=0	GENERAL TOLERANCES (UNLESS SPECIFIED)		DIMENSION STYLE		SCALE	DESIGN UNITS	THIRD ANGLE PROJECTION
		mm	INCH	MM/IN		4:1	METRIC	
REV DESCRIPTION	4 PLACES ± --- ± ---	DRAWN BY DATE		TITLE		Molex MOLEX INCORPORATED		
	3 PLACES ± --- ± .005	KS IMONSON 2005/10/12		SFP CAGE COVER				
	2 PLACES ± 0.13 ± .01	CHECKED BY DATE						
	1 PLACE ± 0.25 ± ---	BRUSSELL 2005/10/12						
	ANGULAR ± 1 °	APPROVED BY DATE						
		BRUSSELL 2005/10/12						
DRAFT WHERE APPLICABLE MUST REMAIN WITHIN DIMENSIONS		MATERIAL NO. 739270020		DOCUMENT NO. SD-73927-020		SHEET NO. 1 OF 1		
THIS DRAWING CONTAINS INFORMATION THAT IS PROPRIETARY TO MOLEX INCORPORATED AND SHOULD NOT BE USED WITHOUT WRITTEN PERMISSION								