

Gaps Between Spring
Tabs < 0.120" (3.0mm)

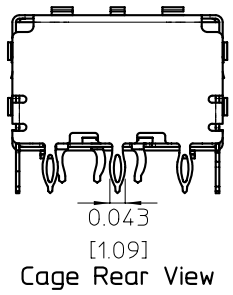
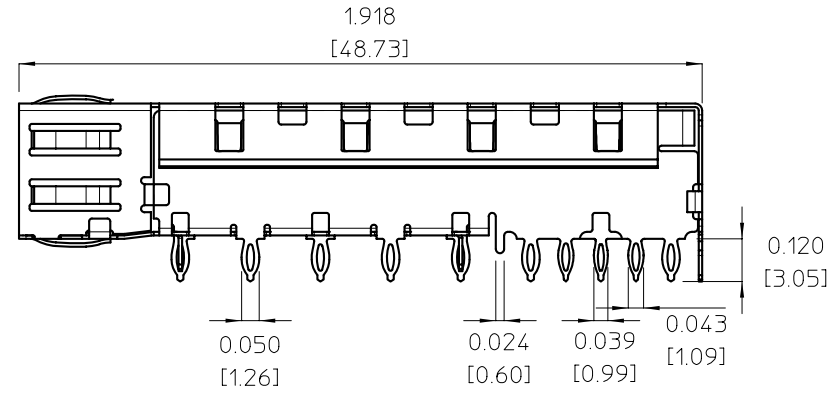
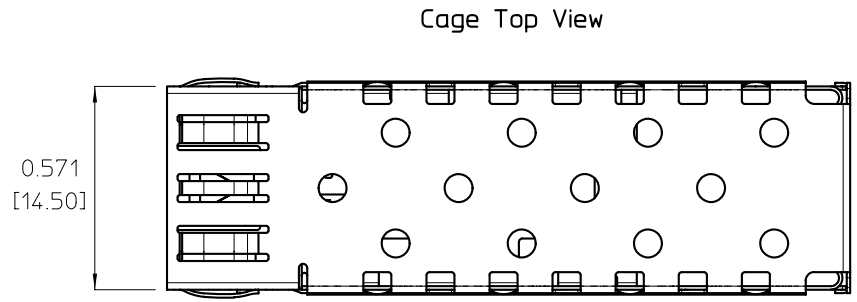
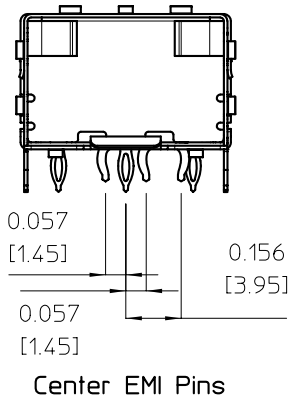
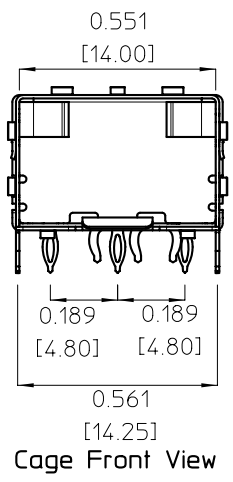
Two Point EMI Spring Contact

Three Center EMI Pins

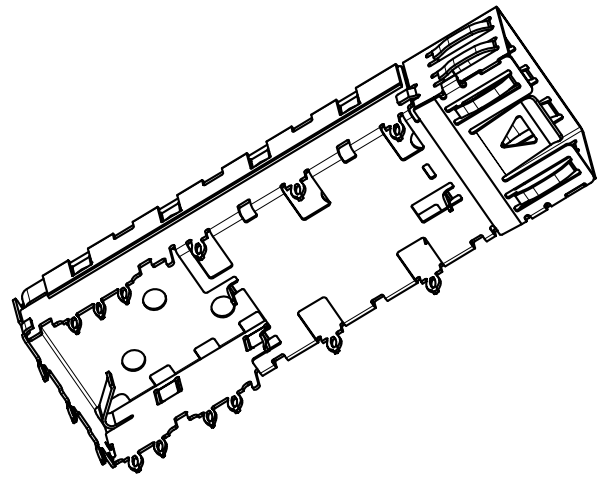
Fifteen press-fit (compliant) pins

Material full-hard, tin plated
brass or bronze .010" thick.

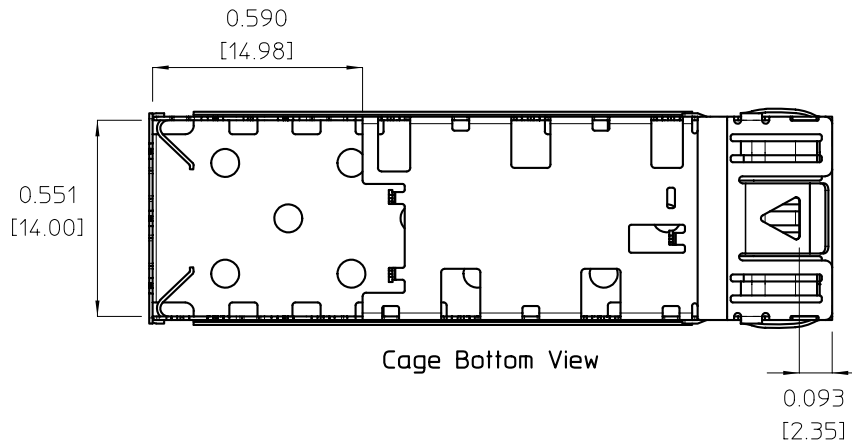
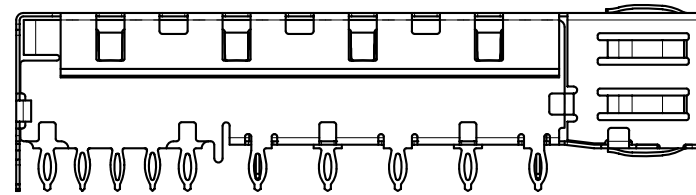
EC NO: UDT2002-0009 DRWN: DIRKERS 2001/07/02 CHKD: DIRKERS 2001/07/02 APPR: BRUSSELL 2001/07/03	QUALITY SYMBOLS ▽ = 0 ▽ = 0	GENERAL TOLERANCES (UNLESS SPECIFIED) 4 PLACES ± .005 ± .005 3 PLACES ± .005 ± .002 2 PLACES ± .005 ± .005 1 PLACE ± 0.05 ± .005 ANGULAR ± 1/2°	SCALE 3:1 DESIGN UNITS METRIC DIMENSION STYLE IN/MM DRAWN BY DATE DIRKERS 2001/07/02 CHECKED BY DATE DIRKERS 2001/07/02 APPROVED BY DATE	THIRD ANGLE PROJECTION REVISE ON CAD ONLY TITLE SFP CAGE ASSEMBLY 15 PRESS-FIT LEGS AND 3 EMI CLIPS MOLEX INCORPORATED MATERIAL NO 73927-0009 DOCUMENT NO SD-73927-009 SHEET NO 1 OF 6
		DRAFT WHERE APPLICABLE MUST REMAIN WITHIN DIMENSIONS	THIS DRAWING CONTAINS INFORMATION THAT IS PROPRIETARY TO MOLEX INCORPORATED AND SHOULD NOT BE USED WITHOUT WRITTEN PERMISSION	



EC NO: UDT2002-0009 DRWN: DIRKERS 2001/07/02 CHKD: DIRKERS 2001/07/02 APPR: BRUSSELL 2001/07/03	QUALITY SYMBOLS ▽ = 0 ▽ = 0	GENERAL TOLERANCES (UNLESS SPECIFIED) 4 PLACES ± --- ± --- 3 PLACES ± --- ± .002 2 PLACES ± --- ± --- 1 PLACE ± 0.05 ± --- ANGULAR ± 1/2°	SCALE 5:1 DESIGN UNITS METRIC DIMENSION STYLE IN/MM DRAWN BY DATE DIRKERS 2001/07/02 CHECKED BY DATE DIRKERS 2001/07/02 APPROVED BY DATE	THIRD ANGLE PROJECTION REVISE ON CAD ONLY TITLE SFP CAGE ASSEMBLY 15 PRESS-FIT LEGS AND 3 EMI CLIPS MOLEX INCORPORATED
	DRAFT WHERE APPLICABLE MUST REMAIN WITHIN DIMENSIONS	MATERIAL NO 73927-0009 DOCUMENT NO SD-73927-009 SHEET NO 2 OF 6		
	THIS DRAWING CONTAINS INFORMATION THAT IS PROPRIETARY TO MOLEX INCORPORATED AND SHOULD NOT BE USED WITHOUT WRITTEN PERMISSION			
	B			

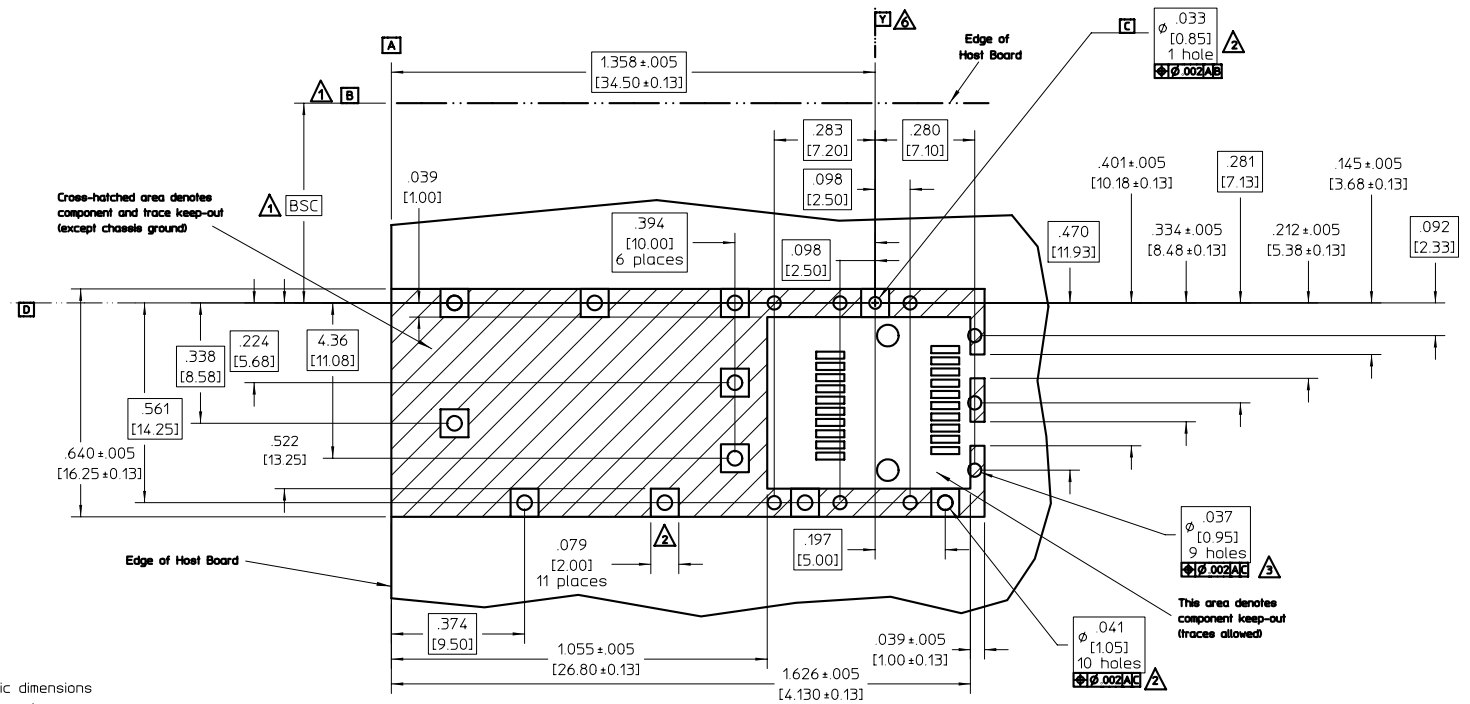


Isometric
Scale 2.5:1



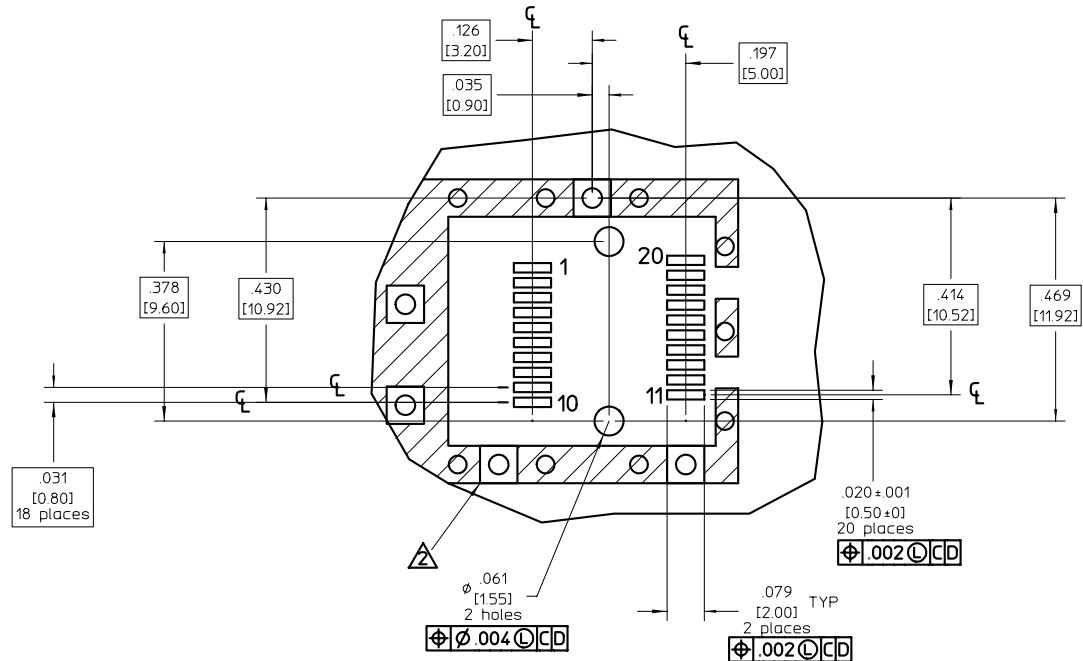
Cage Bottom View

EC NO: UDT2002-0009 DRWN: DIRKERS 2001/07/02 CHKD: DIRKERS 2001/07/02 APPR: BRUSSELL 2001/07/03	QUALITY SYMBOLS ▽ = 0 ▽ = 0	GENERAL TOLERANCES (UNLESS SPECIFIED) 4 PLACES ± --- ± --- 3 PLACES ± --- ± .002 2 PLACES ± --- ± --- 1 PLACE ± 0.05 ± --- ANGULAR ± 1/2°	SCALE 5:1 DESIGN UNITS METRIC DIMENSION STYLE IN/MM DRAWN BY DATE DIRKERS 2001/07/02 CHECKED BY DATE DIRKERS 2001/07/02 APPROVED BY DATE	THIRD ANGLE PROJECTION REVISE ON CAD ONLY TITLE SFP CAGE ASSEMBLY 15 PRESS-FIT LEGS AND 3 EMI CLIPS MOLEX INCORPORATED	SHEET NO 3 OF 6
	DRAFT WHERE APPLICABLE MUST REMAIN WITHIN DIMENSIONS	MATERIAL NO 73927-0009 DOCUMENT NO SD-73927-009	THIS DRAWING CONTAINS INFORMATION THAT IS PROPRIETARY TO MOLEX INCORPORATED AND SHOULD NOT BE USED WITHOUT WRITTEN PERMISSION		
	A	B	B		
	A	B	B		



- △ Datum and basic dimensions established by customer.
- △ Vias and pads chassis ground, plated through, 11 places. Pads optional.
- △ Holes optionally plated through.
- 4 Hole pattern allows two parts to be mounted "belly-to-belly" on .062"-.125" nom. boards. Hole layout shown for one side only. Transceiver profile determines minimum board thickness in "belly-to-belly" applications.
- △ Cage datum Y shown for reference to cage, only.

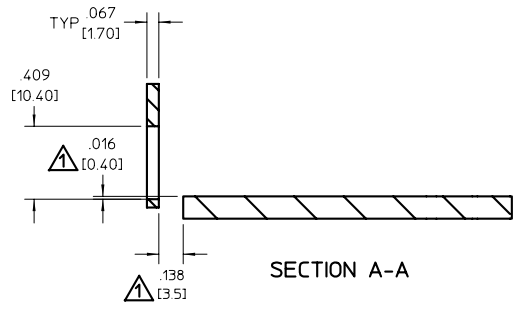
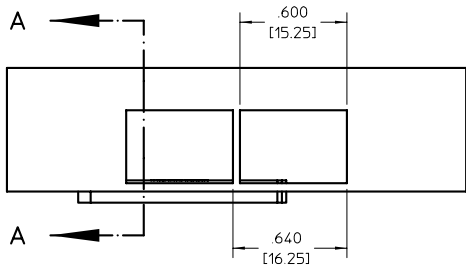
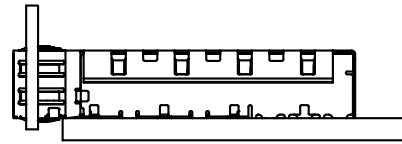
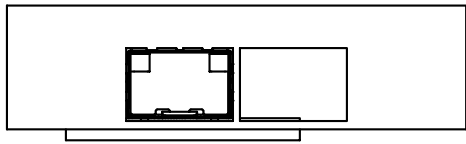
EC NO: UDT2002-0009 DRWN: DIRKERS 2001/07/02 CHKD: DIRKERS 2001/07/02 APPR: BRUSSELL 2001/07/03	QUALITY SYMBOLS	GENERAL TOLERANCES (UNLESS SPECIFIED)		SCALE 3:1	DESIGN UNITS METRIC	THIRD ANGLE PROJECTION	REVISE ON CAD ONLY
	▽ = 0	4 PLACES ± --- ± ---	mm	INCH	DIMENSION STYLE IN/MM		TITLE
	▽ = 0	3 PLACES ± --- ± .002			DRAWN BY DATE	SFP CAGE ASSEMBLY 15 PRESS-FIT LEGS AND 3 EMI CLIPS	
		2 PLACES ± --- ± ---			DIRKERS 2001/07/02	MOLEX INCORPORATED	
	1 PLACE ± 0.05 ± ---	ANGULAR ± 1/2°		CHECKED BY DATE	MATERIAL NO. DOCUMENT NO. SHEET NO.		
		DRAFT WHERE APPLICABLE MUST REMAIN WITHIN DIMENSIONS		DIRKERS 2001/07/02	73927-0009 SD-73927-009 4 OF 6		
				APPROVED BY DATE	THIS DRAWING CONTAINS INFORMATION THAT IS PROPRIETARY TO MOLEX INCORPORATED AND SHOULD NOT BE USED WITHOUT WRITTEN PERMISSION		



1 Connector pad pattern per MSA, will accommodate surface mount Molex connector 74441 or equivalent.

△ Cage mounting pads not required for press-fit application.

EC NO: UDT2002-0009 DRWN: DIRKERS 2001/07/02 CHKD: DIRKERS 2001/07/02 APPR: BRUSSELL 2001/07/03	QUALITY SYMBOLS	GENERAL TOLERANCES (UNLESS SPECIFIED)		SCALE 3:1	DESIGN UNITS METRIC	THIRD ANGLE PROJECTION	REVISE ON CAD ONLY
	▽ = 0	4 PLACES ± ---	INCH ± ---	DIMENSION STYLE IN/MM		TITLE SFP CAGE ASSEMBLY 15 PRESS-FIT LEGS AND 3 EMI CLIPS	
	∇ = 0	3 PLACES ± ---	± .002	DRAWN BY DIRKERS	DATE 2001/07/02	MOLEX INCORPORATED	
		2 PLACES ± ---	± ---	CHECKED BY DIRKERS	DATE 2001/07/02	MATERIAL NO 73927-0009	DOCUMENT NO SD-73927-009
		1 PLACE ± 0.05	± ---	APPROVED BY	DATE	THIS DRAWING CONTAINS INFORMATION THAT IS PROPRIETARY TO MOLEX INCORPORATED AND SHOULD NOT BE USED WITHOUT WRITTEN PERMISSION	
		ANGULAR ± 1/2°		DRAFT WHERE APPLICABLE MUST REMAIN WITHIN DIMENSIONS			



1. Relational geometry per MSA standard.

EC NO: UDT2002-0009 DRWN: DIRKERS 2001/07/02 CHKD: DIRKERS 2001/07/02 APPR: BRUSSELL 2001/07/03	QUALITY SYMBOLS ▽ = 0 ▽ = 0	GENERAL TOLERANCES (UNLESS SPECIFIED) <table border="1"> <tr> <td></td> <td>mm</td> <td>INCH</td> </tr> <tr> <td>4 PLACES</td> <td>± ---</td> <td>± ---</td> </tr> <tr> <td>3 PLACES</td> <td>± ---</td> <td>± .002</td> </tr> <tr> <td>2 PLACES</td> <td>± ---</td> <td>± ---</td> </tr> <tr> <td>1 PLACE</td> <td>± 0.05</td> <td>± ---</td> </tr> </table>		mm	INCH	4 PLACES	± ---	± ---	3 PLACES	± ---	± .002	2 PLACES	± ---	± ---	1 PLACE	± 0.05	± ---	SCALE 3:1 DESIGN UNITS METRIC DIMENSION STYLE IN/MM DRAWN BY DIRKERS DATE 2001/07/02 CHECKED BY DIRKERS DATE 2001/07/02 APPROVED BY DATE	THIRD ANGLE PROJECTION REVISIONS TITLE SFP CAGE ASSEMBLY 15 PRESS-FIT LEGS AND 3 EMI CLIPS MOLEX INCORPORATED	REVISE ON CAD ONLY SHEET NO. 6 OF 6 DOCUMENT NO. SD-73927-009 MATERIAL NO. 73927-0009
		mm	INCH																	
	4 PLACES	± ---	± ---																	
	3 PLACES	± ---	± .002																	
2 PLACES	± ---	± ---																		
1 PLACE	± 0.05	± ---																		
DRAFT WHERE APPLICABLE MUST REMAIN WITHIN DIMENSIONS	THIS DRAWING CONTAINS INFORMATION THAT IS PROPRIETARY TO MOLEX INCORPORATED AND SHOULD NOT BE USED WITHOUT WRITTEN PERMISSION																			