

PLEASE CHECK WWW.MOLEX.COM FOR LATEST PART INFORMATION

Part Number: **0737720002**
Status: **Contact Molex**
Description: Crimp Ferrule for MicroCross™ P&D Shield Kit, 8.17-9.00mm (.322-.354") Cable Diameter Range

Documents:

[3D Model](#)
[Drawing \(PDF\)](#)

[RoHS Certificate of Compliance \(PDF\)](#)

General

Product Family	Accessories
Series	73772
Application Tooling Part Link	622018000
Comments	71755-1001 MicroCross™ EMI Shield Kit
Component Type	Crimp Ferrule
Product Name	MicroCross™P&D

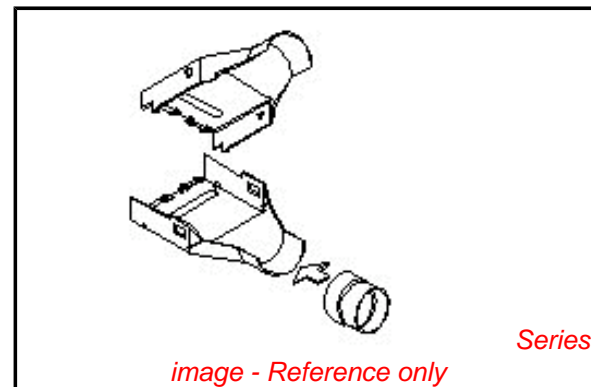
Physical

Circuits (Loaded)	N/A
Lock to Mating Part	No
Packaging Type	Bag

Material Info

Reference - Drawing Numbers

Sales Drawing	SD-73772-000
---------------	--------------



EU RoHS

**ELV and RoHS
Compliant**

REACH SVHC

Not Reviewed

Low-Halogen Status

Not Reviewed

China RoHS



**Need more information on product
environmental compliance?**

Email productcompliance@molex.com
 For a multiple part number RoHS Certificate of Compliance, [click here](#)

Please visit the [Contact Us](#) section for any non-product compliance questions.

Search Parts in this Series

[73772Series](#)

Use With

[71796](#) Metrec™ edge card connector

Application Tooling | FAQ

Tooling specifications and manuals are found by selecting the products below. Crimp Height Specifications are then contained in the Application Tooling Specification document.

Global

Description	Product #
DVI MicroCross Ferrule Crimp Tool Kit for the 11-31-6356 Molex Arbor Press	0622018000