

PLEASE CHECK WWW.MOLEX.COM FOR LATEST PART INFORMATION

Part Number: [0734200790](#)
Status: **Active**
Overview: SMP-MAX Board-to-Board RF Connectors
Description: 50 Ohms, SMP Max Plug Thread-in Catchers Mitt

Documents:

3D Model	Drawing (PDF)
3D Model (PDF)	RoHS Certificate of Compliance (PDF)

General

Product Family	RF/Coax Connectors
Series	73420
Overview	SMP-MAX Board-to-Board RF Connectors
Product Name	SMP-MAX
Type	Subminiature
UPC	887191276700
Wire/Cable Type	N/A

Physical

Gender	Plug
Keying to Mating Part	None
Net Weight	2.128/g
Orientation	Straight
PCB Mounting	N/A
Packaging Type	Bag
Panel Mount	Yes
Panel Mount Method	Thread-In
Reverse Polar	No

Electrical

Frequency	6 GHz
Impedance	50Ω
Power / Voltage	VOLTAGE: 330 Vrms@Sea Level

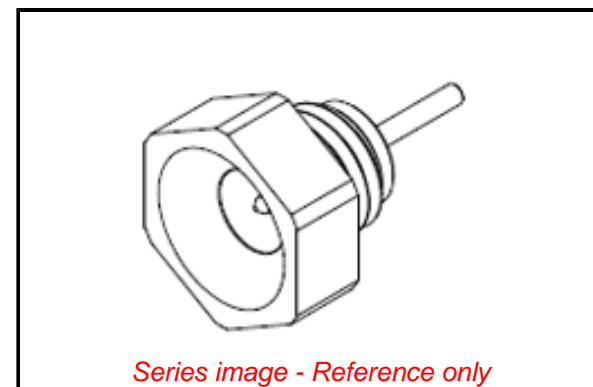
Solder Process Data

Duration at Max. Process Temperature (seconds)	010
Lead-freeProcess Capability	REFLOW
Max. Cycles at Max. Process Temperature	002
Process Temperature max. C	260

Material Info

Reference - Drawing Numbers

Sales Drawing	SD-73420-079
---------------	--------------



EU ELV

Not Relevant

EU RoHS

Compliant with Exemption 6(c)

REACH SVHC

Contained Per -
D(2020)9139-DC (19
Jan 2021)
lead

Halogen-Free

Status

Low-Halogen

For more information, please visit [Contact US](#)

China ROHS

ELV

RoHS Phthalates

China RoHS

50 Image

Not Relevant

Not Contained

Search Parts in this Series

[73420 Series](#)

PLEASE CHECK WWW.MOLEX.COM FOR LATEST PART INFORMATION