

PLEASE CHECK WWW.MOLEX.COM FOR LATEST PART INFORMATION

Part Number: [0731385033](#)
Status: **Active**
Overview: [BNC RF Connectors](#)
Description: BNC 50 Ohm, Right-Angle, PCB Bulkhead Jack Receptacle, Die Cast Zinc Alloy Body, Nickel Plated

Documents:

[Drawing \(PDF\)](#) [RoHS Certificate of Compliance \(PDF\)](#)

General

Product Family	RF/Coax Connectors
Series	73138
MolexKits	Yes
Overview	BNC RF Connectors
Product Name	BNC
Style	PCB
UPC	800753691698
Wire/Cable Type	N/A

Physical

Cable Attachment	N/A
Gender	Jack
Keying to Mating Part	None
Net Weight	22.183/g
Orientation	Right Angle
PCB Mounting	Through Hole
PCB Thickness - Recommended	3.20mm
Packaging Type	Bag
Panel Mount	Yes
Panel Mount Method	Bulkhead

Electrical

Impedance	50Ω
-----------	-----

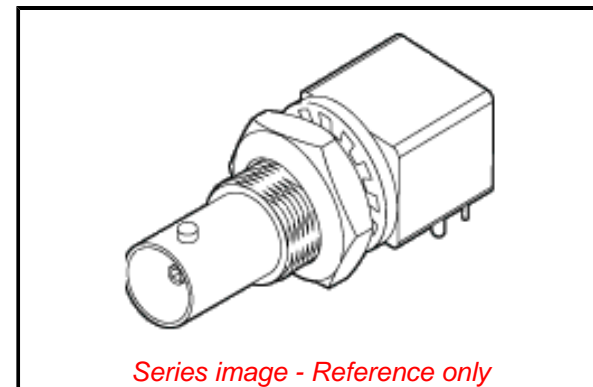
Solder Process Data

Lead-freeProcess Capability	WAVE
Process Temperature max. C	245

Material Info

Reference - Drawing Numbers

Sales Drawing	SD-73138-5033
---------------	---------------



EU ELV

Not Relevant

EU RoHS

Compliant with Exemption 6(c)

REACH SVHC

Not Contained Per - ED/30/2017 (7 July 2017)

Halogen-Free

Status

Not Low-Halogen

Need more information on product environmental compliance?

Email productcompliance@molex.com
Please visit the [Contact Us](#) section for any non-product compliance questions.

China ROHS	50 Image
ELV	Not Relevant
RoHS Phthalates	Not Contained

Search Parts in this Series

[73138 Series](#)

PLEASE CHECK WWW.MOLEX.COM FOR LATEST PART INFORMATION