

PLEASE CHECK WWW.MOLEX.COM FOR LATEST PART INFORMATION

Part Number: [0731315003](#)
Status: **Active**
Overview: [BNC RF Connectors](#)
Description: BNC 50 Ohm, Vertical PCB Bulkhead Jack Receptacle, Panel Isolated, Black PBT Housing

Documents:

[Drawing \(PDF\)](#) [RoHS Certificate of Compliance \(PDF\)](#)

General

Product Family	RF/Coax Connectors
Series	73131
Overview	BNC RF Connectors
Product Name	BNC
Style	PCB
UPC	800753535800
Wire/Cable Type	N/A

Physical

Cable Attachment	N/A
Gender	Jack
Keying to Mating Part	None
Net Weight	15.295/g
Orientation	Straight
PCB Mounting	Through Hole
PCB Thickness - Recommended	3.20mm
Packaging Type	Tray
Panel Mount	Yes
Panel Mount Method	Bulkhead
Reverse Polar	No

Electrical

Impedance	50Ω
-----------	-----

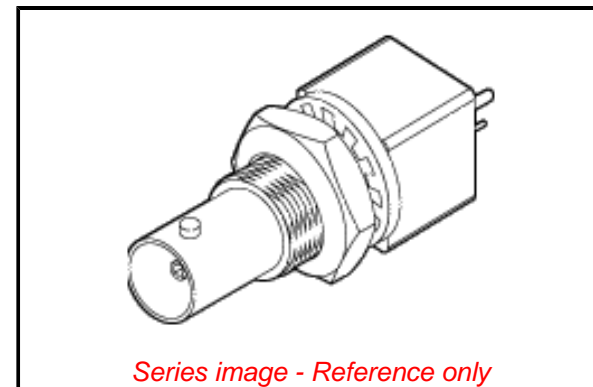
Solder Process Data

Lead-freeProcess Capability	WAVE
Max. Cycles at Max. Process Temperature	002
Process Temperature max. C	245

Material Info

Reference - Drawing Numbers

Sales Drawing	SD-73131-5003
---------------	---------------



Series image - Reference only

EU ELV

Not Relevant

EU RoHS

Compliant with Exemption 6(c)

REACH SVHC

Contained Per - ED/30/2017 (7 July 2017)
2,4-Di-tert-butyl-6-(5-chlorobenzotriazol-2-yl)p

Halogen-Free

Status

Not Low-Halogen

Need more information on product environmental compliance?

Email productcompliance@molex.com
Please visit the [Contact Us](#) section for any non-product compliance questions.

China ROHS	50 Image
ELV	Not Relevant
RoHS Phthalates	Not Contained

Search Parts in this Series

[73131](#) Series

PLEASE CHECK WWW.MOLEX.COM FOR LATEST PART INFORMATION