

MATERIALS AND FINISHES

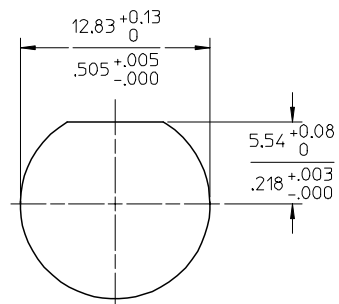
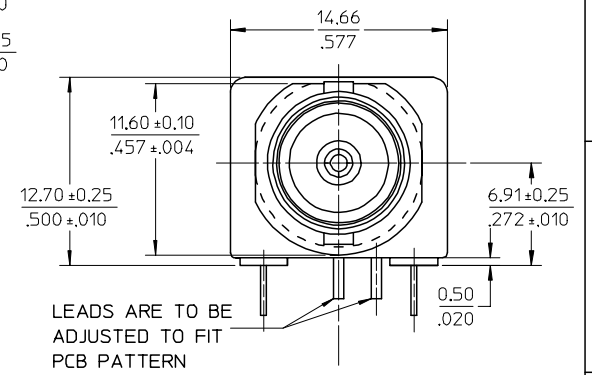
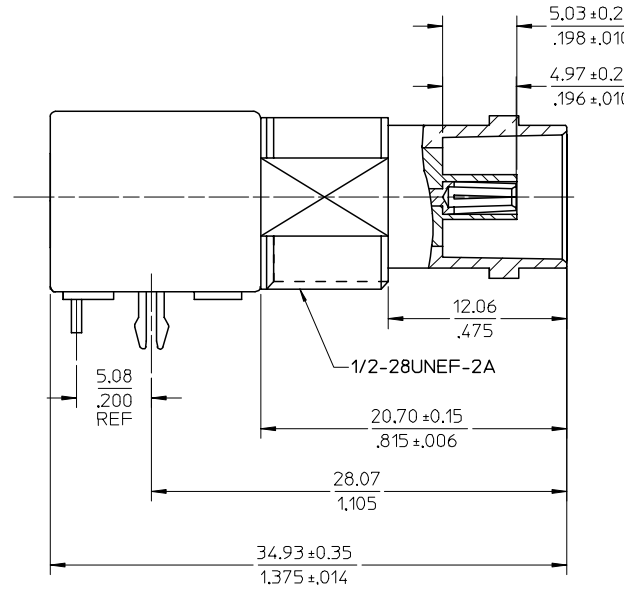
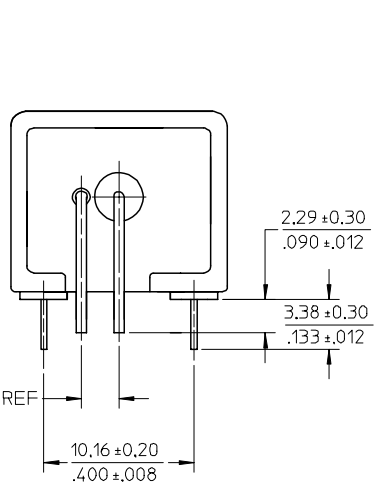
BODY ZINC ALLO
NICKEL PLATED 70 MICROINCHES MIN

CENTER CONTACT PHOSPHOR BRONZE
GOLD PLATED 10 MICROINCHES MIN

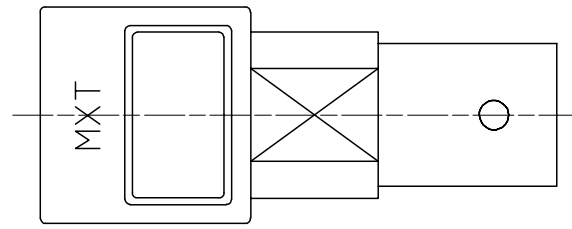
INSULATOR
POLYPROPYLENE (94V2)

BOARD LOCK PHOSPHOR BRONZE
TIN PLATED 200 MICROINCHES MIN

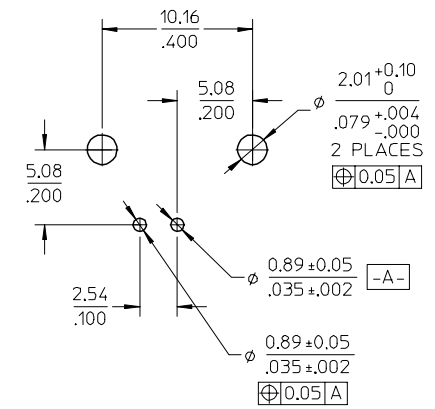
SOLDER TAIL COPPER OVER STEEL
TIN PLATED 200 MICROINCHES MIN



RECOMMENDED MOUNTING HOLE
MAXIMUM PANEL THICKNESS: 5.40mm
RECOMMENDED MOUNTING TORQUE:
12 INCH-POUNDS MAX.



TOP VIEW



RECOMMENDED PCB HOLE CONFIGURATION

PART # 73101-0570

PS-73598-0051	PRODUCT SPECIFICATION
SPECIFICATION	DESCRIPTION

ENTER DESCRIPTION	2004/10/05
EC NO: URF2005-0098	2004/10/06
DRWN:CLLI	2004/10/06
CHKD:	2004/10/06
APPR:MIUANG	2004/10/06
REV	DESCRIPTION
A	

QUALITY SYMBOLS
▽=0
▽C=0

GENERAL TOLERANCES (UNLESS SPECIFIED)
4 PLACES ± --- ± ---
3 PLACES ± --- ± ---
2 PLACES ± 0.13 ± ---
1 PLACE ± 0.25 ± ---
ANGULAR ± 2 °
DRAFT WHERE APPLICABLE MUST REMAIN WITHIN DIMENSIONS

DIMENSION STYLE	
MM/IN	
DRAWN BY	DATE
CLLI	2004/06/30
CHECKED BY	DATE
PENNY	2004/06/30
APPROVED BY	DATE
MISEN	2004/06/30
MATERIAL NO.	
73101-0570	
SIZE	
A3	

SCALE	DESIGN UNITS	THIRD ANGLE PROJECTION
1:1	METRIC	
TITLE		
75 OHM BNC R/A PCB (DIE CAST) BNC-J/PCB BNC-PCB/RA/BK		
MOLEX INCORPORATED		
DOCUMENT NO.	SHEET NO.	
SD-73101-057	1 OF 1	
THIS DRAWING CONTAINS INFORMATION THAT IS PROPRIETARY TO MOLEX INCORPORATED AND SHOULD NOT BE USED WITHOUT WRITTEN PERMISSION		