

**PLEASE CHECK WWW.MOLEX.COM FOR LATEST PART INFORMATION**

**Part Number:** [0731000097](#)  
**Status:** **Active**  
**Overview:** [SMB RF Connectors](#)  
**Description:** 50 Ohms, SMB Right-Angle PCB, Bulkhead Jack Receptacle, 50 Pieces Per Tray

**Documents:**

[Drawing \(PDF\)](#) [RoHS Certificate of Compliance \(PDF\)](#)  
[Product Specification PS-73598-0099 \(PDF\)](#)

**General**

Product Family	RF/Coax Connectors
Series	<a href="#">73100</a>
Comments	Feed-Through
Overview	<a href="#">SMB RF Connectors</a>
Product Name	SMB
Style	PCB
UPC	800753686342
Wire/Cable Type	N/A

**Physical**

Gender	Jack
Keying to Mating Part	None
Net Weight	4.685/g
Orientation	Right Angle
PCB Mounting	Through Hole
PCB Thickness - Recommended	2.40mm
Packaging Type	Tray
Panel Mount	Yes
Panel Mount Method	Bulkhead
Reverse Polar	No

**Electrical**

Impedance	50Ω
-----------	-----

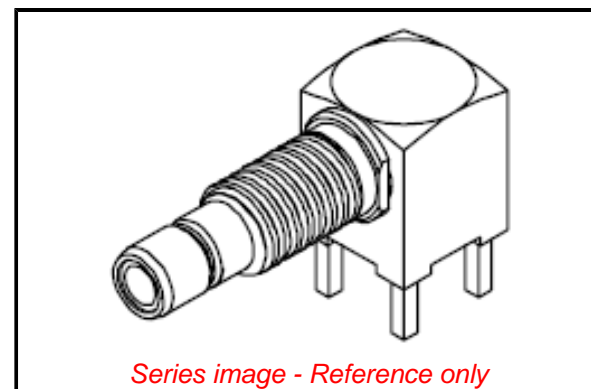
**Solder Process Data**

Duration at Max. Process Temperature (seconds)	010
Lead-freeProcess Capability	SMC&WAVE
Max. Cycles at Max. Process Temperature	002
Process Temperature max. C	260

**Material Info**

**Reference - Drawing Numbers**

Product Specification	PS-73598-0099
Sales Drawing	SD-73100-0097



*Series image - Reference only*

**EU ELV**

**Not Relevant**

**EU RoHS**

**Compliant with Exemption 6(c)**

**REACH SVHC**

Not Contained Per - ED/30/2017 (7 July 2017)

**Halogen-Free**

**Status**

**Low-Halogen**

**Need more information on product environmental compliance?**

Email [productcompliance@molex.com](mailto:productcompliance@molex.com)  
Please visit the [Contact Us](#) section for any non-product compliance questions.

China ROHS	50 Image
ELV	Not Relevant
RoHS Phthalates	Not Contained

**Search Parts in this Series**

[73100 Series](#)