

PLEASE CHECK WWW.MOLEX.COM FOR LATEST PART INFORMATION

Part Number: [0731000015](#)
Status: **Active**
Overview: [BNC RF Connectors](#)
Description: 50 Ohms, BNC Right-Angle Plug, Crimp, RG-141, RG-303 and RG-58 Cable, Solder Center Contact Termination

Documents:

[Drawing \(PDF\)](#) [RoHS Certificate of Compliance \(PDF\)](#)

General

Product Family	RF/Coax Connectors
Series	73100
Overview	BNC RF Connectors
Product Name	BNC
Style	Cable
UPC	756054334782
Wire/Cable Type	RG-141, RG-303, RG-58

Physical

Gender	Plug
Keying to Mating Part	None
Orientation	Right Angle
PCB Mounting	N/A
Packaging Type	Tray
Panel Mount	No
Panel Mount Method	N/A
Reverse Polar	No

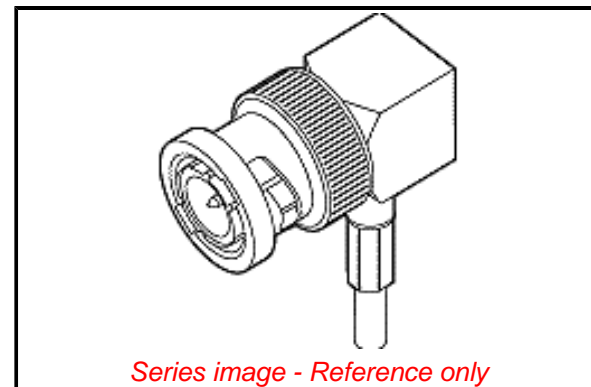
Electrical

Impedance	50Ω
-----------	-----

Material Info

Reference - Drawing Numbers

Sales Drawing	SD-73100-0015
---------------	---------------



Series image - Reference only

EU ELV

Not Reviewed

EU RoHS

Not Reviewed

REACH SVHC

Not Reviewed

Halogen-Free

Status

Not Reviewed

Need more information on product environmental compliance?

Email productcompliance@molex.com
Please visit the [Contact Us](#) section for any non-product compliance questions.

China ROHS	Not Reviewed
ELV	Not Reviewed
RoHS Phthalates	Not Reviewed

China RoHS

Search Parts in this Series

[73100 Series](#)

PLEASE CHECK WWW.MOLEX.COM FOR LATEST PART INFORMATION