



Description

The model 710 AC hour meters and minute meters are widely used in panel applications where number size and visibility are critical. Its tough, Lexan bezel and distinctive styling enhance appearance and durability. Available in 5 figure reset or 6 figure non-reset versions.

Features

- Large figures
- Tough, Lexan case
- Reset or non-reset

Options

- Private label faceplates
- Bracket mount
- Mounting bracket (721-0003)
- Splash proof kit (721-0017)
- Heavy duty splash proof kit (721-0018)
- Gasket (17210-004s)

Specifications

**Figures:** 5 figures, 9999.9 (reset) or 6 figure, 99999.9 (non-reset), 0.19" [5mm] high  
**Reset:** Reset (on front or side) or non-reset  
**Voltages:** 24, 115 or 230VAC, (+/-10%), 50 or 60 Hz.  
**Power:** 3 watts (nominal)  
**Mounting:** Panel (3-hole)

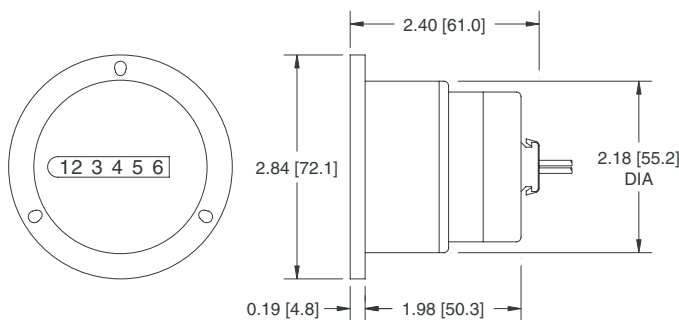
**Terminations:** 8" [203.2mm] wire leads or terminal block  
**Temp. Range:** -20°F to +160°F [-29°C to +71°C]  
**Approvals:** UL Recognized, CSA Certified, CE Compliant  
**Weight:** 6 oz. [170g]

| Models          | Description  | Models          | Description   |
|-----------------|--|-----------------|---|
| <b>710-0001</b> | 115VAC/60Hz, non-reset, 99,999.9 hrs, 8" [203mm] wire leads  | <b>710-0014</b> | 230VAC/60Hz, non-reset, 99,999.9 hrs, terminal block        |
| <b>710-0002</b> | 115VAC/60Hz, non-reset, 99,999.9 hrs, terminal block         | 710-0018        | 115VAC/60Hz, non-reset, 99,999.9 min, 8" [203mm] wire leads |
| <b>710-0003</b> | 230VAC/60Hz, non-reset, 99,999.9 hrs, 8" [203mm] wire leads  | 710-0024        | 24VAC/60Hz, non-reset, 99,999.9 hrs, terminal block         |
| <b>710-0006</b> | 24VAC/60Hz, non-reset, 99,999.9 hrs, 8" [203mm] wire leads   | <b>710-0026</b> | 115VAC/50Hz, non-reset, 99,999.9 hrs, terminal block        |
| 710-0008        | 115VAC/60Hz, non-reset, 99,999 hrs, 8" [203mm] wire leads    | <b>710-0032</b> | 115VAC/60Hz, front reset, 9,999.9 hrs, terminal block       |
| <b>710-0009</b> | 115VAC/50Hz, non-reset, 99,999.9 hrs, 8" [203mm] wire leads  | 710-0051        | 115VAC/60Hz, non-reset, 99,999 hrs, terminal block          |
| <b>710-0013</b> | 115VAC/60Hz, front reset, 9,999.9 hrs, 8" [203mm] wire leads |                 |   |

\* Items in bold are normally in factory stock.

Dimensions

8" [203mm] Wire Leads



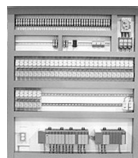
Mounting holes: For #4 screws on 2.44" [62.0] B.C.  
 and #6 screws on 2.53" [64.3] B.C.  
 Panel cutout: 2.21" [56.1] Dia.

Applications

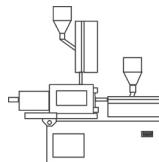
Office equipment



Control panels



Industrial equipment



Test equipment



Compressors

