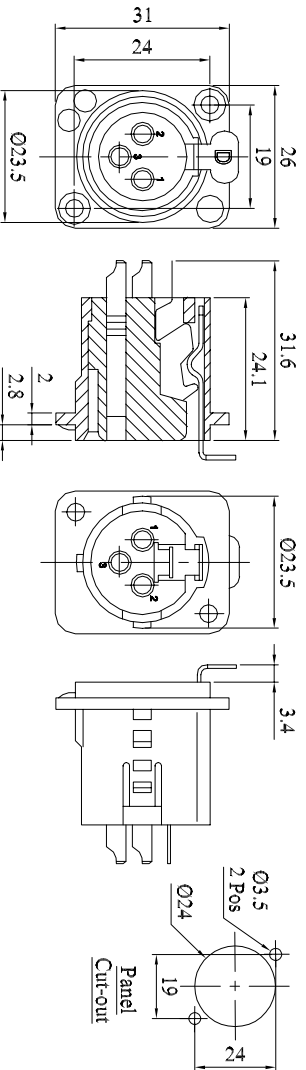


The 7000 Universal Range of Audio and Video Connectors employs many innovative features unique to the Deltron series. They are suitable for use in both commercial and industrial electronics applications, where reliability, simple operation and the elimination of RF and mechanical interference is necessary. Common uses include mixing desks, tape recorders, video recorders, DAT recorders and test instrumentation.

- Completely interchangeable with all leading manufacturers of XLRs.
- HOUSING: a rugged diecasting offering full RF protection, with a small industrial standard flange.
- INSERT: thermoplastic with high mechanical, thermal and electrical properties excellent chemical resistance, and dimensional stability.
- CONTACTS: precision machined in brass with generous solder buckets to accept a wide range of cable sizes.
- LATCHING: a unique design with minimum press action offering the widest latching area for positive locking ad straight through grounding.
- CODING: a unique interchangeable system of coloured plastic buttons providing a quick and easy system of identification (when the connector is front mounted).
- a short press action and compact design means minimum protraction from the front panel.

**Dimensions**



Deltron Part No	Silver Contacts		Gold Contacts	
	Nickel	Black	Nickel	Black
3-Way	716-0300	718-0300	722-0300	724-0300
4-Way	716-0400	718-0400	722-0400	724-0400
5-Way	716-0500	718-0500	722-0500	724-0500

<b>Mechanical Properties</b>	Zinc high pressure diecasting satin nickel or black chrome Valox DR48 (UL94 V-0)
<b>Housing</b>	Brass, 3 microns silver anti-tarnish finish, or 0.5 microns gold plate
<b>Contact base</b>	Spring steel, nickel plate
<b>Contacts</b>	3 microns silver plate
<b>Push lever</b>	Spring steel, nickel plate
<b>Earth tag</b>	Spring steel, nickel plate
<b>Ident buttons</b>	3 microns silver plate
<b>Ident options</b>	Acetal (UL 94 HB) Black, Brown, Red, Orange, Yellow, Green, Blue, Violet, Grey, White
<b>Operating Temp</b>	-30°C to +80°C
<b>Insertion force</b>	20N
<b>Withdrawal force</b>	10N
<b>Min No. insertions</b>	10,000
<b>Electrical Properties</b>	
<b>Number of contacts</b>	3, 4 or 5
<b>Rated current per contact</b>	16, 10, 7.5 Amps
<b>Maximum wire size (solid)</b>	10, 13 or 14 AWG
<b>Cap. Between contacts</b>	6, 3 or 2.5 mm <sup>2</sup>
<b>Rated voltage</b>	4, 7 or 7 pF
<b>Test voltage</b>	250 Volts ac
<b>Contact resistance</b>	1500 Volts ac
<b>Insulation resistance</b>	3m Ω
	1G Ω

CONVERTED FROM PS0631 ISS6 (07.08.95) IN JAN 2003

Drgn No 716-718-722-724 TITLE UNIVERSAL - CHASSIS SOCKETS

ALL DIMENSIONS IN MM  
ANGLES IN DECIMAL DEGREES



GENERAL SPECIFICATION  
FOR MULTIPLE CONNECTOR

CUSTOMER  
Aprvd Date 04/02/03 Aprvd By MC

FILTER REF  
BS

Scale: NTS Sheet 1 / 1

