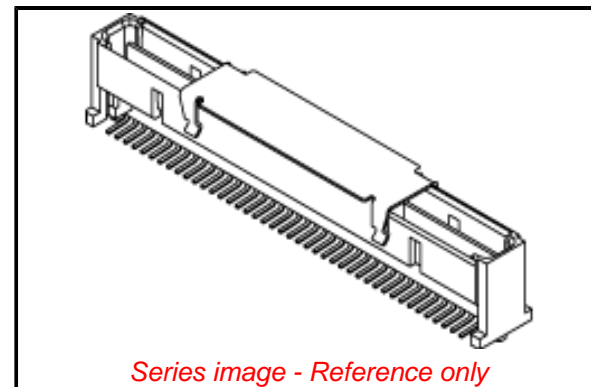


PLEASE CHECK WWW.MOLEX.COM FOR LATEST PART INFORMATION

Part Number: [0717410001](#)
Status: **Active**
Overview: [PMC Mezzanine Connectors](#)
Description: 1.00mm Pitch Mezzanine Plug, Surface Mount, Dual Row, Vertical Stacking, 84 Circuits, 8.30mm Unmated Height, with PCB Locator Pegs, without Robotic Placement Metal Cap, 0.25µm Gold (Au) Selective Plating, Tube Packaging

Documents:

[3D Model](#) [Packaging Specification PK-70873-063 \(PDF\)](#)
[Drawing \(PDF\)](#) [RoHS Certificate of Compliance \(PDF\)](#)
[Product Specification PS-71741-9999-001 \(PDF\)](#)



Agency Certification

CSA LR19980
 UL E29179

General

Product Family PCB Headers
 Series [71741](#)
 Application Board-to-Board, Signal
 Overview [PMC Mezzanine Connectors](#)
 Product Name PMC Mezzanine
 UPC 800753524491

Physical

Breakaway No
 Circuits (Loaded) 84
 Circuits (maximum) 84
 Color - Resin Natural
 Flammability 94V-0
 Glow-Wire Compliant No
 Lock to Mating Part None
 Mated Height 10.00mm, 15.00mm
 Material - Metal Phosphor Bronze
 Material - Plating Mating Gold
 Material - Plating Termination Tin
 Material - Resin High Temperature Thermoplastic
 Net Weight 1.168/g
 Number of Rows 2
 Orientation Vertical
 PCB Locator Yes
 PCB Retention None
 Packaging Type Tube
 Pitch - Mating Interface 1.00mm
 Plating min - Mating 0.254µm
 Plating min - Termination 1.016µm
 Shrouded Fully
 Stackable No
 Temperature Range - Operating -55°C to +85°C
 Termination Interface: Style Surface Mount

Electrical

Current - Maximum per Contact 1.0A
 Voltage - Maximum 100V

Solder Process Data

Duration at Max. Process Temperature (seconds) 040
 Lead-freeProcess Capability REFLOW

EU ELV

Not Relevant

EU RoHS

Compliant

REACH SVHC

Not Contained Per
 -ED/01/2017 (12
 January 2017)

Halogen-Free

Status

Low-Halogen

**Need more information on product
 environmental compliance?**

Email productcompliance@molex.com
 Please visit the [Contact Us](#) section for any
 non-product compliance questions.

China ROHS	Green Image
ELV	Not Relevant
RoHS Phthalates	Not Contained

Search Parts in this Series

[71741](#) Series

Mates With

[71742](#) 1.00mm Pitch Mezzanine Receptacle.
 Be sure to match like stack heights

Max. Cycles at Max. Process Temperature	003
Process Temperature max. C	260

Material Info

Reference - Drawing Numbers

Packaging Specification	PK-70873-063
Product Specification	PS-71741-9999-001
Sales Drawing	SDA-71741-0***

This document was generated on 07/28/2017

PLEASE CHECK WWW.MOLEX.COM FOR LATEST PART INFORMATION