

**PLEASE CHECK WWW.MOLEX.COM FOR LATEST PART INFORMATION**

**Part Number:** [0713491086](#)  
**Status:** **Active**  
**Overview:** C-Grid® Products  
**Description:** 2.54mm Pitch C-Grid® Header, Surface Mount, Dual Row, Vertical, Shrouded, 40 Circuits, 0.76µm Gold (Au) Selective Plating, without Press-fit Plastic Pegs

**Documents:**

<a href="#">3D Model</a>	<a href="#">Product Specification TS-70541-001-001 (PDF)</a>
<a href="#">Drawing (PDF)</a>	<a href="#">Packaging Specification PK-70873-0018 (PDF)</a>
<a href="#">Product Specification PS-71349-001-001 (PDF)</a>	<a href="#">RoHS Certificate of Compliance (PDF)</a>

**Agency Certification**

UL E29179

**General**

Product Family	PCB Headers
Series	<a href="#">71349</a>
Application	Signal, Wire-to-Board
Overview	<a href="#">C-Grid® Products</a>
Product Name	C-Grid®
UPC	800756095134

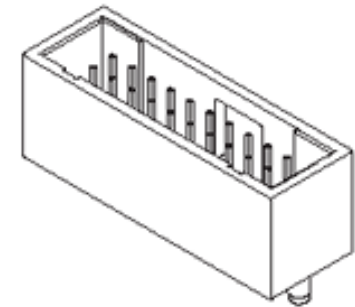
**Physical**

Breakaway	No
Circuits (Loaded)	40
Circuits (maximum)	40
Color - Resin	Black
Durability (mating cycles max)	50
First Mate / Last Break	No
Flammability	94V-0
Glow-Wire Compliant	No
Guide to Mating Part	No
Keying to Mating Part	None
Lock to Mating Part	Yes
Material - Metal	Brass, Phosphor Bronze
Material - Plating Mating	Gold
Material - Plating Termination	Tin
Material - Resin	High Temperature Thermoplastic
Number of Rows	2
Orientation	Vertical
PCB Locator	No
PCB Retention	None
Packaging Type	Tube
Pitch - Mating Interface	2.54mm
Pitch - Termination Interface	2.54mm
Plating min - Mating	0.762µm
Plating min - Termination	1.905µm
Polarized to Mating Part	Yes
Shrouded	Fully
Stackable	No
Temperature Range - Operating	-40°C to +105°C
Termination Interface: Style	Surface Mount

**Electrical**

Current - Maximum per Contact	3.0A
Voltage - Maximum	250V

**Solder Process Data**



Series image - Reference only

**EU ELV**

**Not Relevant**

**EU RoHS**

**Not Reviewed**

**REACH SVHC**

Not Reviewed

**Halogen-Free**

**Status**

**Not Reviewed**

**Need more information on product environmental compliance?**

Email [productcompliance@molex.com](mailto:productcompliance@molex.com)  
Please visit the [Contact Us](#) section for any non-product compliance questions.

China ROHS

Not Reviewed

ELV

Not Relevant

RoHS Phthalates

Not Reviewed

**Search Parts in this Series**

[71349 Series](#)

**Mates With**

[70013](#) Interim Clip, [70450](#) Version A Crimp Housing, [71850](#) Through-hole Receptacle, [71395](#) SMT Receptacle

Duration at Max. Process Temperature (seconds)	030
Lead-freeProcess Capability	REFLOW
Max. Cycles at Max. Process Temperature	003
Process Temperature max. C	245

**Material Info**

**Reference - Drawing Numbers**

Packaging Specification	PK-70873-0018
Product Specification	PS-71349-001-001, TS-70541-001-001
Sales Drawing	SDA-71349-****

This document was generated on 08/02/2017

**PLEASE CHECK [WWW.MOLEX.COM](http://WWW.MOLEX.COM) FOR LATEST PART INFORMATION**